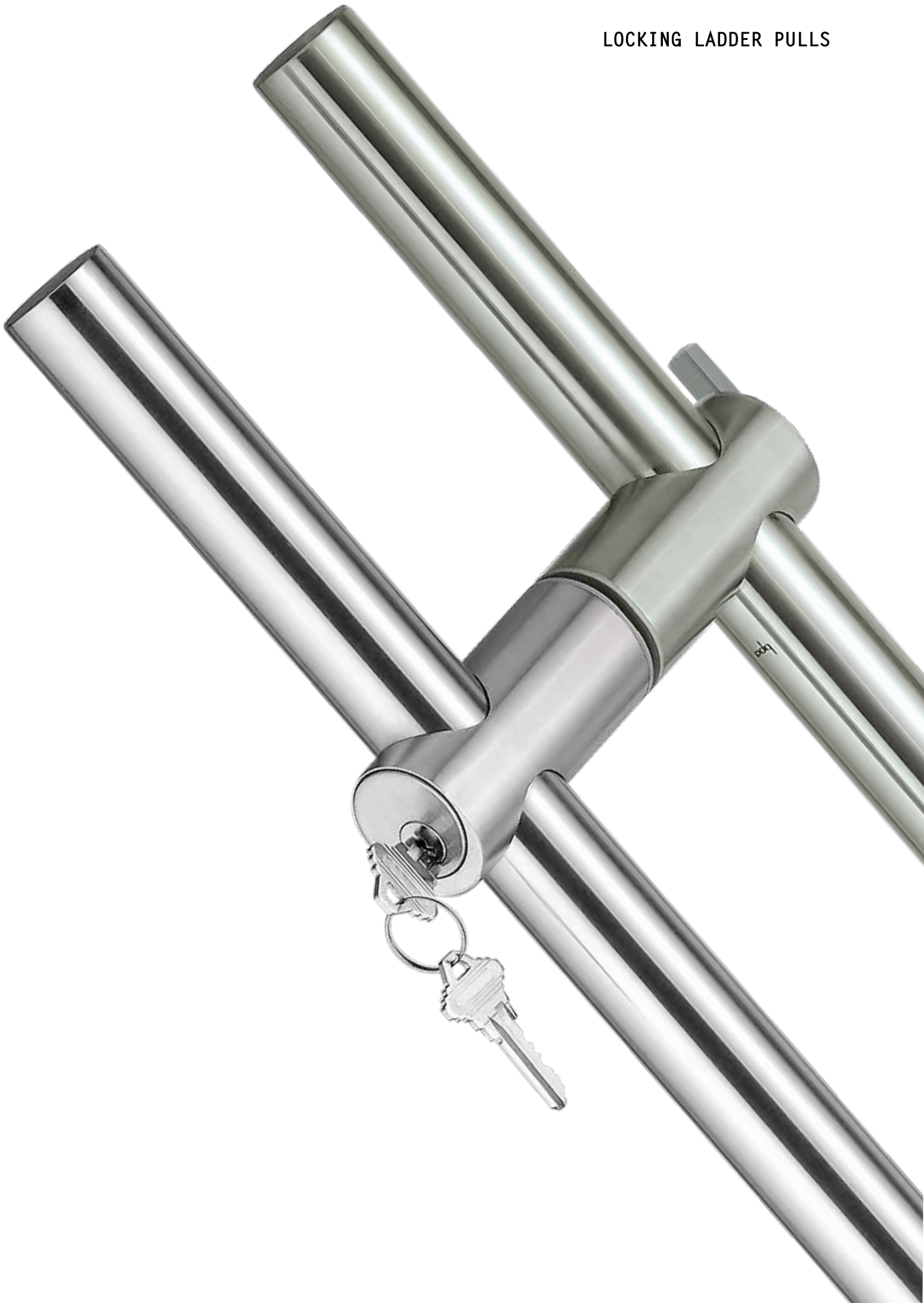


























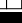














LOCKING LADDER PULLS

LOCKING LADDER PULLS



CODE	MATERIAL	FINISH		.XX	* indicative colors
KLO.V	STAINLESS	Standard:			
KLO.	STEEL	SATIN	LRV 53	.44	
KLO.Q	AISI 316L	BRIGHT	LRV 70	.43	
KLD.					
KLP.					
KLR.		POWDER-COATED	Black Ral 9005 Mat (To match with pba Black Aluminum)	.40	
			Black Ral 9005 Glossy	.26	
			White Ral 9010	.31	
			Grey	.32	
			Champagne	.38	
			Bronze	.39	
			(To match with pba Bronze Aluminum)		
			Architectural Bronze	.36	
			Medium Bronze	.56	
			Silver	.41	
			Gold	.55	
			COLORS ON REQUEST		
			TO MATCH ANY RAL #	.99	
			Screws, grub screws and plastic parts non powder-coated. Available on request depending on quantities.		
KLL.	STAINLESS	Standard:			
	STEEL	SATIN	Black PF	.4H	
	AISI 316L	+ LEATHER	Brown PF	.4P	
	+ LEATHER	BRIGHT	Black PF	.3H	
		+ LEATHER	Brown PF	.3P	
		POWDER-COATED	Black Ral 9005 Mat (To match with pba Black Aluminum)	.40	
			Black Ral 9005 Glossy	.26	
			White Ral 9010	.31	
			Grey	.32	
			Champagne	.38	
			Bronze	.39	
			(To match with pba Bronze Aluminum)		
			Architectural Bronze	.36	
			Medium Bronze	.56	
			Silver	.41	
			Gold	.55	
			White/Leather White	.31	
			Black/Leather Black	.40	
			COLORS ON REQUEST		
			TO MATCH ANY RAL #	.99	
			Screws, grub screws and plastic parts non powder-coated. Available on request depending on quantities.		
KLA.	ALUMINUM	Standard:			
		ANODIZED	Silver	.69	
		SATIN	Bronze	.67	
			Black	.68	
			Champagne	.66	
KLA.L	ALUMINUM	Standard:			
	+ LEATHER	ANODIZED	Silver	.69	 Black PF 
		SATIN	Bronze	.67	 Brown PF 
	+ LEATHER	+ LEATHER	Black	.68	
			Champagne	.66	
KLU.	COPPER	Standard:			
		SATIN COPPER		.86	

**KLO Q
LOCKING PULLS**

Stainless steel AISI 316L

page K-Lock_14

LOCKING
FULL SIZE
TOP AND
BOTTOM
LOCKING



**KLO Q
NON LOCKING PULLS**

Stainless steel AISI 316L

page K-Lock_25

NON
LOCKING
FULL SIZE



LOCKING
HALF SIZE
TOP AND
BOTTOM
LOCKING



NON
LOCKING
HALF SIZE



ADA
10"
clearance
layout

AVAILABLE ADA
VERSION

ADA
10"
clearance
layout

AVAILABLE ADA
VERSION

ADA
10"
clearance
layout

AVAILABLE ADA
VERSION

ADA
10"
clearance
layout

AVAILABLE ADA
VERSION

**KLP
LOCKING PULLS**

Stainless steel AISI 316L

page K-Lock_33



LOCKING
FULL SIZE

TOP AND
BOTTOM
LOCKING

**KLP
NON LOCKING PULLS**

Stainless steel AISI 316L

page K-Lock_42



NON
LOCKING
FULL SIZE



LOCKING
HALF SIZE

TOP AND
BOTTOM
LOCKING



NON
LOCKING
HALF SIZE

ADA
10"
clearance
layout

AVAILABLE ADA
VERSION

ADA
10"
clearance
layout

AVAILABLE ADA
VERSION

ADA
10"
clearance
layout

AVAILABLE ADA
VERSION

ADA
10"
clearance
layout

AVAILABLE ADA
VERSION

**KLO
LOCKING PULLS**

Stainless steel AISI 316L

page K-Lock_49

LOCKING
FULL SIZE
TOP AND
BOTTOM
LOCKING



**KLO
NON LOCKING PULLS**

Stainless steel AISI 316L

page K-Lock_60

NON
LOCKING
FULL SIZE



LOCKING
HALF SIZE
TOP AND
BOTTOM
LOCKING



NON
LOCKING
HALF SIZE



ADA
10"
clearance
l a y o u t

AVAILABLE ADA
VERSION

KEY
side bolt

AVAILABLE WITH
MORTISE CYLINDER
SEE page K-Lock_85

ADA
10"
clearance
l a y o u t

AVAILABLE ADA
VERSION

KEY
side bolt

AVAILABLE WITH
MORTISE CYLINDER
SEE page K-Lock_83

ADA
10"
clearance
l a y o u t

AVAILABLE ADA
VERSION

AVAILABLE WITH
DESIGN MATCHING
THE LOCKING PULL

ADA
10"
clearance
l a y o u t

AVAILABLE ADA
VERSION

AVAILABLE WITH
DESIGN MATCHING
THE LOCKING PULL

**KLR
LOCKING PULLS**

Stainless steel AISI 316L

page K-Lock_94

LOCKING
FULL SIZE

TOP AND
BOTTOM
LOCKING

**KLR
NON LOCKING PULLS**

Stainless steel AISI 316L

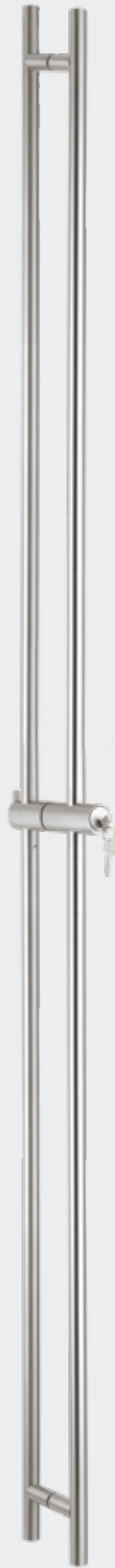
page K-Lock_101

NON
LOCKING
FULL SIZE

LOCKING
HALF SIZE

TOP AND
BOTTOM
LOCKING

NON
LOCKING
HALF SIZE



ADA
10"
clearance
layout

AVAILABLE ADA
VERSION

ADA
10"
clearance
layout

AVAILABLE ADA
VERSION

ADA
10"
clearance
layout

AVAILABLE ADA
VERSION

AVAILABLE WITH
DESIGN MATCHING
THE LOCKING PULL

ADA
10"
clearance
layout

AVAILABLE ADA
VERSION

AVAILABLE WITH
DESIGN MATCHING
THE LOCKING PULL

**KLL SPECIAL
LOCKING PULLS**

Stainless steel AISI 316L
Leather

page K-Lock_110



LOCKING
FULL SIZE

TOP AND
BOTTOM
LOCKING

**KLL SPECIAL
NON LOCKING PULLS**

Stainless steel AISI 316L
Leather

page K-Lock_117



NON
LOCKING
FULL SIZE



LOCKING
HALF SIZE

TOP AND
BOTTOM
LOCKING



NON
LOCKING
HALF SIZE

ADA
10"
clearance
l a y o u t

AVAILABLE ADA
VERSION

ADA
10"
clearance
l a y o u t

AVAILABLE ADA
VERSION

ADA
10"
clearance
l a y o u t

AVAILABLE ADA
VERSION

ADA
10"
clearance
l a y o u t

AVAILABLE ADA
VERSION

**KLO SPECIAL
LOCKING PULLS**

Stainless steel AISI 316L

page K-Lock_124

**KLO DIGITAL
LOCKING PULLS**

Stainless steel AISI 316L

page K-Lock_126



LOCKING
FULL SIZE

TOP AND
BOTTOM
LOCKING



LOCKING
HALF SIZE

BOTTOM
LOCKING



LOCKING
HALF SIZE

BOTTOM
LOCKING



LOCKING
HALF SIZE

BOTTOM
LOCKING

**KLA
LOCKING PULLS**

Aluminum

page K-Lock_129

LOCKING
FULL SIZE

TOP AND
BOTTOM
LOCKING

**KLA
NON LOCKING PULLS**

Aluminum

page K-Lock_140

NON
LOCKING
FULL SIZE

LOCKING
HALF SIZE

TOP AND
BOTTOM
LOCKING

NON
LOCKING
HALF SIZE

ADA
10"
clearance
l a y o u t

AVAILABLE ADA
VERSION

KEY
side bolt

AVAILABLE WITH
MORTISE CYLINDER
SEE page K-Lock_165

ADA
10"
clearance
l a y o u t

AVAILABLE ADA
VERSION

KEY
side bolt

AVAILABLE WITH
MORTISE CYLINDER
SEE page K-Lock_163

ADA
10"
clearance
l a y o u t

AVAILABLE ADA
VERSION

KEY
side bolt

AVAILABLE WITH
DESIGN MATCHING
THE LOCKING PULL

ADA
10"
clearance
l a y o u t

AVAILABLE ADA
VERSION

KEY
side bolt

AVAILABLE WITH
DESIGN MATCHING
THE LOCKING PULL

**KLA SPECIAL
LOCKING PULLS**

Aluminum
Leather

page K-Lock_174



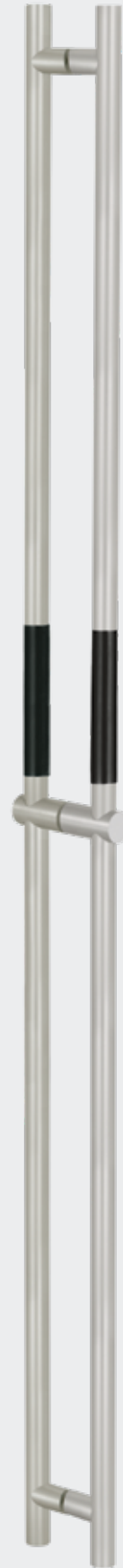
LOCKING
FULL SIZE

TOP AND
BOTTOM
LOCKING

**KLA SPECIAL
NON LOCKING PULLS**

Aluminum
Leather

page K-Lock_181



NON
LOCKING
FULL SIZE



LOCKING
HALF SIZE

TOP AND
BOTTOM
LOCKING



NON
LOCKING
HALF SIZE

ADA
10"
clearance
layout

AVAILABLE ADA
VERSION

ADA
10"
clearance
layout

AVAILABLE ADA
VERSION

ADA
10"
clearance
layout

AVAILABLE ADA
VERSION

ADA
10"
clearance
layout

AVAILABLE ADA
VERSION

**KLU
LOCKING PULLS**

Copper

page K-Lock_188

LOCKING
FULL SIZE

TOP AND
BOTTOM
LOCKING

**KLU
NON LOCKING PULLS**

Copper

page K-Lock_195

NON
LOCKING
FULL SIZE

LOCKING
HALF SIZE

TOP AND
BOTTOM
LOCKING

NON
LOCKING
HALF SIZE

ADA
10"
clearance
layout

AVAILABLE ADA
VERSION

ADA
10"
clearance
layout

AVAILABLE ADA
VERSION

ADA
10"
clearance
layout

AVAILABLE ADA
VERSION

ADA
10"
clearance
layout

AVAILABLE ADA
VERSION

**SINGLE MOTION
UNLOCKING DOOR PULLS**

Aluminum

FOR SWING DOOR - PULL
page K-Lock_204

FOR SWING DOOR - PUSH
page K-Lock_208

FOR SLIDING DOOR
page K-Lock_212

A D A
< 5 lbf



ADA
10"
clearance
l a y o u t

AVAILABLE ADA
VERSION

LEGEND
page 1

TECHNICAL REFERENCES
page K-Lock_227

PROGRAMMA K-LOCK KLO Q

PBA
PATENTED
SYSTEM

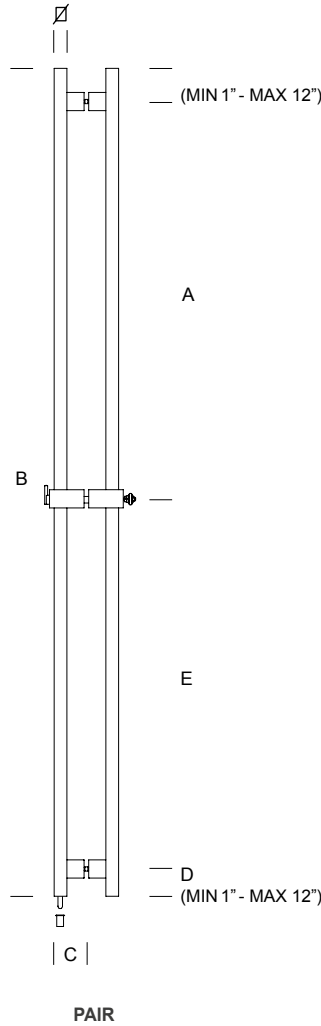


SUPPORTO
POST



CILINDRO PROFILO AMERICANO RIM
AMERICAN RIM CYLINDER

LOCKING
FULL SIZE



PBA
PATENTED
SYSTEM

PATENT
102019000012465

CYLINDER NOT INCLUDED



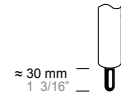
RIM CYLINDER
WITH IC



RIM CYLINDER



ADA COMPLIANT
THUMBTURN



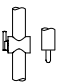



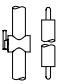

ADJUSTABLE STEEL
DEAD BOLT



DUST-FREE
FLOOR SOCKET

BRAND OF COMPATIBLE RIM CYLINDER:

- ARROW
- CORBIN RUSSWIN
- MEDECO
- SCHLAGE
- BEST
- KABAILCO
- SARGENT
- YALE

	ITEM	A	B	C	D1	D2	E	Ø
PAIR	 KLO.Q04.000U	1050 mm 41 11/32"	2200 mm 86 5/8"	82,20 mm 3 15/64"	75 mm 2 15/16"	75 mm 2 15/16"	1000 mm 39 3/8"	35x35 mm 1 3/8"x 1 3/8"
BOTTOM LOCKING	 KLO.Q04.0U72. xx	custom	1828 mm 72"	82,20 mm 3 15/64"	custom	custom	custom	35x35 mm 1 3/8"x 1 3/8"
	 KLO.Q04.0U84. xx	custom	2133 mm 84"	82,20 mm 3 15/64"	custom	custom	custom	35x35 mm 1 3/8"x 1 3/8"
	 KLO.Q04.999U. xx	custom	custom	82,20 mm 3 15/64"	custom	custom	custom	35x35 mm 1 3/8"x 1 3/8"
PAIR TOP/BOTTOM LOCKING	 KLO.Q06.000U. xx	1050 mm 41 11/32"	2200 mm 86 5/8"	82,20 mm 3 15/64"	75 mm 2 15/16"	75 mm 2 15/16"	1000 mm 39 3/8"	35x35 mm 1 3/8"x 1 3/8"
	 KLO.Q06.999U. xx	custom	custom	82,20 mm 3 15/64"	custom	custom	custom	35x35 mm 1 3/8"x 1 3/8"

.XX = FINISH CODE

STAINLESS STEEL

- .43 BRIGHT STAINLESS STEEL (ANSI/BHMA 629 - USD32)
- .44 SATIN STAINLESS STEEL (ANSI/BHMA 630 - USD32D)

STAINLESS STEEL POWDER-COATED ON REQUEST

- .40 BLACK RAL 9005 MAT - TO MATCH WITH PBA BLACK ALUMINUM
- .26 BLACK RAL 9005 GLOSSY
- .31 WHITE RAL 9010
- .32 GREY
- .38 CHAMPAGNE
- .39 BRONZE - TO MATCH WITH PBA BRONZE ALUMINUM
- .36 ARCHITECTURAL BRONZE
- .56 MEDIUM BRONZE
- .41 SILVER
- .55 GOLD

- .99 COLOURS ON REQUEST TO MATCH ANY RAL #
(screws, grub screws and plastic parts non powdercoated)
available on request depending on quantities

EDGE COMPONENT:

BLACK FOR DARK COLOR POWDER
GREY FOR LIGHT COLOR POWDER AND STAINLESS STEEL

DOOR PREPARATION DP1
page K-Lock_234

SPACERS FOR DOUBLE GLAZED DOOR
KLO.KIT.9QU4
page K-Lock_233

STRIKE DETAILS
page K-Lock_228

THESE PRODUCTS CONTRIBUTE TO **LEED®** CREDITS

THE MANUFACTURER RESERVES THE RIGHT TO ALTER, IMPROVE AND DISCONTINUE ANY FEATURES OF THE PRODUCT (MAKE CHANGES AND IMPROVEMENTS IN DESIGNS AND DIMENSIONS) WITHOUT NOTICE.

ALL DIMENSIONS IN THE CATALOG DRAWINGS ARE APPROXIMATIONS. REQUEST THE APPROPRIATE TECHNICAL DRAWING BEFORE DOOR PREPARATION AND INSTALLATION.

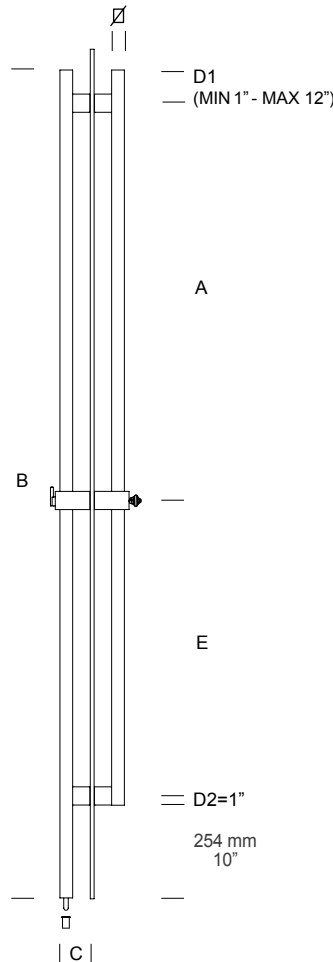


COMBINED NON LOCKING
page K-Lock_25

ITEM
KLO.QG4.000U
KLO.QG4.999U
KLO.QG4.0U72
KLO.QG4.0U84



LOCKING
FULL SIZE



ADA
10"
clearance
l a y o u t

**PBA
PATENTED
SYSTEM**

PATENT
102019000012465

CYLINDER NOT INCLUDED



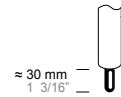
RIM CYLINDER
WITH IC



RIM CYLINDER



ADA COMPLIANT
THUMBTURN



ADJUSTABLE STEEL
DEAD BOLT



DUST-FREE
FLOOR SOCKET

BRAND OF COMPATIBLE RIM CYLINDER:

- ARROW
- CORBIN RUSSWIN
- MEDECO
- SCHLAGE
- BEST
- KABALCO
- SARGENT
- YALE

PAIR

PAIR



ITEM	A	B	C	D1	D2	E	Ø
KLO.Q04.00TU. xx	1050 mm 41 11/32"	2200 mm 86 5/8"	82,20 mm 3 15/64"	75 mm 2 15/16"	17,5 mm 11/16"	802 mm 31 9/16"	35x35 mm 1 3/8"x 1 3/8"
KLO.Q04.TU72. xx	custom	1828 mm 72"	82,20 mm 3 15/64"	custom	17,5 mm 11/16"	custom	35x35 mm 1 3/8"x 1 3/8"
KLO.Q04.TU84. xx	custom	2133 mm 84"	82,20 mm 3 15/64"	custom	17,5 mm 11/16"	custom	35x35 mm 1 3/8"x 1 3/8"
KLO.Q04.99TU. xx	custom	custom	82,20 mm 3 15/64"	custom	17,5 mm 11/16"	custom	35x35 mm 1 3/8"x 1 3/8"

BOTTOM
LOCKING

.XX = FINISH CODE

STAINLESS STEEL

- .43 BRIGHT STAINLESS STEEL (ANSI/BHMA 629 - USD32)
- .44 SATIN STAINLESS STEEL (ANSI/BHMA 630 - USD32D)

STAINLESS STEEL POWDER-COATED ON REQUEST

- .40 BLACK RAL 9005 MAT - TO MATCH WITH PBA BLACK ALUMINUM
- .26 BLACK RAL 9005 GLOSSY
- .31 WHITE RAL 9010
- .32 GREY
- .38 CHAMPAGNE
- .39 BRONZE - TO MATCH WITH PBA BRONZE ALUMINUM
- .36 ARCHITECTURAL BRONZE
- .56 MEDIUM BRONZE
- .41 SILVER
- .55 GOLD

- .99 COLOURS ON REQUEST TO MATCH ANY RAL #
(screws, grub screws and plastic parts non powdercoated)
available on request depending on quantities

EDGE COMPONENT:

BLACK FOR DARK COLOR POWDER
GREY FOR LIGHT COLOR POWDER AND STAINLESS STEEL

DOOR PREPARATION DP1
page K-Lock_234

SPACERS FOR DOUBLE GLAZED DOOR
KLO.KIT.9QU4
page K-Lock_233

THESE PRODUCTS CONTRIBUTE TO **LEED®** CREDITS

THE MANUFACTURER RESERVES THE RIGHT TO ALTER, IMPROVE AND DISCONTINUE ANY FEATURES OF THE PRODUCT (MAKE CHANGES AND IMPROVEMENTS IN DESIGNS AND DIMENSIONS) WITHOUT NOTICE.

ALL DIMENSIONS IN THE CATALOG DRAWINGS ARE APPROXIMATIONS. REQUEST THE APPROPRIATE TECHNICAL DRAWING BEFORE DOOR PREPARATION AND INSTALLATION.



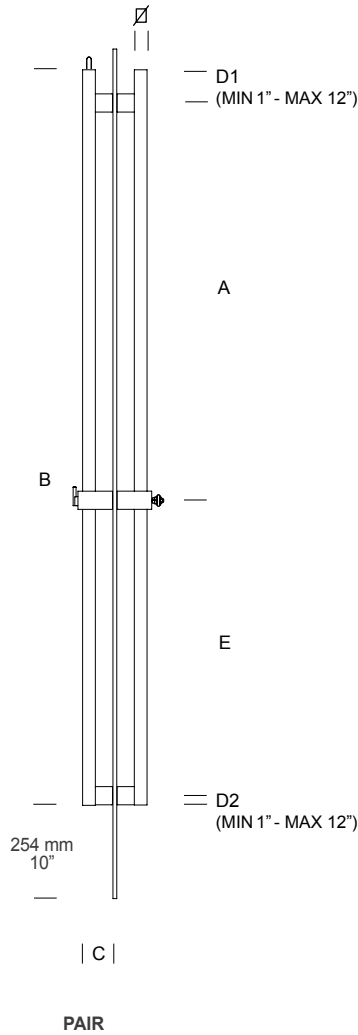
COMBINED NON LOCKING
page K-Lock_26

ITEM

- KLO.QG4.00TU
- KLO.QG4.99TU
- KLO.QG4.TU72
- KLO.QG4.TU84



LOCKING
FULL SIZE



ADA
10"
clearance
layout

**PBA
PATENTED
SYSTEM**

PATENT
102019000012465

CYLINDER NOT INCLUDED



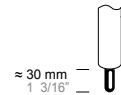
RIM CYLINDER
WITH IC



RIM CYLINDER



ADA COMPLIANT
THUMBTURN



ADJUSTABLE STEEL
DEAD BOLT



DUST-FREE
FLOOR SOCKET

BRAND OF COMPATIBLE RIM CYLINDER:

- ARROW
- CORBIN RUSSWIN
- MEDECO
- SCHLAGE
- BEST
- KABALCO
- SARGENT
- YALE

		A	B	C	D1	D2	E	Ø
PAIR		KLO.Q04.00RU. xx 1050 mm 41 11/32"	1945 mm 76 9/16"	82,20 mm 3 15/64"	75 mm 2 15/16"	17,5 mm 11/16"	802 mm 31 9/16"	35x35 mm 1 3/8"x 1 3/8"
TOP LOCKING		KLO.Q04.RU72. xx custom	1828 mm 72"	82,20 mm 3 15/64"	custom	custom	custom	335x35 mm 1 3/8"x 1 3/8"
		KLO.Q04.99RU. xx custom	custom	82,20 mm 3 15/64"	custom	custom	custom	35x35 mm 1 3/8"x 1 3/8"

.XX = FINISH CODE

STAINLESS STEEL

- .43 BRIGHT STAINLESS STEEL (ANSI/BHMA 629 - USD32)
- .44 SATIN STAINLESS STEEL (ANSI/BHMA 630 - USD32D)

STAINLESS STEEL POWDER-COATED ON REQUEST

- .40 BLACK RAL 9005 MAT - TO MATCH WITH PBA BLACK ALUMINUM
- .26 BLACK RAL 9005 GLOSSY
- .31 WHITE RAL 9010
- .32 GREY
- .38 CHAMPAGNE
- .39 BRONZE - TO MATCH WITH PBA BRONZE ALUMINUM
- .36 ARCHITECTURAL BRONZE
- .56 MEDIUM BRONZE
- .41 SILVER
- .55 GOLD

- .99 COLOURS ON REQUEST TO MATCH ANY RAL #
(screws, grub screws and plastic parts non powdercoated)
available on request depending on quantities

EDGE COMPONENT:

BLACK FOR DARK COLOR POWDER
GREY FOR LIGHT COLOR POWDER AND STAINLESS STEEL

DOOR PREPARATION DP1
page K-Lock_234

SPACERS FOR DOUBLE GLAZED DOOR
KLO.KIT.9QU4
page K-Lock_233

STRIKE DETAILS
page K-Lock_228

THESE PRODUCTS CONTRIBUTE TO LEED® CREDITS

THE MANUFACTURER RESERVES THE RIGHT TO ALTER, IMPROVE AND DISCONTINUE ANY FEATURES OF THE PRODUCT (MAKE CHANGES AND IMPROVEMENTS IN DESIGNS AND DIMENSIONS) WITHOUT NOTICE.

ALL DIMENSIONS IN THE CATALOG DRAWINGS ARE APPROXIMATIONS. REQUEST THE APPROPRIATE TECHNICAL DRAWING BEFORE DOOR PREPARATION AND INSTALLATION.

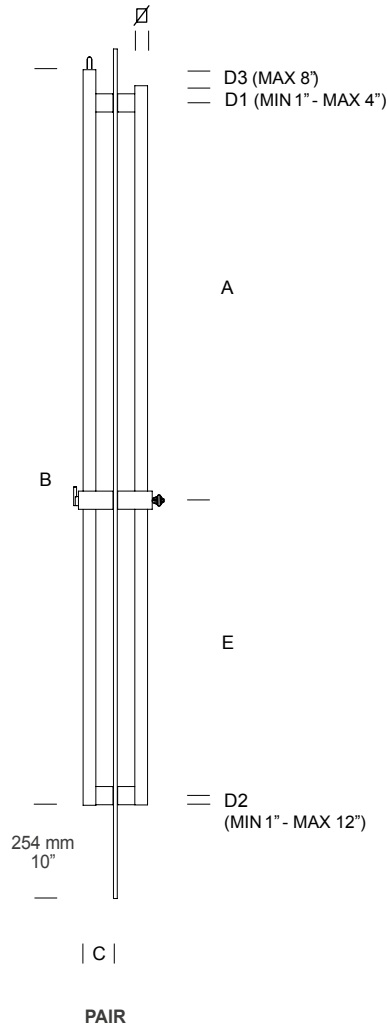


COMBINED NON LOCKING
page K-Lock_27

ITEM
KLO.QG4.00RU
KLO.QG4.99RU
KLO.QG4.RU72



LOCKING
FULL SIZE

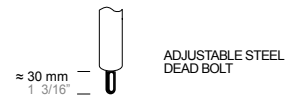


ADA
10"
clearance
l a y o u t

P B A
P A T E N T E D
S Y S T E M

PATENT
102019000012465

CYLINDER NOT INCLUDED



BRAND OF COMPATIBLE RIM CYLINDER:

- ARROW
- CORBIN RUSSWIN
- MEDECO
- SCHLAGE
- BEST
- KABALCO
- SARGENT
- YALE

PAIR
TOP
LOCKING



ITEM	A	B	C	D1	D2	D3	E	Ø
KLO.Q04.9ZU1. xx	custom	custom	82,20 mm 3 15/64"	custom	custom	custom	custom	35x35 mm 1 3/8" x 1 3/8"

.XX = FINISH CODE

STAINLESS STEEL

- .43 BRIGHT STAINLESS STEEL (ANSI/BHMA 629 - USD32)
- .44 SATIN STAINLESS STEEL (ANSI/BHMA 630 - USD32D)

STAINLESS STEEL POWDER-COATED ON REQUEST

- .40 BLACK RAL 9005 MAT - TO MATCH WITH PBA BLACK ALUMINUM
- .26 BLACK RAL 9005 GLOSSY
- .31 WHITE RAL 9010
- .32 GREY
- .38 CHAMPAGNE
- .39 BRONZE - TO MATCH WITH PBA BRONZE ALUMINUM
- .36 ARCHITECTURAL BRONZE
- .56 MEDIUM BRONZE
- .41 SILVER
- .55 GOLD

- .99 COLOURS ON REQUEST TO MATCH ANY RAL #
(screws, grub screws and plastic parts non powdercoated)
available on request depending on quantities

EDGE COMPONENT:

BLACK FOR DARK COLOR POWDER
GREY FOR LIGHT COLOR POWDER AND STAINLESS STEEL

DOOR PREPARATION DP1
page K-Lock_234

SPACERS FOR DOUBLE GLAZED DOOR
KLO.KIT.9QU4
page K-Lock_233

STRIKE DETAILS
page K-Lock_228

THESE PRODUCTS CONTRIBUTE TO LEED® CREDITS

THE MANUFACTURER RESERVES THE RIGHT TO ALTER, IMPROVE AND DISCONTINUE ANY FEATURES OF THE PRODUCT (MAKE CHANGES AND IMPROVEMENTS IN DESIGNS AND DIMENSIONS) WITHOUT NOTICE.

ALL DIMENSIONS IN THE CATALOG DRAWINGS ARE APPROXIMATIONS. REQUEST THE APPROPRIATE TECHNICAL DRAWING BEFORE DOOR PREPARATION AND INSTALLATION.



Declare™

COMBINED NON LOCKING
page K-Lock_28

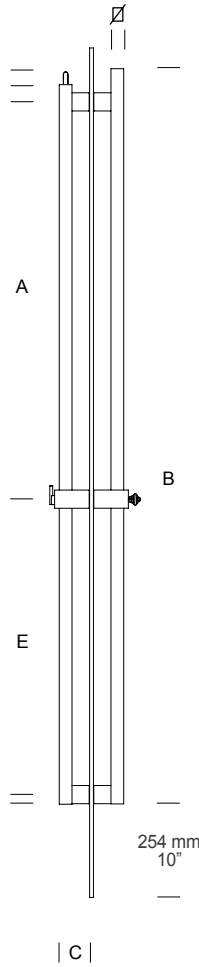
ITEM
KLO.QG4.99ZU



LOCKING
FULL SIZE



D3 (MAX 8")
D1 (MIN 1" - MAX 4")



D2
(MIN 1" - MAX 12")

PAIR

ADA
10"
clearance
l a y o u t



PATENT
102019000012465

CYLINDER NOT INCLUDED



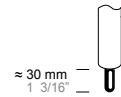
RIM CYLINDER
WITH IC



RIM CYLINDER



ADA COMPLIANT
THUMBTURN



ADJUSTABLE STEEL
DEAD BOLT



DUST-FREE
FLOOR SOCKET

BRAND OF COMPATIBLE RIM CYLINDER:
- ARROW - BEST
- CORBIN RUSSWIN - KABAILCO
- MEDECO - SARGENT
- SCHLAGE - YALE

PAIR	ITEM	A	B	C	D1	D2	D3	E	Ø
TOP LOCKING	KLO.Q04.9ZU2. xx	custom	custom	82,20 mm 3 15/64"	custom	custom	custom	custom	35x35 mm 1 3/8" x 1 3/8"

.XX = FINISH CODE

STAINLESS STEEL

- .43 BRIGHT STAINLESS STEEL (ANSI/BHMA 629 - USD32)
- .44 SATIN STAINLESS STEEL (ANSI/BHMA 630 - USD32D)

STAINLESS STEEL POWDER-COATED ON REQUEST

- .40 BLACK RAL 9005 MAT - TO MATCH WITH PBA BLACK ALUMINUM
- .26 BLACK RAL 9005 GLOSSY
- .31 WHITE RAL 9010
- .32 GREY
- .38 CHAMPAGNE
- .39 BRONZE - TO MATCH WITH PBA BRONZE ALUMINUM
- .36 ARCHITECTURAL BRONZE
- .56 MEDIUM BRONZE
- .41 SILVER
- .55 GOLD

- .99 COLOURS ON REQUEST TO MATCH ANY RAL #
(screws, grub screws and plastic parts non powdercoated)
available on request depending on quantities

EDGE COMPONENT:

BLACK FOR DARK COLOR POWDER
GREY FOR LIGHT COLOR POWDER AND STAINLESS STEEL

DOOR PREPARATION DP1
page K-Lock_234

SPACERS FOR DOUBLE GLAZED DOOR
KLO.KIT.9QU4
page K-Lock_233

STRIKE DETAILS
page K-Lock_228

THESE PRODUCTS CONTRIBUTE TO LEED® CREDITS

THE MANUFACTURER RESERVES THE RIGHT TO ALTER,
IMPROVE AND DISCONTINUE ANY FEATURES OF THE PRODUCT
(MAKE CHANGES AND IMPROVEMENTS IN DESIGNS AND
DIMENSIONS) WITHOUT NOTICE.

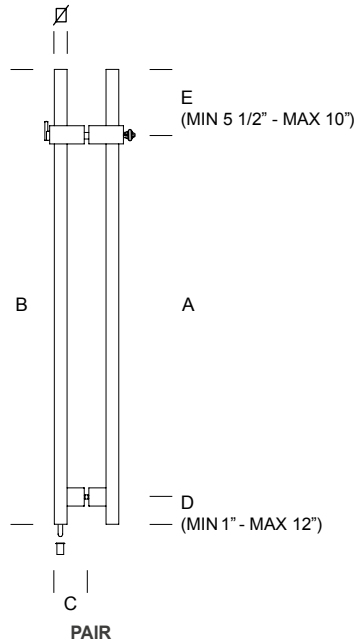
ALL DIMENSIONS IN THE CATALOG DRAWINGS ARE APPROXIMATIONS.
REQUEST THE APPROPRIATE TECHNICAL DRAWING BEFORE DOOR
PREPARATION AND INSTALLATION.



COMBINED NON LOCKING
page K-Lock_28
ITEM
KLO.QG4.99ZU



LOCKING
HALF SIZE



PBA
PATENTED
SYSTEM

PATENT
102019000012465

CYLINDER NOT INCLUDED



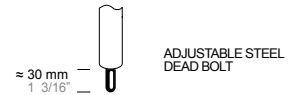
RIM CYLINDER
WITH IC



RIM CYLINDER



ADA COMPLIANT
THUMBTURN



ADJUSTABLE STEEL
DEAD BOLT



DUST-FREE
FLOOR SOCKET

BRAND OF COMPATIBLE RIM CYLINDER:

- ARROW
- CORBIN RUSSWIN
- MEDECO
- SCHLAGE
- BEST
- KABAILCO
- SARGENT
- YALE

	ITEM	A	B	C	D	E	Ø
PAIR	KLO.Q02.000U. xx	1000 mm 39 3/8"	1250 mm 49 1/4"	82,20 mm 3 15/64"	75 mm 2 15/16"	175 mm 6 7/8"	35x35 mm 1 3/8"x 1 3/8"
BOTTOM LOCKING	KLO.Q02.0U48. xx	custom	1219 mm 48"	82,20 mm 3 15/64"	custom	custom	35x35 mm 1 3/8"x 1 3/8"
	KLO.Q02.0U60. xx	custom	1524 mm 60"	82,20 mm 3 15/64"	custom	custom	35x35 mm 1 3/8"x 1 3/8"
	KLO.Q02.999U. xx	custom	custom	82,20 mm 3 15/64"	custom	custom	35x35 mm 1 3/8"x 1 3/8"

.XX = FINISH CODE

STAINLESS STEEL

- .43 BRIGHT STAINLESS STEEL (ANSI/BHMA 629 - USD32)
- .44 SATIN STAINLESS STEEL (ANSI/BHMA 630 - USD32D)

STAINLESS STEEL POWDER-COATED ON REQUEST

- .40 BLACK RAL 9005 MAT - TO MATCH WITH PBA BLACK ALUMINUM
- .26 BLACK RAL 9005 GLOSSY
- .31 WHITE RAL 9010
- .32 GREY
- .38 CHAMPAGNE
- .39 BRONZE - TO MATCH WITH PBA BRONZE ALUMINUM
- .36 ARCHITECTURAL BRONZE
- .56 MEDIUM BRONZE
- .41 SILVER
- .55 GOLD

- .99 COLOURS ON REQUEST TO MATCH ANY RAL #
(screws, grub screws and plastic parts non powdercoated)
available on request depending on quantities

EDGE COMPONENT:

BLACK FOR DARK COLOR POWDER
GREY FOR LIGHT COLOR POWDER AND STAINLESS STEEL

DOOR PREPARATION DP2
page K-Lock_235

SPACERS FOR DOUBLE GLAZED DOOR
KLO.KIT.9QU2
page K-Lock_233

THESE PRODUCTS CONTRIBUTE TO LEED® CREDITS

THE MANUFACTURER RESERVES THE RIGHT TO ALTER, IMPROVE AND DISCONTINUE ANY FEATURES OF THE PRODUCT (MAKE CHANGES AND IMPROVEMENTS IN DESIGNS AND DIMENSIONS) WITHOUT NOTICE.

ALL DIMENSIONS IN THE CATALOG DRAWINGS ARE APPROXIMATIONS. REQUEST THE APPROPRIATE TECHNICAL DRAWING BEFORE DOOR PREPARATION AND INSTALLATION.

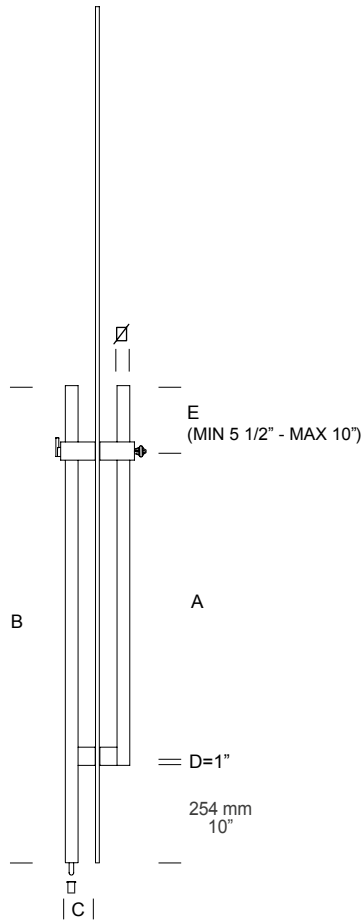


COMBINED NON LOCKING
page K-Lock_29

ITEM
KLO.QG2.000U
KLO.QG2.999U
KLO.QG2.0U48
KLO.QG2.0U60



LOCKING
HALF SIZE



PAIR

ADA
10"
clearance
layout

P B A
PATENTED
SYSTEM

PATENT
102019000012465

CYLINDER NOT INCLUDED



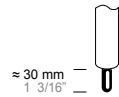
RIM CYLINDER
WITH IC



RIM CYLINDER



ADA COMPLIANT
THUMBTURN



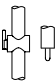

ADJUSTABLE STEEL
DEAD BOLT



DUST-FREE
FLOOR SOCKET

BRAND OF COMPATIBLE RIM CYLINDER:

- ARROW
- CORBIN RUSSWIN
- MEDECO
- SCHLAGE
- BEST
- KABAILCO
- SARGENT
- YALE

	ITEM	A	B	C	D	E	Ø
PAIR	 KLO.Q02.00TU.xx	802 mm 31 9/16"	1250 mm 49 1/4"	82,20 mm 3 15/64"	17,5 mm 11/16"	175 mm 6 7/8"	35x35 mm 1 3/8"x 1 3/8"
BOTTOM LOCKING	 KLO.Q02.TU48.xx	custom	1219 mm 48"	82,20 mm 3 15/64"	17,5 mm 11/16"	custom	35x35 mm 1 3/8"x 1 3/8"
	KLO.Q02.TU60.xx	custom	1524 mm 60"	82,20 mm 3 15/64"	17,5 mm 11/16"	custom	35x35 mm 1 3/8"x 1 3/8"
	KLO.Q02.99TU.xx	custom	custom	82,20 mm 3 15/64"	17,5 mm 11/16"	custom	35x35 mm 1 3/8"x 1 3/8"

.XX = FINISH CODE

STAINLESS STEEL

- .43 BRIGHT STAINLESS STEEL (ANSI/BHMA 629 - USD32)
- .44 SATIN STAINLESS STEEL (ANSI/BHMA 630 - USD32D)

STAINLESS STEEL POWDER-COATED ON REQUEST

- .40 BLACK RAL 9005 MAT - TO MATCH WITH PBA BLACK ALUMINUM
- .26 BLACK RAL 9005 GLOSSY
- .31 WHITE RAL 9010
- .32 GREY
- .38 CHAMPAGNE
- .39 BRONZE - TO MATCH WITH PBA BRONZE ALUMINUM
- .36 ARCHITECTURAL BRONZE
- .56 MEDIUM BRONZE
- .41 SILVER
- .55 GOLD

- .99 COLOURS ON REQUEST TO MATCH ANY RAL #
(screws, grub screws and plastic parts non powdercoated)
available on request depending on quantities

EDGE COMPONENT:

BLACK FOR DARK COLOR POWDER
GREY FOR LIGHT COLOR POWDER AND STAINLESS STEEL

DOOR PREPARATION DP2
page K-Lock_235

SPACERS FOR DOUBLE GLAZED DOOR
KLO.KIT.9QU2
page K-Lock_233

THESE PRODUCTS CONTRIBUTE TO LEED® CREDITS

THE MANUFACTURER RESERVES THE RIGHT TO ALTER, IMPROVE AND DISCONTINUE ANY FEATURES OF THE PRODUCT (MAKE CHANGES AND IMPROVEMENTS IN DESIGNS AND DIMENSIONS) WITHOUT NOTICE.

ALL DIMENSIONS IN THE CATALOG DRAWINGS ARE APPROXIMATIONS. REQUEST THE APPROPRIATE TECHNICAL DRAWING BEFORE DOOR PREPARATION AND INSTALLATION.

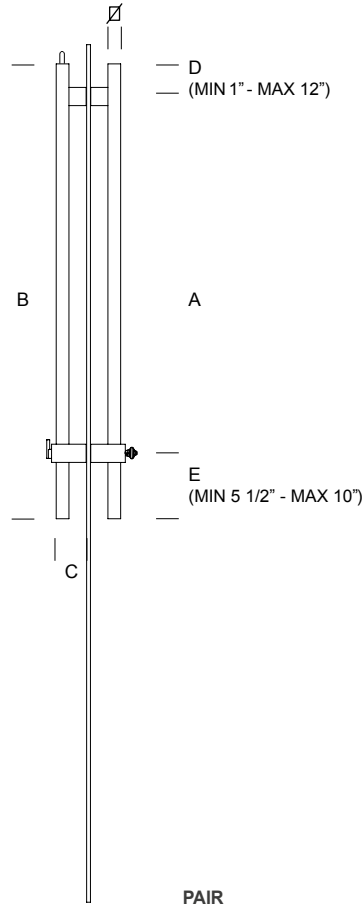


COMBINED NON LOCKING
page K-Lock_30

ITEM
KLO.QG2.00TU
KLO.QG2.99TU
KLO.QG2.TU48
KLO.QG2.TU60



LOCKING
HALF SIZE



ADA
10"
clearance
Layout



PATENT
102019000012465

CYLINDER NOT INCLUDED



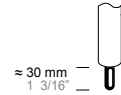
RIM CYLINDER
WITH IC



RIM CYLINDER



ADA COMPLIANT
THUMBTURN



ADJUSTABLE STEEL
DEAD BOLT



DUST-FREE
FLOOR SOCKET

BRAND OF COMPATIBLE RIM CYLINDER:

- ARROW
- CORBIN RUSSWIN
- MEDECO
- SCHLAGE
- BEST
- KABAILCO
- SARGENT
- YALE

PAIR

TOP
LOCKING



ITEM	A	B	C	D	E	∅
KLO.Q02.00RU. xx	1050 mm 41 11/32"	1300 mm 51 3/16"	82,20 mm 3 15/64"	75 mm 2 15/16"	175 mm 6 7/8"	35x35 mm 1 3/8"x 1 3/8"
KLO.Q02.RU48. xx	custom	1219 mm 48"	82,20 mm 3 15/64"	custom	custom	35x35 mm 1 3/8"x 1 3/8"
KLO.Q02.RU60. xx	custom	1524 mm 60"	82,20 mm 3 15/64"	custom	custom	35x35 mm 1 3/8"x 1 3/8"
KLO.Q02.RU72. xx	custom	1828 mm 72"	82,20 mm 3 15/64"	custom	custom	35x35 mm 1 3/8"x 1 3/8"
KLO.Q02.99RU. xx	custom	custom	82,20 mm 3 15/64"	custom	custom	35x35 mm 1 3/8"x 1 3/8"

.XX = FINISH CODE

STAINLESS STEEL

- .43 BRIGHT STAINLESS STEEL (ANSI/BHMA 629 - USD32)
- .44 SATIN STAINLESS STEEL (ANSI/BHMA 630 - USD32D)

STAINLESS STEEL POWDER-COATED ON REQUEST

- .40 BLACK RAL 9005 MAT - TO MATCH WITH PBA BLACK ALUMINUM
- .26 BLACK RAL 9005 GLOSSY
- .31 WHITE RAL 9010
- .32 GREY
- .38 CHAMPAGNE
- .39 BRONZE - TO MATCH WITH PBA BRONZE ALUMINUM
- .36 ARCHITECTURAL BRONZE
- .56 MEDIUM BRONZE
- .41 SILVER
- .55 GOLD

- .99 COLOURS ON REQUEST TO MATCH ANY RAL #
(screws, grub screws and plastic parts non powdercoated)
available on request depending on quantities

EDGE COMPONENT:

BLACK FOR DARK COLOR POWDER
GREY FOR LIGHT COLOR POWDER AND STAINLESS STEEL

DOOR PREPARATION DP3
page K-Lock_236

SPACERS FOR DOUBLE GLAZED DOOR
KLO.KIT.9QU2
page K-Lock_233

STRIKE DETAILS
page K-Lock_228

THESE PRODUCTS CONTRIBUTE TO **LEED®** CREDITS

THE MANUFACTURER RESERVES THE RIGHT TO ALTER, IMPROVE AND DISCONTINUE ANY FEATURES OF THE PRODUCT (MAKE CHANGES AND IMPROVEMENTS IN DESIGNS AND DIMENSIONS) WITHOUT NOTICE.

ALL DIMENSIONS IN THE CATALOG DRAWINGS ARE APPROXIMATIONS. REQUEST THE APPROPRIATE TECHNICAL DRAWING BEFORE DOOR PREPARATION AND INSTALLATION.

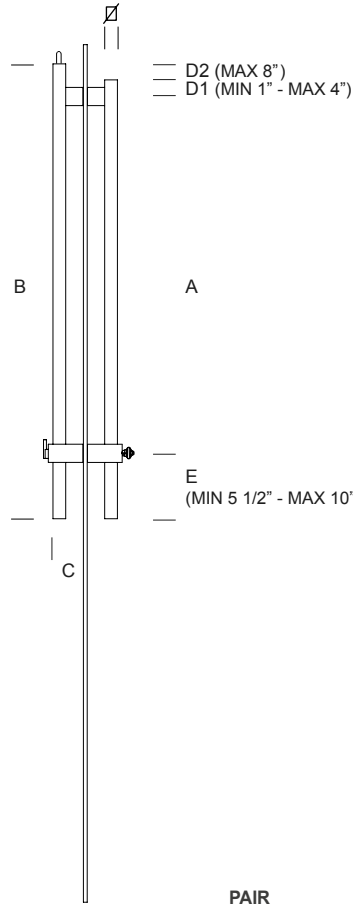


COMBINED NON LOCKING
page K-Lock_31

ITEM
KLO.QG2.00RU
KLO.QG2.99RU
KLO.QG2.RU48
KLO.QG2.RU60
KLO.QG2.RU72



**LOCKING
HALF SIZE**



ADA
10" clearance layout



PATENT 102019000012465

CYLINDER NOT INCLUDED



RIM CYLINDER WITH IC



RIM CYLINDER



ADA COMPLIANT THUMBTURN



ADJUSTABLE STEEL DEAD BOLT



DUST-FREE FLOOR SOCKET

BRAND OF COMPATIBLE RIM CYLINDER:	
- ARROW	- BEST
- CORBIN RUSSWIN	- KABAILCO
- MEDECO	- SARGENT
- SCHLAGE	- YALE

PAIR

	ITEM	A	B	C	D1	D2	E	Ø
PAIR	KLO.Q02.9ZU1. xx	custom	custom	82,20 mm 3 15/64"	custom	custom	custom	35x35 mm 1 3/8"x 1 3/8"
TOP LOCKING								

.XX = FINISH CODE

STAINLESS STEEL

- .43 BRIGHT STAINLESS STEEL (ANSI/BHMA 629 - USD32)
- .44 SATIN STAINLESS STEEL (ANSI/BHMA 630 - USD32D)

STAINLESS STEEL POWDER-COATED ON REQUEST

- .40 BLACK RAL 9005 MAT - TO MATCH WITH PBA BLACK ALUMINUM
- .26 BLACK RAL 9005 GLOSSY
- .31 WHITE RAL 9010
- .32 GREY
- .38 CHAMPAGNE
- .39 BRONZE - TO MATCH WITH PBA BRONZE ALUMINUM
- .36 ARCHITECTURAL BRONZE
- .56 MEDIUM BRONZE
- .41 SILVER
- .55 GOLD

- .99 COLOURS ON REQUEST TO MATCH ANY RAL #
(screws, grub screws and plastic parts non powdercoated)
available on request depending on quantities

EDGE COMPONENT:

BLACK FOR DARK COLOR POWDER
GREY FOR LIGHT COLOR POWDER AND STAINLESS STEEL

DOOR PREPARATION DP3
page K-Lock_236

SPACERS FOR DOUBLE GLAZED DOOR
KLO.KIT.9QU2
page K-Lock_233

STRIKE DETAILS
page K-Lock_228

THESE PRODUCTS CONTRIBUTE TO **LEED®** CREDITS

THE MANUFACTURER RESERVES THE RIGHT TO ALTER, IMPROVE AND DISCONTINUE ANY FEATURES OF THE PRODUCT (MAKE CHANGES AND IMPROVEMENTS IN DESIGNS AND DIMENSIONS) WITHOUT NOTICE.

ALL DIMENSIONS IN THE CATALOG DRAWINGS ARE APPROXIMATIONS. REQUEST THE APPROPRIATE TECHNICAL DRAWING BEFORE DOOR PREPARATION AND INSTALLATION.

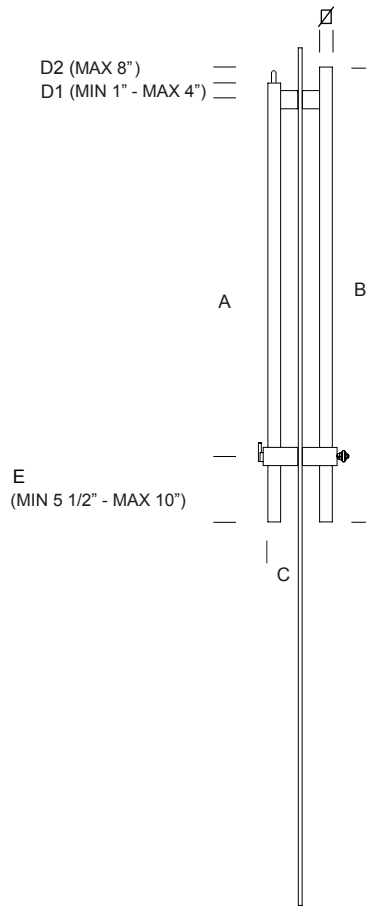


COMBINED NON LOCKING
page K-Lock_32

ITEM
KLO.QG2.99ZU



LOCKING
HALF SIZE



ADA
10"
clearance
Layout



PATENT
102019000012465

CYLINDER NOT INCLUDED



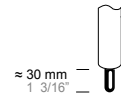
RIM CYLINDER
WITH IC



RIM CYLINDER



ADA COMPLIANT
THUMBTURN



ADJUSTABLE STEEL
DEAD BOLT



DUST-FREE
FLOOR SOCKET

BRAND OF COMPATIBLE RIM CYLINDER:	
- ARROW	- BEST
- CORBIN RUSSWIN	- KABAILCO
- MEDECO	- SARGENT
- SCHLAGE	- YALE

PAIR

PAIR	ITEM	A	B	C	D1	D2	E	Ø
TOP LOCKING	KLO.Q02.9ZU2. xx	custom	custom	82,20 mm 3 15/64"	custom	custom	custom	35x35 mm 1 3/8"x 1 3/8"

.XX = FINISH CODE

STAINLESS STEEL

- .43 BRIGHT STAINLESS STEEL (ANSI/BHMA 629 - USD32)
- .44 SATIN STAINLESS STEEL (ANSI/BHMA 630 - USD32D)

STAINLESS STEEL POWDER-COATED ON REQUEST

- .40 BLACK RAL 9005 MAT - TO MATCH WITH PBA BLACK ALUMINUM
- .26 BLACK RAL 9005 GLOSSY
- .31 WHITE RAL 9010
- .32 GREY
- .38 CHAMPAGNE
- .39 BRONZE - TO MATCH WITH PBA BRONZE ALUMINUM
- .36 ARCHITECTURAL BRONZE
- .56 MEDIUM BRONZE
- .41 SILVER
- .55 GOLD

- .99 COLOURS ON REQUEST TO MATCH ANY RAL #
(screws, grub screws and plastic parts non powdercoated)
available on request depending on quantities

EDGE COMPONENT:

BLACK FOR DARK COLOR POWDER
GREY FOR LIGHT COLOR POWDER AND STAINLESS STEEL

DOOR PREPARATION DP3
page K-Lock_236

SPACERS FOR DOUBLE GLAZED DOOR
KLO.KIT.9QU2
page K-Lock_233

STRIKE DETAILS
page K-Lock_228

THESE PRODUCTS CONTRIBUTE TO LEED® CREDITS

THE MANUFACTURER RESERVES THE RIGHT TO ALTER, IMPROVE AND DISCONTINUE ANY FEATURES OF THE PRODUCT (MAKE CHANGES AND IMPROVEMENTS IN DESIGNS AND DIMENSIONS) WITHOUT NOTICE.

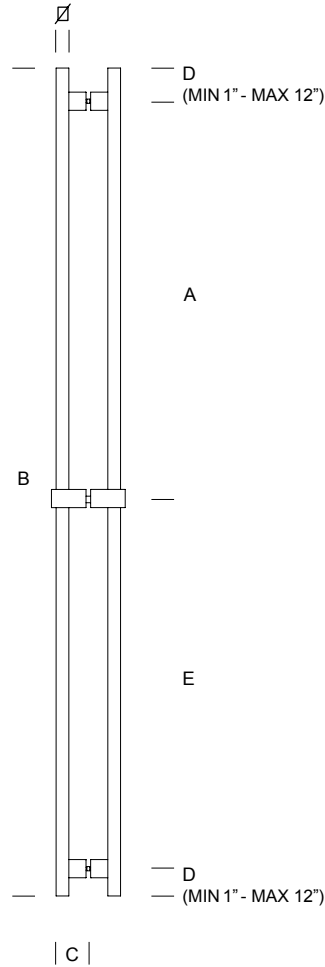
ALL DIMENSIONS IN THE CATALOG DRAWINGS ARE APPROXIMATIONS. REQUEST THE APPROPRIATE TECHNICAL DRAWING BEFORE DOOR PREPARATION AND INSTALLATION.



COMBINED NON LOCKING
page K-Lock_32
ITEM
KLO.QG2.99ZU



NON LOCKING
FULL SIZE



BACK TO BACK FIXING KIT
ALWAYS INCLUDED
SUITABLE FOR GLASS /
WOOD / METAL DOOR

PAIR

PAIR	ITEM	A	B	C	D1	D2	E	∅
	KLO.QG4.000U. xx	1050 mm 41 11/32"	2200 mm 86 5/8"	82,20 mm 3 15/64"	75 mm 2 15/16"	75 mm 2 15/16"	1000 mm 39 3/8"	35x35 mm 1 3/8"x 1 3/8"
	KLO.QG4.0U72. xx	custom	1828 mm 72"	82,20 mm 3 15/64"	custom	custom	custom	35x35 mm 1 3/8"x 1 3/8"
	KLO.QG4.0U84. xx	custom	2133 mm 84"	82,20 mm 3 15/64"	custom	custom	custom	35x35 mm 1 3/8"x 1 3/8"
	KLO.QG4.999U. xx	custom	custom	82,20 mm 3 15/64"	custom	custom	custom	35x35 mm 1 3/8"x 1 3/8"

.XX = FINISH CODE

STAINLESS STEEL

- .43 BRIGHT STAINLESS STEEL (ANSI/BHMA 629 - USD32)
- .44 SATIN STAINLESS STEEL (ANSI/BHMA 630 - USD32D)

STAINLESS STEEL POWDER-COATED ON REQUEST

- .40 BLACK RAL 9005 MAT - TO MATCH WITH PBA BLACK ALUMINUM
- .26 BLACK RAL 9005 GLOSSY
- .31 WHITE RAL 9010
- .32 GREY
- .38 CHAMPAGNE
- .39 BRONZE - TO MATCH WITH PBA BRONZE ALUMINUM
- .36 ARCHITECTURAL BRONZE
- .56 MEDIUM BRONZE
- .41 SILVER
- .55 GOLD

- .99 COLOURS ON REQUEST TO MATCH ANY RAL #
(screws, grub screws and plastic parts non powdercoated)
available on request depending on quantities

EDGE COMPONENT:

- BLACK FOR DARK COLOR POWDER
- GREY FOR LIGHT COLOR POWDER AND STAINLESS STEEL

DOOR PREPARATION DP1
page K-Lock_234

SPACERS FOR DOUBLE GLAZED DOOR
KLO.KIT.9QU4
page K-Lock_233

THESE PRODUCTS CONTRIBUTE TO LEED® CREDITS

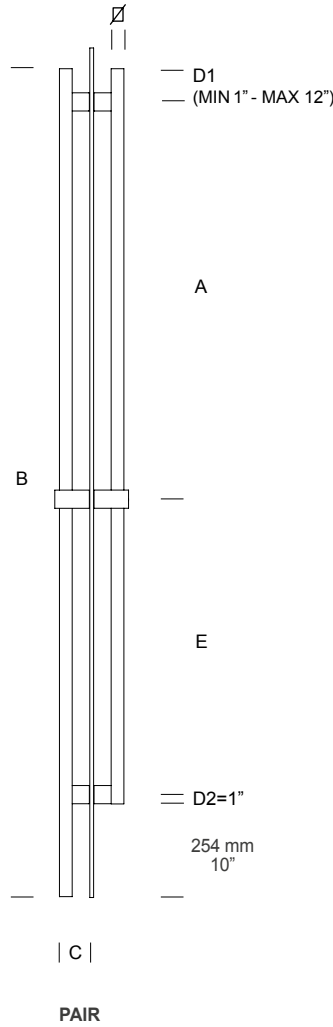
THE MANUFACTURER RESERVES THE RIGHT TO ALTER, IMPROVE AND DISCONTINUE ANY FEATURES OF THE PRODUCT (MAKE CHANGES AND IMPROVEMENTS IN DESIGNS AND DIMENSIONS) WITHOUT NOTICE.

ALL DIMENSIONS IN THE CATALOG DRAWINGS ARE APPROXIMATIONS. REQUEST THE APPROPRIATE TECHNICAL DRAWING BEFORE DOOR PREPARATION AND INSTALLATION.



NON LOCKING TO MATCH PULL ON
page K-Lock_15

NON LOCKING
FULL SIZE



ADA
10"
clearance
layout

BACK TO BACK FIXING KIT
ALWAYS INCLUDED
SUITABLE FOR GLASS /
WOOD / METAL DOOR

PAIR	ITEM	A	B	C	D1	D2	E	Ø
	KLO.QG4.00TU. xx	1050 mm 41 11/32"	2200 mm 86 5/8"	82,20 mm 3 15/64"	75 mm 2 15/16"	17,5 mm 11/16"	802 mm 31 9/16"	35x35 mm 1 3/8"x 1 3/8"
	KLO.QG4.TU72. xx	custom	1828 mm 72"	82,20 mm 3 15/64"	custom	17,5 mm 11/16"	custom	35x35 mm 1 3/8"x 1 3/8"
	KLO.QG4.TU84. xx	custom	2133 mm 84"	82,20 mm 3 15/64"	custom	17,5 mm 11/16"	custom	35x35 mm 1 3/8"x 1 3/8"
	KLO.QG4.99TU. xx	custom	custom	82,20 mm 3 15/64"	75 mm 2 15/16"	17,5 mm 11/16"	802 mm 31 9/16"	35x35 mm 1 3/8"x 1 3/8"

.XX = FINISH CODE

STAINLESS STEEL

- .43 BRIGHT STAINLESS STEEL (ANSI/BHMA 629 - USD32)
- .44 SATIN STAINLESS STEEL (ANSI/BHMA 630 - USD32D)

STAINLESS STEEL POWDER-COATED ON REQUEST

- .40 BLACK RAL 9005 MAT - TO MATCH WITH PBA BLACK ALUMINUM
- .26 BLACK RAL 9005 GLOSSY
- .31 WHITE RAL 9010
- .32 GREY
- .38 CHAMPAGNE
- .39 BRONZE - TO MATCH WITH PBA BRONZE ALUMINUM
- .36 ARCHITECTURAL BRONZE
- .56 MEDIUM BRONZE
- .41 SILVER
- .55 GOLD

- .99 COLOURS ON REQUEST TO MATCH ANY RAL #
(screws, grub screws and plastic parts non powdercoated)
available on request depending on quantities

EDGE COMPONENT:

- BLACK FOR DARK COLOR POWDER
- GREY FOR LIGHT COLOR POWDER AND STAINLESS STEEL

DOOR PREPARATION DP1
page K-Lock_234

SPACERS FOR DOUBLE GLAZED DOOR
KLO.KIT.9QU4
page K-Lock_233

THESE PRODUCTS CONTRIBUTE TO LEED® CREDITS

THE MANUFACTURER RESERVES THE RIGHT TO ALTER, IMPROVE AND DISCONTINUE ANY FEATURES OF THE PRODUCT (MAKE CHANGES AND IMPROVEMENTS IN DESIGNS AND DIMENSIONS) WITHOUT NOTICE.

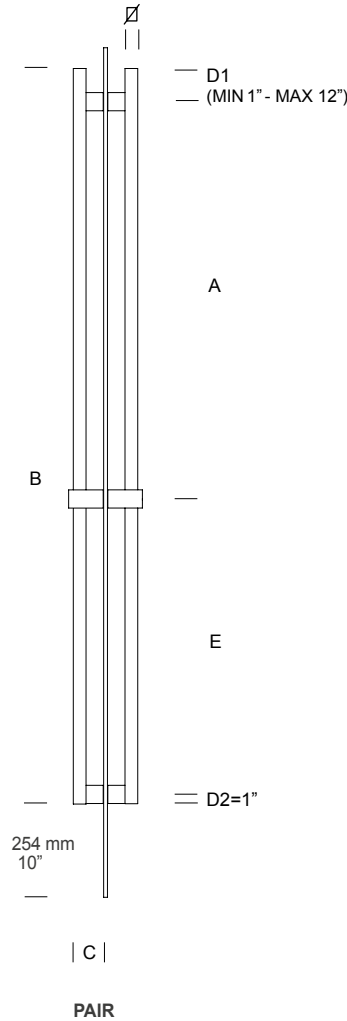
ALL DIMENSIONS IN THE CATALOG DRAWINGS ARE APPROXIMATIONS. REQUEST THE APPROPRIATE TECHNICAL DRAWING BEFORE DOOR PREPARATION AND INSTALLATION.



Declare

NON LOCKING TO MATCH PULL ON
page K-Lock_16

NON LOCKING
FULL SIZE



ADA
10"
clearance
L a y o u t

BACK TO BACK FIXING KIT
ALWAYS INCLUDED
SUITABLE FOR GLASS /
WOOD / METAL DOOR

PAIR	ITEM	A	B	C	D1	D2	E	∅
	KLO.QG4.00RU. xx	1050 mm 41 11/32"	1945 mm 76 9/16"	82,20 mm 3 15/64"	75 mm 2 15/16"	17,5 mm 11/16"	802 mm 31 9/16"	35x35 mm 1 3/8"x 1 3/8"
	KLO.QG4.RU72. xx	custom	1828 mm 72"	82,20 mm 3 15/64"	custom	17,5 mm 11/16"	custom	35x35 mm 1 3/8"x 1 3/8"
	KLO.QG4.99RU. xx	custom	custom	82,20 mm 3 15/64"	custom	17,5 mm 11/16"	custom	35x35 mm 1 3/8"x 1 3/8"

.XX = FINISH CODE

STAINLESS STEEL

- .43 BRIGHT STAINLESS STEEL (ANSI/BHMA 629 - USD32)
- .44 SATIN STAINLESS STEEL (ANSI/BHMA 630 - USD32D)

STAINLESS STEEL POWDER-COATED ON REQUEST

- .40 BLACK RAL 9005 MAT - TO MATCH WITH PBA BLACK ALUMINUM
- .26 BLACK RAL 9005 GLOSSY
- .31 WHITE RAL 9010
- .32 GREY
- .38 CHAMPAGNE
- .39 BRONZE - TO MATCH WITH PBA BRONZE ALUMINUM
- .36 ARCHITECTURAL BRONZE
- .56 MEDIUM BRONZE
- .41 SILVER
- .55 GOLD

- .99 COLOURS ON REQUEST TO MATCH ANY RAL #
(screws, grub screws and plastic parts non powdercoated)
available on request depending on quantities

EDGE COMPONENT:

BLACK FOR DARK COLOR POWDER
GREY FOR LIGHT COLOR POWDER AND STAINLESS STEEL

DOOR PREPARATION DP1
page K-Lock_234

SPACERS FOR DOUBLE GLAZED DOOR
KLO.KIT.9QU4
page K-Lock_233

THESE PRODUCTS CONTRIBUTE TO LEED® CREDITS

THE MANUFACTURER RESERVES THE RIGHT TO ALTER, IMPROVE AND DISCONTINUE ANY FEATURES OF THE PRODUCT (MAKE CHANGES AND IMPROVEMENTS IN DESIGNS AND DIMENSIONS) WITHOUT NOTICE.

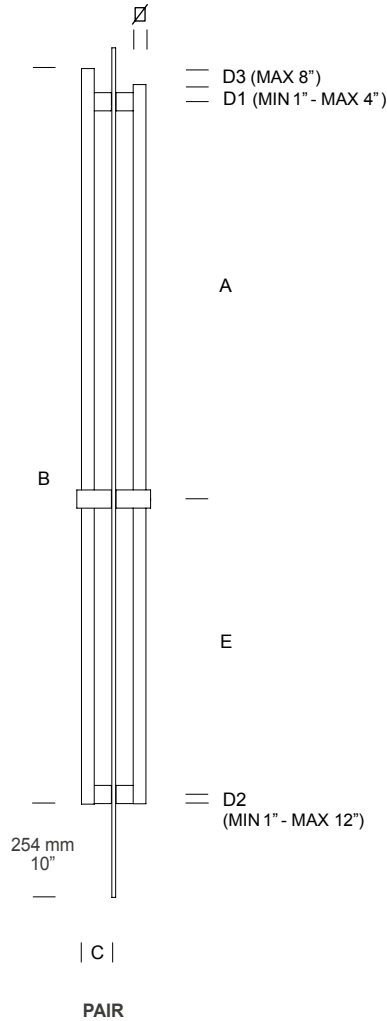
ALL DIMENSIONS IN THE CATALOG DRAWINGS ARE APPROXIMATIONS. REQUEST THE APPROPRIATE TECHNICAL DRAWING BEFORE DOOR PREPARATION AND INSTALLATION.



Declare

NON LOCKING TO MATCH PULL ON
page K-Lock_17

NON LOCKING
FULL SIZE



ADA
10"
clearance
Layout

BACK TO BACK FIXING KIT
ALWAYS INCLUDED
SUITABLE FOR GLASS /
WOOD / METAL DOOR

PAIR	ITEM	A	B	C	D1	D2	D3	E	\varnothing
	KLO.QG4.99ZU. xx	custom	custom	82,20 mm 3 15/64"	custom	custom	custom	custom	35x35 mm 1 3/8"x 1 3/8"

.XX = FINISH CODE

STAINLESS STEEL

- .43 BRIGHT STAINLESS STEEL (ANSI/BHMA 629 - USD32)
- .44 SATIN STAINLESS STEEL (ANSI/BHMA 630 - USD32D)

STAINLESS STEEL POWDER-COATED ON REQUEST

- .40 BLACK RAL 9005 MAT - TO MATCH WITH PBA BLACK ALUMINUM
- .26 BLACK RAL 9005 GLOSSY
- .31 WHITE RAL 9010
- .32 GREY
- .38 CHAMPAGNE
- .39 BRONZE - TO MATCH WITH PBA BRONZE ALUMINUM
- .36 ARCHITECTURAL BRONZE
- .56 MEDIUM BRONZE
- .41 SILVER
- .55 GOLD

- .99 COLOURS ON REQUEST TO MATCH ANY RAL #
(screws, grub screws and plastic parts non powdercoated)
available on request depending on quantities

EDGE COMPONENT:

BLACK FOR DARK COLOR POWDER
GREY FOR LIGHT COLOR POWDER AND STAINLESS STEEL

DOOR PREPARATION DP1
page K-Lock_234

SPACERS FOR DOUBLE GLAZED DOOR
KLO.KIT.9QU4
page K-Lock_233

THESE PRODUCTS CONTRIBUTE TO LEED® CREDITS

THE MANUFACTURER RESERVES THE RIGHT TO ALTER, IMPROVE AND DISCONTINUE ANY FEATURES OF THE PRODUCT (MAKE CHANGES AND IMPROVEMENTS IN DESIGNS AND DIMENSIONS) WITHOUT NOTICE.

ALL DIMENSIONS IN THE CATALOG DRAWINGS ARE APPROXIMATIONS. REQUEST THE APPROPRIATE TECHNICAL DRAWING BEFORE DOOR PREPARATION AND INSTALLATION.



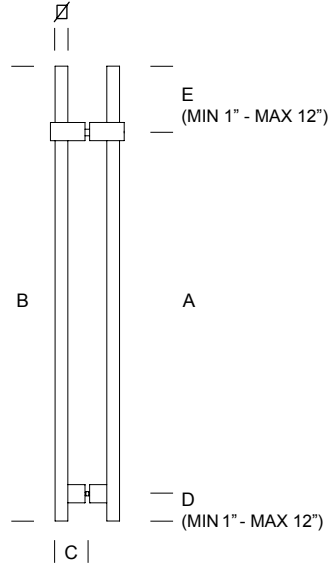
Declare™

NON LOCKING TO MATCH PULL ON
page K-Lock_18-19

NON LOCKIN
HALF SIZ



BACK TO BACK FIXING KIT
ALWAYS INCLUDED
SUITABLE FOR GLASS /
WOOD / METAL DOOR



PAIR

PAIR	ITEM	A	B	C	D	E	Ø
	KLO.QG2.000U. xx	1000 mm 39 3/8"	1250 mm 49 1/4"	82,20 mm 3 15/64"	75 mm 2 15/16"	175 mm 6 7/8"	35x35 mm 1 3/8"x 1 3/8"
	KLO.QG2.0U48. xx	custom	1219 mm 48"	82,20 mm 3 15/64"	custom	custom	35x35 mm 1 3/8"x 1 3/8"
	KLO.QG2.0U60. xx	custom	1524 mm 60"	82,20 mm 3 15/64"	custom	custom	35x35 mm 1 3/8"x 1 3/8"
	KLO.QG2.999U. xx	custom	custom	82,20 mm 3 15/64"	custom	custom	35x35 mm 1 3/8"x 1 3/8"

.XX = FINISH CODE

STAINLESS STEEL

- .43 BRIGHT STAINLESS STEEL (ANSI/BHMA 629 - USD32)
- .44 SATIN STAINLESS STEEL (ANSI/BHMA 630 - USD32D)

STAINLESS STEEL POWDER-COATED ON REQUEST

- .40 BLACK RAL 9005 MAT - TO MATCH WITH PBA BLACK ALUMINUM
- .26 BLACK RAL 9005 GLOSSY
- .31 WHITE RAL 9010
- .32 GREY
- .38 CHAMPAGNE
- .39 BRONZE - TO MATCH WITH PBA BRONZE ALUMINUM
- .36 ARCHITECTURAL BRONZE
- .56 MEDIUM BRONZE
- .41 SILVER
- .55 GOLD

- .99 COLOURS ON REQUEST TO MATCH ANY RAL #
(screws, grub screws and plastic parts non powdercoated)
available on request depending on quantities

EDGE COMPONENT:

BLACK FOR DARK COLOR POWDER
GREY FOR LIGHT COLOR POWDER AND STAINLESS STEEL

DOOR PREPARATION DP2
page K-Lock_235

SPACERS FOR DOUBLE GLAZED DOOR
KLO.KIT.9QU2
page K-Lock_233

THESE PRODUCTS CONTRIBUTE TO LEED® CREDITS

THE MANUFACTURER RESERVES THE RIGHT TO ALTER, IMPROVE AND DISCONTINUE ANY FEATURES OF THE PRODUCT (MAKE CHANGES AND IMPROVEMENTS IN DESIGNS AND DIMENSIONS) WITHOUT NOTICE.

ALL DIMENSIONS IN THE CATALOG DRAWINGS ARE APPROXIMATIONS. REQUEST THE APPROPRIATE TECHNICAL DRAWING BEFORE DOOR PREPARATION AND INSTALLATION.



Declare

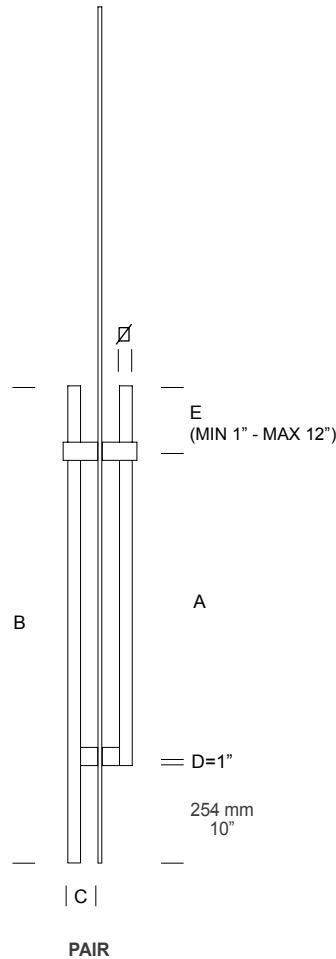
NON LOCKING TO MATCH PULL ON
page K-Lock_20

NON LOCKING
HALF SIZE



ADA
10"
clearance
l a y o u t

BACK TO BACK FIXING KIT
ALWAYS INCLUDED
SUITABLE FOR GLASS /
WOOD / METAL DOOR



PAIR	ITEM	A	B	C	D	E	Ø
	KLO.QG2.00TU. xx	802 mm 31 9/16"	1250 mm 49 1/4"	82,20 mm 3 15/64"	17,5 mm 11/16"	175 mm 6 7/8"	35x35 mm 1 3/8"x 1 3/8"
	KLO.QG2.TU48. xx	custom	1219 mm 48"	82,20 mm 3 15/64"	17,5 mm 11/16"	custom	35x35 mm 1 3/8"x 1 3/8"
	KLO.QG2.TU60. xx	custom	1524 mm 60"	82,20 mm 3 15/64"	17,5 mm 11/16"	custom	35x35 mm 1 3/8"x 1 3/8"
	KLO.QG2.99TU. xx	custom	custom	82,20 mm 3 15/64"	17,5 mm 11/16"	custom	35x35 mm 1 3/8"x 1 3/8"

.XX = FINISH CODE

STAINLESS STEEL

- .43 BRIGHT STAINLESS STEEL (ANSI/BHMA 629 - USD32)
- .44 SATIN STAINLESS STEEL (ANSI/BHMA 630 - USD32D)

STAINLESS STEEL POWDER-COATED ON REQUEST

- .40 BLACK RAL 9005 MAT - TO MATCH WITH PBA BLACK ALUMINUM
- .26 BLACK RAL 9005 GLOSSY
- .31 WHITE RAL 9010
- .32 GREY
- .38 CHAMPAGNE
- .39 BRONZE - TO MATCH WITH PBA BRONZE ALUMINUM
- .36 ARCHITECTURAL BRONZE
- .56 MEDIUM BRONZE
- .41 SILVER
- .55 GOLD

- .99 COLOURS ON REQUEST TO MATCH ANY RAL #
(screws, grub screws and plastic parts non powdercoated)
available on request depending on quantities

EDGE COMPONENT:

- BLACK FOR DARK COLOR POWDER
- GREY FOR LIGHT COLOR POWDER AND STAINLESS STEEL

DOOR PREPARATION DP2

page K-Lock_235

SPACERS FOR DOUBLE GLAZED DOOR

KLO.KIT.9QU2
page K-Lock_233

THESE PRODUCTS CONTRIBUTE TO LEED® CREDITS

THE MANUFACTURER RESERVES THE RIGHT TO ALTER, IMPROVE AND DISCONTINUE ANY FEATURES OF THE PRODUCT (MAKE CHANGES AND IMPROVEMENTS IN DESIGNS AND DIMENSIONS) WITHOUT NOTICE.

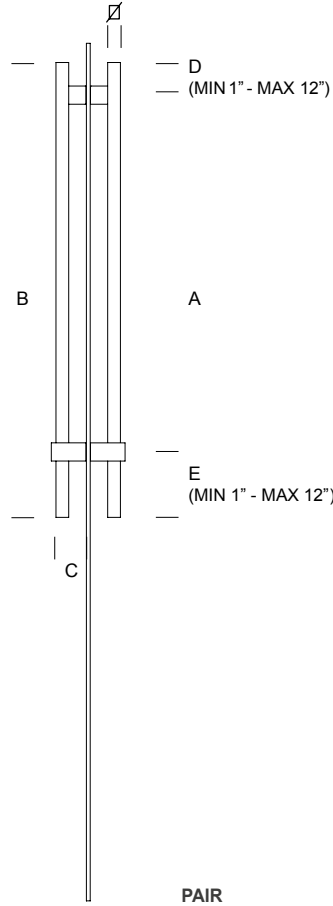
ALL DIMENSIONS IN THE CATALOG DRAWINGS ARE APPROXIMATIONS. REQUEST THE APPROPRIATE TECHNICAL DRAWING BEFORE DOOR PREPARATION AND INSTALLATION.



Declare™

NON LOCKING TO MATCH PULL ON
page K-Lock_21

NON LOCKING
HALF SIZE



PAIR	ITEM	A	B	C	D	E	∅
	KLO.QG2.00RU. xx	1050 mm 41 11/32"	1300 mm 51 3/16"	82,20 mm 3 15/64"	75 mm 2 15/16"	175 mm 6 7/8"	35x35 mm 1 3/8"x 1 3/8"
	KLO.QG2.RU48. xx	custom	1219 mm 48"	82,20 mm 3 15/64"	custom	custom	35x35 mm 1 3/8"x 1 3/8"
	KLO.QG2.RU60. xx	custom	1524 mm 60"	82,20 mm 3 15/64"	custom	custom	35x35 mm 1 3/8"x 1 3/8"
	KLO.QG2.RU72. xx	custom	1828 mm 72"	82,20 mm 3 15/64"	custom	custom	35x35 mm 1 3/8"x 1 3/8"
	KLO.QG2.99RU. xx	custom	custom	82,20 mm 3 15/64"	custom	custom	35x35 mm 1 3/8"x 1 3/8"

.XX = FINISH CODE

STAINLESS STEEL

- .43 BRIGHT STAINLESS STEEL (ANSI/BHMA 629 - USD32)
- .44 SATIN STAINLESS STEEL (ANSI/BHMA 630 - USD32D)

STAINLESS STEEL POWDER-COATED ON REQUEST

- .40 BLACK RAL 9005 MAT - TO MATCH WITH PBA BLACK ALUMINUM
- .26 BLACK RAL 9005 GLOSSY
- .31 WHITE RAL 9010
- .32 GREY
- .38 CHAMPAGNE
- .39 BRONZE - TO MATCH WITH PBA BRONZE ALUMINUM
- .36 ARCHITECTURAL BRONZE
- .56 MEDIUM BRONZE
- .41 SILVER
- .55 GOLD

- .99 COLOURS ON REQUEST TO MATCH ANY RAL #
(screws, grub screws and plastic parts non powdercoated)
available on request depending on quantities

EDGE COMPONENT:

- BLACK FOR DARK COLOR POWDER
- GREY FOR LIGHT COLOR POWDER AND STAINLESS STEEL

DOOR PREPARATION DP3
page K-Lock_236

SPACERS FOR DOUBLE GLAZED DOOR
KLO.KIT.9QU2
page K-Lock_235

THESE PRODUCTS CONTRIBUTE TO LEED® CREDITS

THE MANUFACTURER RESERVES THE RIGHT TO ALTER, IMPROVE AND DISCONTINUE ANY FEATURES OF THE PRODUCT (MAKE CHANGES AND IMPROVEMENTS IN DESIGNS AND DIMENSIONS) WITHOUT NOTICE.

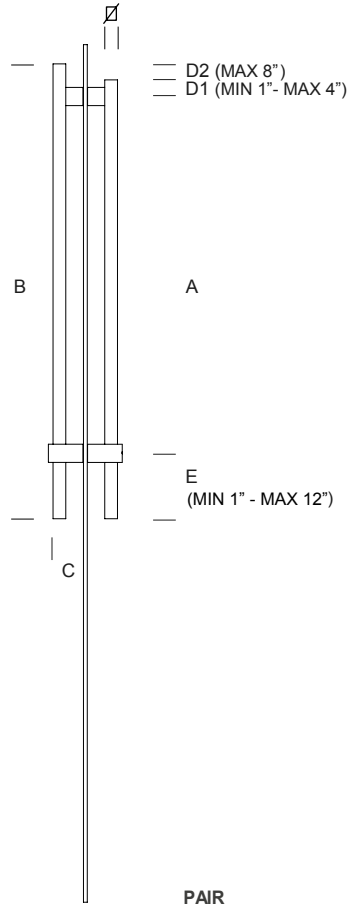
ALL DIMENSIONS IN THE CATALOG DRAWINGS ARE APPROXIMATIONS. REQUEST THE APPROPRIATE TECHNICAL DRAWING BEFORE DOOR PREPARATION AND INSTALLATION.



Declare

NON LOCKING TO MATCH PULL ON
page K-Lock_22

NON LOCKING
HALF SIZE



ADA
10"
clearance
l a y o u t

BACK TO BACK FIXING KIT
ALWAYS INCLUDED
SUITABLE FOR GLASS /
WOOD / METAL DOOR

PAIR	ITEM	A	B	C	D	E	\varnothing
	KLO.QG2.99ZU. xx	custom	custom	82,20 mm 3 15/64"	custom	custom	35x35 mm 1 3/8" x 1 3/8"

.XX = FINISH CODE

STAINLESS STEEL

- .43 BRIGHT STAINLESS STEEL (ANSI/BHMA 629 - USD32)
- .44 SATIN STAINLESS STEEL (ANSI/BHMA 630 - USD32D)

STAINLESS STEEL POWDER-COATED ON REQUEST

- .40 BLACK RAL 9005 MAT - TO MATCH WITH PBA BLACK ALUMINUM
- .26 BLACK RAL 9005 GLOSSY
- .31 WHITE RAL 9010
- .32 GREY
- .38 CHAMPAGNE
- .39 BRONZE - TO MATCH WITH PBA BRONZE ALUMINUM
- .36 ARCHITECTURAL BRONZE
- .56 MEDIUM BRONZE
- .41 SILVER
- .55 GOLD

- .99 COLOURS ON REQUEST TO MATCH ANY RAL #
(screws, grub screws and plastic parts non powdercoated)
available on request depending on quantities

EDGE COMPONENT:

BLACK FOR DARK COLOR POWDER
GREY FOR LIGHT COLOR POWDER AND STAINLESS STEEL

DOOR PREPARATION DP3
page K-Lock_236

SPACERS FOR DOUBLE GLAZED DOOR
KLO.KIT.9QU2
page K-Lock_235

THESE PRODUCTS CONTRIBUTE TO LEED® CREDITS

THE MANUFACTURER RESERVES THE RIGHT TO ALTER, IMPROVE AND DISCONTINUE ANY FEATURES OF THE PRODUCT (MAKE CHANGES AND IMPROVEMENTS IN DESIGNS AND DIMENSIONS) WITHOUT NOTICE.

ALL DIMENSIONS IN THE CATALOG DRAWINGS ARE APPROXIMATIONS. REQUEST THE APPROPRIATE TECHNICAL DRAWING BEFORE DOOR PREPARATION AND INSTALLATION.



Declare™

NON LOCKING TO MATCH PULL ON
page K-Lock_23-24

PROGRAMMA K-LOCK KLP



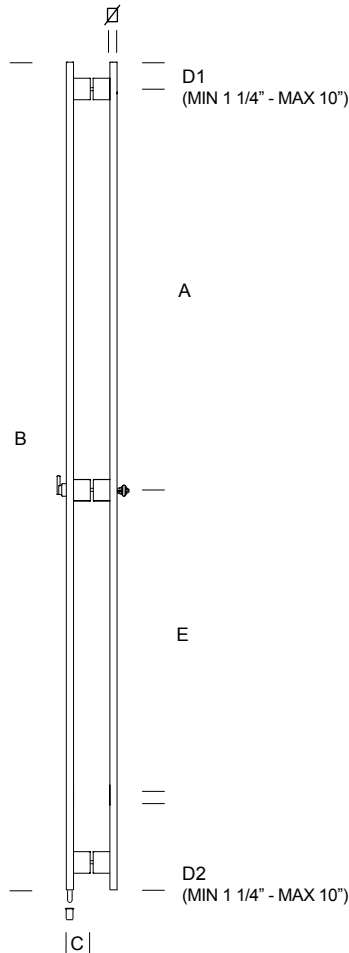
SUPPORTO
POST



CILINDRO PROFILO AMERICANO RIM
AMERICAN RIM CYLINDER



LOCKING
FULL SIZE



CYLINDER NOT INCLUDED



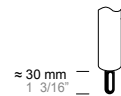
RIM CYLINDER WITH IC



RIM CYLINDER



ADA COMPLIANT THUMBTURN



ADJUSTABLE STEEL DEAD BOLT



DUST-FREE FLOOR SOCKET

- BRAND OF COMPATIBLE RIM CYLINDER:**
- ARROW
 - CORBIN RUSSWIN
 - MEDECO
 - SCHLAGE
 - BEST
 - KABAILCO
 - SARGENT
 - YALE

PAIR

	ITEM	A	B	C	D1	D2	E	Ø
PAIR	KLP.0F4.000U. xx	1050 mm 41 11/32"	2200 mm 86 5/8"	67 mm 2 5/8"	75 mm 2 15/16"	75 mm 2 15/16"	1000 mm 39 3/8"	50x20 mm 1 31/32"x 25/32"
BOTTOM LOCKING	KLP.0F4.0U72. xx	custom	1828 mm 72"	67 mm 2 5/8"	custom	custom	custom	50x20 mm 1 31/32"x 25/32"
	KLP.0F4.0U84. xx	custom	2133 mm 84"	67 mm 2 5/8"	custom	custom	custom	50x20 mm 1 31/32"x 25/32"
	KLP.0F4.999U. xx	custom	custom	67 mm 2 5/8"	custom	custom	custom	50x20 mm 1 31/32"x 25/32"
PAIR	KLP.0F6.000U. xx	1050 mm 41 11/32"	2200 mm 86 5/8"	67 mm 2 5/8"	75 mm 2 15/16"	75 mm 2 15/16"	1000 mm 39 3/8"	50x20 mm 1 31/32"x 25/32"
TOP/BOTTOM LOCKING	KLP.0F6.999U. xx	custom	custom	67 mm 2 5/8"	custom	custom	custom	50x20 mm 1 31/32"x 25/32"

.XX = FINISH CODE

- STAINLESS STEEL**
- .43 BRIGHT STAINLESS STEEL (ANSI/BHMA 629 - USD32)
 - .44 SATIN STAINLESS STEEL (ANSI/BHMA 630 - USD32D)
- STAINLESS STEEL POWDER-COATED ON REQUEST**
- .40 BLACK RAL 9005 MAT - TO MATCH WITH PBA BLACK ALUMINUM
 - .26 BLACK RAL 9005 GLOSSY
 - .31 WHITE RAL 9010
 - .32 GREY
 - .38 CHAMPAGNE
 - .39 BRONZE - TO MATCH WITH PBA BRONZE ALUMINUM
 - .36 ARCHITECTURAL BRONZE
 - .56 MEDIUM BRONZE
 - .41 SILVER
 - .55 GOLD

- .99 COLOURS ON REQUEST TO MATCH ANY RAL # (screws, grub screws and plastic parts non powdercoated) available on request depending on quantities

EDGE COMPONENT:
BLACK FOR DARK COLOR POWDER
GREY FOR LIGHT COLOR POWDER AND STAINLESS STEEL

DOOR PREPARATION DP1
page K-Lock_234

SPACERS FOR DOUBLE GLAZED DOOR
KLP.KIT.9994
page K-Lock_231 - page K-Lock_232

STRIKE DETAILS
page K-Lock_228

THESE PRODUCTS CONTRIBUTE TO LEED® CREDITS

THE MANUFACTURER RESERVES THE RIGHT TO ALTER, IMPROVE AND DISCONTINUE ANY FEATURES OF THE PRODUCT (MAKE CHANGES AND IMPROVEMENTS IN DESIGNS AND DIMENSIONS) WITHOUT NOTICE.

ALL DIMENSIONS IN THE CATALOG DRAWINGS ARE APPROXIMATIONS. REQUEST THE APPROPRIATE TECHNICAL DRAWING BEFORE DOOR PREPARATION AND INSTALLATION.

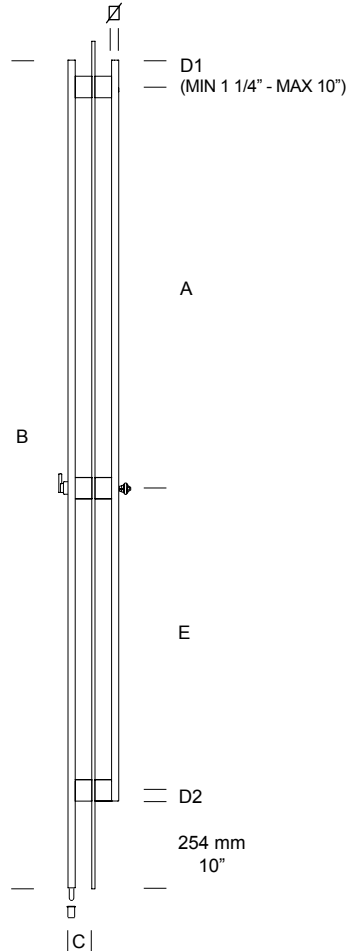


Declare

COMBINED NON LOCKING
page K-Lock_42
ITEM
KLP.0G4.000U
KLP.0G4.999U
KLP.0G4.0U72
KLP.0G4.0U84

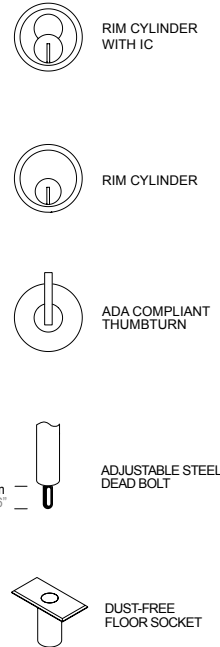


LOCKING
FULL SIZE



ADA
10"
clearance
Layout

CYLINDER NOT INCLUDED



BRAND OF COMPATIBLE RIM CYLINDER:

- ARROW	- BEST
- CORBIN RUSSWIN	- KABAILCO
- MEDECO	- SARGENT
- SCHLAGE	- YALE

PAIR
BOTTOM
LOCKING



ITEM	A	B	C	D1	D2	E	Ø
KLP.0F4.00TU. xx	1050 mm 41 11/32"	2200 mm 86 5/8"	67 mm 2 5/8"	75 mm 2 15/16"	31,75 mm 1 1/4"	789 mm 31 1/16"	50x20 mm 1 31/32" x 25/32"
KLP.0F4.TU72. xx	custom	1828 mm 72"	67 mm 2 5/8"	custom	31,75 mm 1 1/4"	custom	50x20 mm 1 31/32" x 25/32"
KLP.0F4.TU84. xx	custom	2133 mm 84"	67 mm 2 5/8"	custom	31,75 mm 1 1/4"	custom	50x20 mm 1 31/32" x 25/32"
KLP.0F4.99TU. xx	custom	custom	67 mm 2 5/8"	custom	31,75 mm 1 1/4"	custom	50x20 mm 1 31/32" x 25/32"

.XX = FINISH CODE

- STAINLESS STEEL**
- .43 BRIGHT STAINLESS STEEL (ANSI/BHMA 629 - USD32)
 - .44 SATIN STAINLESS STEEL (ANSI/BHMA 630 - USD32D)
- STAINLESS STEEL POWDER-COATED ON REQUEST**
- .40 BLACK RAL 9005 MAT - TO MATCH WITH PBA BLACK ALUMINUM
 - .26 BLACK RAL 9005 GLOSSY
 - .31 WHITE RAL 9010
 - .32 GREY
 - .38 CHAMPAGNE
 - .39 BRONZE - TO MATCH WITH PBA BRONZE ALUMINUM
 - .36 ARCHITECTURAL BRONZE
 - .56 MEDIUM BRONZE
 - .41 SILVER
 - .55 GOLD

- .99 COLOURS ON REQUEST TO MATCH ANY RAL #
(screws, grub screws and plastic parts non powdercoated)
available on request depending on quantities

EDGE COMPONENT:
BLACK FOR DARK COLOR POWDER
GREY FOR LIGHT COLOR POWDER AND STAINLESS STEEL

DOOR PREPARATION DP1
page K-Lock_234

SPACERS FOR DOUBLE GLAZED DOOR
KLP.KIT.9994
page K-Lock_231 - page K-Lock_232

THESE PRODUCTS CONTRIBUTE TO **LEED®** CREDITS

THE MANUFACTURER RESERVES THE RIGHT TO ALTER, IMPROVE AND DISCONTINUE ANY FEATURES OF THE PRODUCT (MAKE CHANGES AND IMPROVEMENTS IN DESIGNS AND DIMENSIONS) WITHOUT NOTICE.

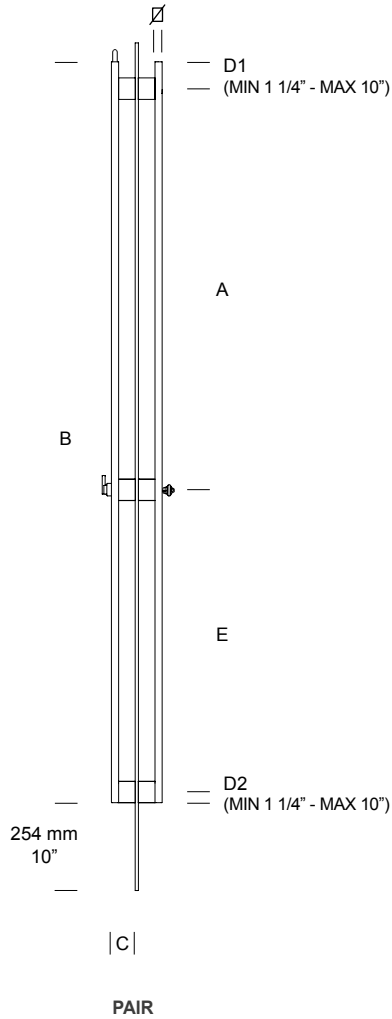
ALL DIMENSIONS IN THE CATALOG DRAWINGS ARE APPROXIMATIONS. REQUEST THE APPROPRIATE TECHNICAL DRAWING BEFORE DOOR PREPARATION AND INSTALLATION.



COMBINED NON LOCKING
page K-Lock_43
ITEM
KLP.0G4.00TU
KLP.0G4.99TU
KLP.0G4.TU72
KLP.0G4.TU84



LOCKING
FULL SIZE



ADA
10"
clearance
l a y o u t

CYLINDER NOT INCLUDED



RIM CYLINDER WITH IC



RIM CYLINDER



ADA COMPLIANT THUMBTURN



ADJUSTABLE STEEL DEAD BOLT



DUST-FREE FLOOR SOCKET

BRAND OF COMPATIBLE RIM CYLINDER:	
- ARROW	- BEST
- CORBIN RUSSWIN	- KABAILCO
- MEDECO	- SARGENT
- SCHLAGE	- YALE

PAIR
TOP
LOCKING



ITEM	A	B	C	D1	D2	E	∅
KLP.0F4.00RU. xx	1050 mm 41 11/32"	1945 mm 76 9/16"	67 mm 2 5/8"	75 mm 2 15/16"	31,75 mm 1 1/4"	789 mm 31 1/16"	50x20 mm 1 31/32"x 25/32"
KLP.0F4.RU72. xx	custom	1828 mm 72"	67 mm 2 5/8"	custom	custom	custom	50x20 mm 1 31/32"x 25/32"
KLP.0F4.99RU. xx	custom	custom	67 mm 2 5/8"	custom	custom	custom	50x20 mm 1 31/32"x 25/32"

.XX = FINISH CODE

STAINLESS STEEL

- .43 BRIGHT STAINLESS STEEL (ANSI/BHMA 629 - USD32)
- .44 SATIN STAINLESS STEEL (ANSI/BHMA 630 - USD32D)

STAINLESS STEEL POWDER-COATED ON REQUEST

- .40 BLACK RAL 9005 MAT - TO MATCH WITH PBA BLACK ALUMINUM
- .26 BLACK RAL 9005 GLOSSY
- .31 WHITE RAL 9010
- .32 GREY
- .38 CHAMPAGNE
- .39 BRONZE - TO MATCH WITH PBA BRONZE ALUMINUM
- .36 ARCHITECTURAL BRONZE
- .56 MEDIUM BRONZE
- .41 SILVER
- .55 GOLD

- .99 COLOURS ON REQUEST TO MATCH ANY RAL #
(screws, grub screws and plastic parts non powdercoated)
available on request depending on quantities

EDGE COMPONENT:

BLACK FOR DARK COLOR POWDER
GREY FOR LIGHT COLOR POWDER AND STAINLESS STEEL

DOOR PREPARATION DP1
page K-Lock_234

SPACERS FOR DOUBLE GLAZED DOOR
KLP.KIT.9994
page K-Lock_231 - page K-Lock_232

STRIKE DETAILS
page K-Lock_228

THESE PRODUCTS CONTRIBUTE TO LEED® CREDITS

THE MANUFACTURER RESERVES THE RIGHT TO ALTER, IMPROVE AND DISCONTINUE ANY FEATURES OF THE PRODUCT (MAKE CHANGES AND IMPROVEMENTS IN DESIGNS AND DIMENSIONS) WITHOUT NOTICE.

ALL DIMENSIONS IN THE CATALOG DRAWINGS ARE APPROXIMATIONS. REQUEST THE APPROPRIATE TECHNICAL DRAWING BEFORE DOOR PREPARATION AND INSTALLATION.



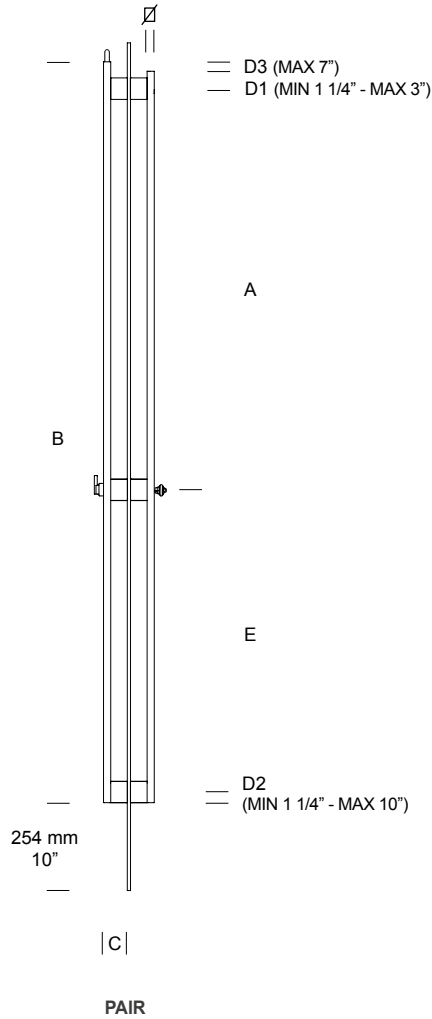
Declare.

COMBINED NON LOCKING
page K-Lock_44

ITEM
KLP.0G4.00RU
KLP.0G4.99RU
KLP.0G4.RU72



**LOCKING
FULL SIZE**



ADA
10"
clearance
Layout

CYLINDER NOT INCLUDED



BRAND OF COMPATIBLE RIM CYLINDER:	
- ARROW	- BEST
- CORBIN RUSSWIN	- KABAILCO
- MEDECO	- SARGENT
- SCHLAGE	- YALE

ITEM	A	B	C	D1	D2	D3	E	∅
PAIR TOP LOCKING KLP.0F4.9ZU1. xx	custom	custom	67 mm 2 5/8"	custom	custom	custom	custom	50x20 mm 1 31/32" x 25/32"

.XX = FINISH CODE

- STAINLESS STEEL**
- .43 BRIGHT STAINLESS STEEL (ANSI/BHMA 629 - USD32)
 - .44 SATIN STAINLESS STEEL (ANSI/BHMA 630 - USD32D)
- STAINLESS STEEL POWDER-COATED ON REQUEST**
- .40 BLACK RAL 9005 MAT - TO MATCH WITH PBA BLACK ALUMINUM
 - .26 BLACK RAL 9005 GLOSSY
 - .31 WHITE RAL 9010
 - .32 GREY
 - .38 CHAMPAGNE
 - .39 BRONZE - TO MATCH WITH PBA BRONZE ALUMINUM
 - .36 ARCHITECTURAL BRONZE
 - .56 MEDIUM BRONZE
 - .41 SILVER
 - .55 GOLD

- .99 COLOURS ON REQUEST TO MATCH ANY RAL #
(screws, grub screws and plastic parts non powdercoated)
available on request depending on quantities

EDGE COMPONENT:
BLACK FOR DARK COLOR POWDER
GREY FOR LIGHT COLOR POWDER AND STAINLESS STEEL

DOOR PREPARATION DP1
page K-Lock_234

SPACERS FOR DOUBLE GLAZED DOOR
KLP.KIT.9994
page K-Lock_231 - page K-Lock_232

STRIKE DETAILS
page K-Lock_228

THESE PRODUCTS CONTRIBUTE TO **LEED®** CREDITS

THE MANUFACTURER RESERVES THE RIGHT TO ALTER, IMPROVE AND DISCONTINUE ANY FEATURES OF THE PRODUCT (MAKE CHANGES AND IMPROVEMENTS IN DESIGNS AND DIMENSIONS) WITHOUT NOTICE.

ALL DIMENSIONS IN THE CATALOG DRAWINGS ARE APPROXIMATIONS. REQUEST THE APPROPRIATE TECHNICAL DRAWING BEFORE DOOR PREPARATION AND INSTALLATION.



Declare.

COMBINED NON LOCKING
page K-Lock_45

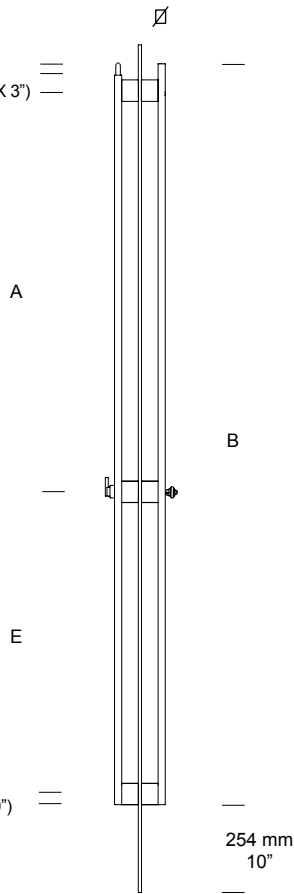
ITEM
KLP.0G4.99ZU



**LOCKING
FULL SIZE**



D3 (MAX 7")
D1 (MIN 1 1/4" - MAX 3")



D2 (MIN 1 1/4" - MAX 10")

254 mm
10"

|C|

PAIR

ADA
10"
clearance
l a y o u t

CYLINDER NOT INCLUDED



RIM CYLINDER WITH IC



RIM CYLINDER



ADA COMPLIANT THUMBTURN



ADJUSTABLE STEEL DEAD BOLT



DUST-FREE FLOOR SOCKET

BRAND OF COMPATIBLE RIM CYLINDER:
 - ARROW - BEST
 - CORBIN RUSSWIN - KABAILCO
 - MEDECO - SARGENT
 - SCHLAGE - YALE

PAIR

TOP LOCKING



ITEM	A	B	C	D1	D2	D3	E	Ø
KLP.0F4.9ZU2. xx	custom	custom	67 mm 2 5/8"	custom	custom	custom	custom	50x20 mm 1 31/32" x 25/32"

.XX = FINISH CODE

STAINLESS STEEL

- .43 BRIGHT STAINLESS STEEL (ANSI/BHMA 629 - USD32)
- .44 SATIN STAINLESS STEEL (ANSI/BHMA 630 - USD32D)

STAINLESS STEEL POWDER-COATED ON REQUEST

- .40 BLACK RAL 9005 MAT - TO MATCH WITH PBA BLACK ALUMINUM
- .26 BLACK RAL 9005 GLOSSY
- .31 WHITE RAL 9010
- .32 GREY
- .38 CHAMPAGNE
- .39 BRONZE - TO MATCH WITH PBA BRONZE ALUMINUM
- .36 ARCHITECTURAL BRONZE
- .56 MEDIUM BRONZE
- .41 SILVER
- .55 GOLD

- .99 COLOURS ON REQUEST TO MATCH ANY RAL # (screws, grub screws and plastic parts non powdercoated) available on request depending on quantities

EDGE COMPONENT:

BLACK FOR DARK COLOR POWDER
GREY FOR LIGHT COLOR POWDER AND STAINLESS STEEL

DOOR PREPARATION DP1
page K-Lock_234

SPACERS FOR DOUBLE GLAZED DOOR
KLP.KIT.9994
page K-Lock_231 - page K-Lock_232

STRIKE DETAILS
page K-Lock_228

THESE PRODUCTS CONTRIBUTE TO **LEED®** CREDITS

THE MANUFACTURER RESERVES THE RIGHT TO ALTER, IMPROVE AND DISCONTINUE ANY FEATURES OF THE PRODUCT (MAKE CHANGES AND IMPROVEMENTS IN DESIGNS AND DIMENSIONS) WITHOUT NOTICE.

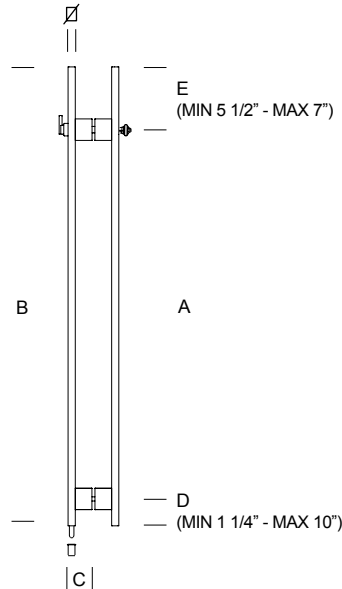
ALL DIMENSIONS IN THE CATALOG DRAWINGS ARE APPROXIMATIONS. REQUEST THE APPROPRIATE TECHNICAL DRAWING BEFORE DOOR PREPARATION AND INSTALLATION.



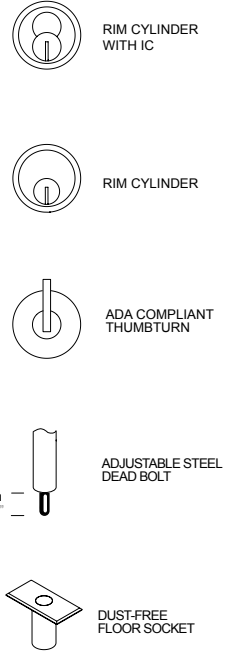
COMBINED NON LOCKING
page K-Lock_45

ITEM
KLP.0G4.99ZU

LOCKING
HALF SIZE



CYLINDER NOT INCLUDED



PAIR

BRAND OF COMPATIBLE RIM CYLINDER:	
- ARROW	- BEST
- CORBIN RUSSWIN	- KABAILCO
- MEDECO	- SARGENT
- SCHLAGE	- YALE

	ITEM	A	B	C	D	E	Ø
PAIR BOTTOM LOCKING	KLP.0F2.000U. xx	1000 mm 39 3/8"	1250 mm 49 1/4"	67 mm 2 5/8"	75 mm 2 15/16"	175 mm 6 7/8"	50x20 mm 1 31/32" x 25/32"
	KLP.0F2.0U48. xx	custom	1219 mm 48"	67 mm 2 5/8"	custom	custom	50x20 mm 1 31/32" x 25/32"
	KLP.0F2.0U60. xx	custom	1524 mm 60"	67 mm 2 5/8"	custom	custom	50x20 mm 1 31/32" x 25/32"
	KLP.0F2.999U. xx	custom	custom	67 mm 2 5/8"	custom	custom	50x20 mm 1 31/32" x 25/32"

.XX = FINISH CODE

STAINLESS STEEL

- .43 BRIGHT STAINLESS STEEL (ANSI/BHMA 629 - USD32)
- .44 SATIN STAINLESS STEEL (ANSI/BHMA 630 - USD32D)

STAINLESS STEEL POWDER-COATED ON REQUEST

- .40 BLACK RAL 9005 MAT - TO MATCH WITH PBA BLACK ALUMINUM
- .26 BLACK RAL 9005 GLOSSY
- .31 WHITE RAL 9010
- .32 GREY
- .38 CHAMPAGNE
- .39 BRONZE - TO MATCH WITH PBA BRONZE ALUMINUM
- .36 ARCHITECTURAL BRONZE
- .56 MEDIUM BRONZE
- .41 SILVER
- .55 GOLD

- .99 COLOURS ON REQUEST TO MATCH ANY RAL # (screws, grub screws and plastic parts non powdercoated) available on request depending on quantities

EDGE COMPONENT:

BLACK FOR DARK COLOR POWDER
GREY FOR LIGHT COLOR POWDER AND STAINLESS STEEL

DOOR PREPARATION DP2
page K-Lock_235

SPACERS FOR DOUBLE GLAZED DOOR
KLP.KIT.9992
page K-Lock_231 - page K-Lock_232

THESE PRODUCTS CONTRIBUTE TO LEED® CREDITS

THE MANUFACTURER RESERVES THE RIGHT TO ALTER, IMPROVE AND DISCONTINUE ANY FEATURES OF THE PRODUCT (MAKE CHANGES AND IMPROVEMENTS IN DESIGNS AND DIMENSIONS) WITHOUT NOTICE.

ALL DIMENSIONS IN THE CATALOG DRAWINGS ARE APPROXIMATIONS. REQUEST THE APPROPRIATE TECHNICAL DRAWING BEFORE DOOR PREPARATION AND INSTALLATION.

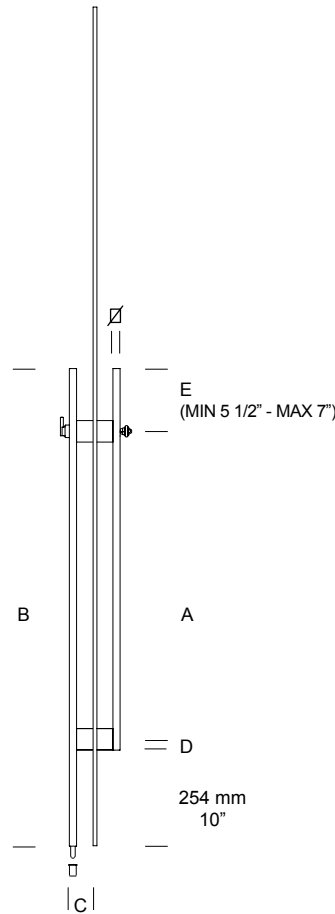


COMBINED NON LOCKING
page K-Lock_46

ITEM
KLP.0G2.000U
KLP.0G2.999U
KLP.0G2.0U48
KLP.0G2.0U60



LOCKING
HALF SIZE



PAIR

ADA
10"
clearance
layout

CYLINDER NOT INCLUDED



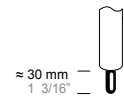
RIM CYLINDER
WITH IC



RIM CYLINDER



ADA COMPLIANT
THUMBTURN



ADJUSTABLE STEEL
DEAD BOLT



DUST-FREE
FLOOR SOCKET

BRAND OF COMPATIBLE RIM CYLINDER:	
- ARROW	- BEST
- CORBIN RUSSWIN	- KABAILCO
- MEDECO	- SARGENT
- SCHLAGE	- YALE

	ITEM	A	B	C	D	E	∅
PAIR	KLP.0F2.00TU. xx	789 mm 31 1/16"	1250 mm 49 1/4"	67 mm 2 5/8"	31,75 mm 1 1/4"	175 mm 6 7/8"	50x20 mm 1 31/32" x 25/32"
BOTTOM LOCKING	KLP.0F2.TU48. xx	custom	1219 mm 48"	67 mm 2 5/8"	31,75 mm 1 1/4"	custom	50x20 mm 1 31/32" x 25/32"
	KLP.0F2.TU60. xx	custom	1524 mm 60"	67 mm 2 5/8"	31,75 mm 1 1/4"	custom	50x20 mm 1 31/32" x 25/32"
	KLP.0F2.99TU. xx	custom	custom	67 mm 2 5/8"	31,75 mm 1 1/4"	custom	50x20 mm 1 31/32" x 25/32"

.XX = FINISH CODE

STAINLESS STEEL

- .43 BRIGHT STAINLESS STEEL (ANSI/BHMA 629 - USD32)
- .44 SATIN STAINLESS STEEL (ANSI/BHMA 630 - USD32D)

STAINLESS STEEL POWDER-COATED ON REQUEST

- .40 BLACK RAL 9005 MAT - TO MATCH WITH PBA BLACK ALUMINUM
- .26 BLACK RAL 9005 GLOSSY
- .31 WHITE RAL 9010
- .32 GREY
- .38 CHAMPAGNE
- .39 BRONZE - TO MATCH WITH PBA BRONZE ALUMINUM
- .36 ARCHITECTURAL BRONZE
- .56 MEDIUM BRONZE
- .41 SILVER
- .55 GOLD

- .99 COLOURS ON REQUEST TO MATCH ANY RAL #
(screws, grub screws and plastic parts non powdercoated)
available on request depending on quantities

EDGE COMPONENT:

BLACK FOR DARK COLOR POWDER
GREY FOR LIGHT COLOR POWDER AND STAINLESS STEEL

DOOR PREPARATION DP2
page K-Lock_235

SPACERS FOR DOUBLE GLAZED DOOR
KLP.KIT.9992
page K-Lock_231 - page K-Lock_232

THESE PRODUCTS CONTRIBUTE TO LEED® CREDITS

THE MANUFACTURER RESERVES THE RIGHT TO ALTER, IMPROVE AND DISCONTINUE ANY FEATURES OF THE PRODUCT (MAKE CHANGES AND IMPROVEMENTS IN DESIGNS AND DIMENSIONS) WITHOUT NOTICE.

ALL DIMENSIONS IN THE CATALOG DRAWINGS ARE APPROXIMATIONS. REQUEST THE APPROPRIATE TECHNICAL DRAWING BEFORE DOOR PREPARATION AND INSTALLATION.



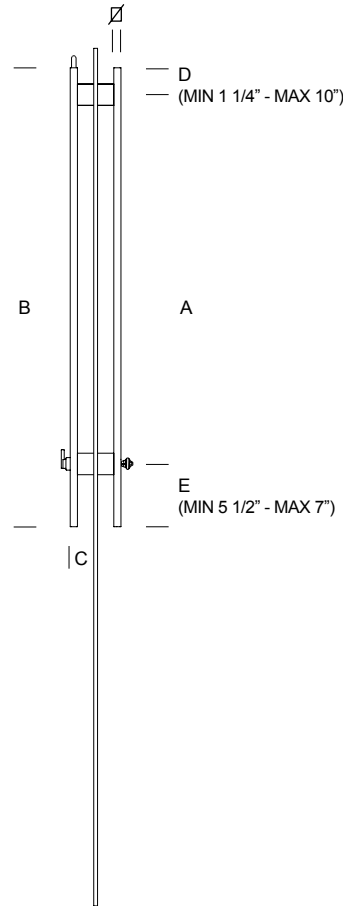
Declare.

COMBINED NON LOCKING
page K-Lock_47

ITEM
KLP.0G2.00TU
KLP.0G2.99TU
KLP.0G2.TU48
KLP.0G2.TU60



**LOCKING
HALF SIZE**



ADA
10"
clearance
Layout

CYLINDER NOT INCLUDED



BRAND OF COMPATIBLE RIM CYLINDER:	
- ARROW	- BEST
- CORBIN RUSSWIN	- KABAILCO
- MEDECO	- SARGENT
- SCHLAGE	- YALE

PAIR

PAIR

TOP LOCKING



ITEM	A	B	C	D	E	∅
KLP.0F2.00RU . xx	1050 mm 41 11/32"	1300 mm 51 3/16"	67 mm 2 5/8"	75 mm 2 15/16"	175 mm 6 7/8"	50x20 mm 1 31/32" x 25/32"
KLP.0F2.RU48 . xx	custom	1219 mm 48"	67 mm 2 5/8"	custom	custom	50x20 mm 1 31/32" x 25/32"
KLP.0F2.RU60 . xx	custom	1524 mm 60"	67 mm 2 5/8"	custom	custom	50x20 mm 1 31/32" x 25/32"
KLP.0F2.RU72 . xx	custom	1828 mm 72"	67 mm 2 5/8"	custom	custom	50x20 mm 1 31/32" x 25/32"
KLP.0F2.99RU . xx	custom	custom	67 mm 2 5/8"	custom	custom	50x20 mm 1 31/32" x 25/32"

.XX = FINISH CODE

STAINLESS STEEL

- .43 BRIGHT STAINLESS STEEL (ANSI/BHMA 629 - USD32)
- .44 SATIN STAINLESS STEEL (ANSI/BHMA 630 - USD32D)

STAINLESS STEEL POWDER-COATED ON REQUEST

- .40 BLACK RAL 9005 MAT - TO MATCH WITH PBA BLACK ALUMINUM
- .26 BLACK RAL 9005 GLOSSY
- .31 WHITE RAL 9010
- .32 GREY
- .38 CHAMPAGNE
- .39 BRONZE - TO MATCH WITH PBA BRONZE ALUMINUM
- .36 ARCHITECTURAL BRONZE
- .56 MEDIUM BRONZE
- .41 SILVER
- .55 GOLD

- .99 COLOURS ON REQUEST TO MATCH ANY RAL # (screws, grub screws and plastic parts non powdercoated) available on request depending on quantities

EDGE COMPONENT:

BLACK FOR DARK COLOR POWDER
GREY FOR LIGHT COLOR POWDER AND STAINLESS STEEL

DOOR PREPARATION DP3
page K-Lock_236

SPACERS FOR DOUBLE GLAZED DOOR
KLP.KIT.99R2
page K-Lock_231 - page K-Lock_232

STRIKE DETAILS
page K-Lock_228

THESE PRODUCTS CONTRIBUTE TO **LEED®** CREDITS

THE MANUFACTURER RESERVES THE RIGHT TO ALTER, IMPROVE AND DISCONTINUE ANY FEATURES OF THE PRODUCT (MAKE CHANGES AND IMPROVEMENTS IN DESIGNS AND DIMENSIONS) WITHOUT NOTICE.

ALL DIMENSIONS IN THE CATALOG DRAWINGS ARE APPROXIMATIONS. REQUEST THE APPROPRIATE TECHNICAL DRAWING BEFORE DOOR PREPARATION AND INSTALLATION.

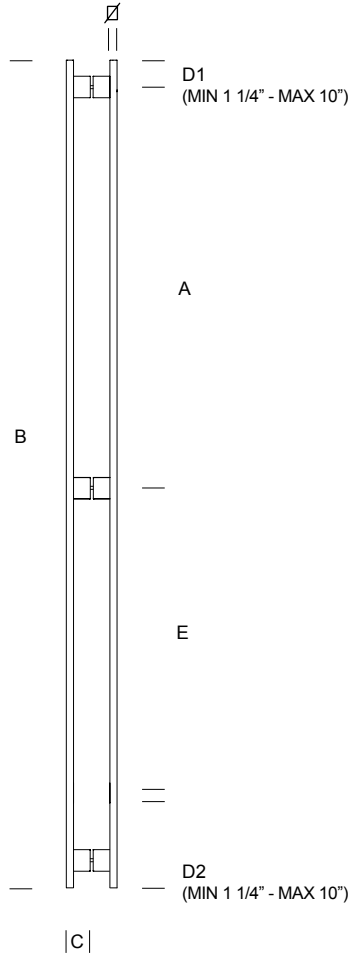


COMBINED NON LOCKING
page K-Lock_48

ITEM
KLP.0G2.00RU
KLP.0G2.99RU
KLP.0G2.RU48
KLP.0G2.RU60
KLP.0G2.RU72



NON LOCKING
FULL SIZE



BACK TO BACK FIXING KIT
ALWAYS INCLUDED
SUITABLE FOR GLASS /
WOOD / METAL DOOR

PAIR

PAIR	ITEM	A	B	C	D1	D2	E	∅
	KLP.0G4.000U. xx	1050 mm 41 11/32"	2200 mm 86 5/8"	67 mm 2 5/8"	75 mm 2 15/16"	75 mm 2 15/16"	1000 mm 39 3/8"	50x20 mm 1 31/32"x 25/32"
	KLP.0G4.0U72. xx	custom	1828 mm 72"	67 mm 2 5/8"	custom	custom	custom	50x20 mm 1 31/32"x 25/32"
	KLP.0G4.0U84. xx	custom	2133 mm 84"	67 mm 2 5/8"	custom	custom	custom	50x20 mm 1 31/32"x 25/32"
	KLP.0G4.999U. xx	custom	custom	67 mm 2 5/8"	custom	custom	custom	50x20 mm 1 31/32"x 25/32"

.XX = FINISH CODE

STAINLESS STEEL

- .43 BRIGHT STAINLESS STEEL (ANSI/BHMA 629 - USD32)
- .44 SATIN STAINLESS STEEL (ANSI/BHMA 630 - USD32D)

STAINLESS STEEL POWDER-COATED ON REQUEST

- .40 BLACK RAL 9005 MAT - TO MATCH WITH PBA BLACK ALUMINUM
- .26 BLACK RAL 9005 GLOSSY
- .31 WHITE RAL 9010
- .32 GREY
- .38 CHAMPAGNE
- .39 BRONZE - TO MATCH WITH PBA BRONZE ALUMINUM
- .36 ARCHITECTURAL BRONZE
- .56 MEDIUM BRONZE
- .41 SILVER
- .55 GOLD

- .99 COLOURS ON REQUEST TO MATCH ANY RAL #
(screws, grub screws and plastic parts non powdercoated)
available on request depending on quantities

EDGE COMPONENT:

BLACK FOR DARK COLOR POWDER
GREY FOR LIGHT COLOR POWDER AND STAINLESS STEEL

DOOR PREPARATION DP1
page K-Lock_234

SPACERS FOR DOUBLE GLAZED DOOR
KLP.KIT.9994
page K-Lock_231 - page K-Lock_232

THESE PRODUCTS CONTRIBUTE TO LEED® CREDITS

THE MANUFACTURER RESERVES THE RIGHT TO ALTER, IMPROVE AND DISCONTINUE ANY FEATURES OF THE PRODUCT (MAKE CHANGES AND IMPROVEMENTS IN DESIGNS AND DIMENSIONS) WITHOUT NOTICE.

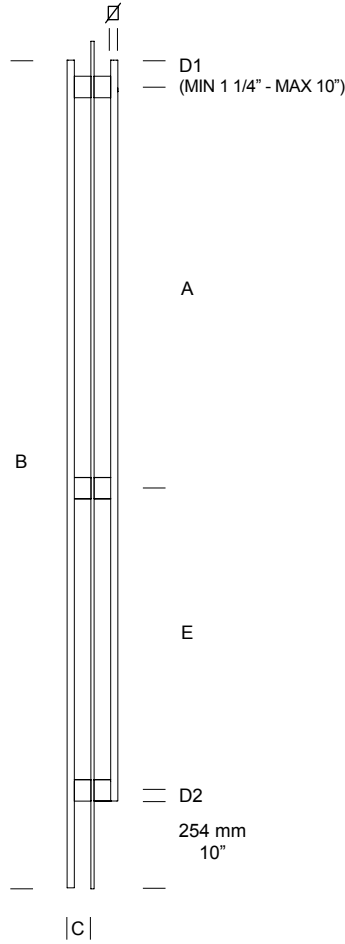
ALL DIMENSIONS IN THE CATALOG DRAWINGS ARE APPROXIMATIONS. REQUEST THE APPROPRIATE TECHNICAL DRAWING BEFORE DOOR PREPARATION AND INSTALLATION.



Declare

NON LOCKING TO MATCH PULL ON
page K-Lock_34

NON LOCKING
FULL SIZE



ADA
10"
clearance
Layout

BACK TO BACK FIXING KIT
ALWAYS INCLUDED
SUITABLE FOR GLASS /
WOOD / METAL DOOR

PAIR

PAIR	ITEM	A	B	C	D1	D2	E	∅
	KLP.0G4.00TU. xx	1050 mm 41 11/32"	2200 mm 86 5/8"	67 mm 2 5/8"	75 mm 2 15/16"	31,75 mm 1 1/4"	789 mm 31 1/16"	50x20 mm 1 31/32" x 25/32"
	KLP.0G4.TU72. xx	custom	1828 mm 72"	67 mm 2 5/8"	custom	31,75 mm 1 1/4"	custom	50x20 mm 1 31/32" x 25/32"
	KLP.0G4.TU84. xx	custom	2133 mm 84"	67 mm 2 5/8"	custom	31,75 mm 1 1/4"	custom	50x20 mm 1 31/32" x 25/32"
	KLP.0G4.99TU. xx	custom	custom	67 mm 2 5/8"	custom	31,75 mm 1 1/4"	custom	50x20 mm 1 31/32" x 25/32"

.XX = FINISH CODE

STAINLESS STEEL

- .43 BRIGHT STAINLESS STEEL (ANSI/BHMA 629 - USD32)
- .44 SATIN STAINLESS STEEL (ANSI/BHMA 630 - USD32D)

STAINLESS STEEL POWDER-COATED ON REQUEST

- .40 BLACK RAL 9005 MAT - TO MATCH WITH PBA BLACK ALUMINUM
- .26 BLACK RAL 9005 GLOSSY
- .31 WHITE RAL 9010
- .32 GREY
- .38 CHAMPAGNE
- .39 BRONZE - TO MATCH WITH PBA BRONZE ALUMINUM
- .36 ARCHITECTURAL BRONZE
- .56 MEDIUM BRONZE
- .41 SILVER
- .55 GOLD

- .99 COLOURS ON REQUEST TO MATCH ANY RAL #
(screws, grub screws and plastic parts non powdercoated)
available on request depending on quantities

EDGE COMPONENT:

BLACK FOR DARK COLOR POWDER
GREY FOR LIGHT COLOR POWDER AND STAINLESS STEEL

DOOR PREPARATION DP1
page K-Lock_234

SPACERS FOR DOUBLE GLAZED DOOR
KLP.KIT.9994
page K-Lock_231 - page K-Lock_232

THESE PRODUCTS CONTRIBUTE TO **LEED®** CREDITS

THE MANUFACTURER RESERVES THE RIGHT TO ALTER, IMPROVE AND DISCONTINUE ANY FEATURES OF THE PRODUCT (MAKE CHANGES AND IMPROVEMENTS IN DESIGNS AND DIMENSIONS) WITHOUT NOTICE.

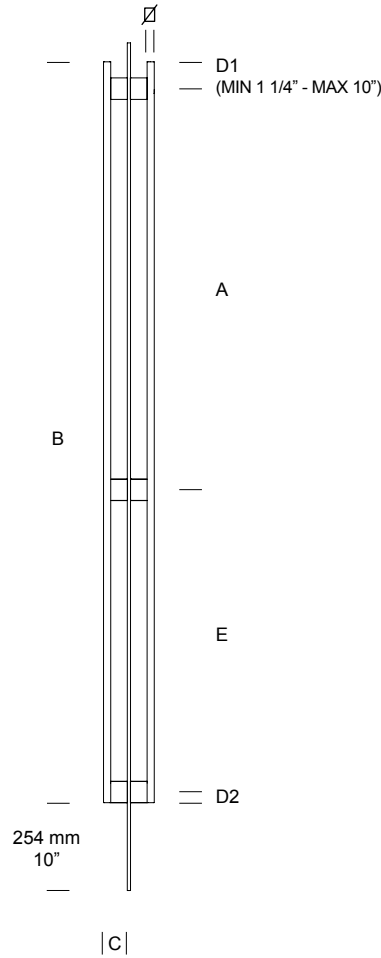
ALL DIMENSIONS IN THE CATALOG DRAWINGS ARE APPROXIMATIONS. REQUEST THE APPROPRIATE TECHNICAL DRAWING BEFORE DOOR PREPARATION AND INSTALLATION.



Declare.

NON LOCKING TO MATCH PULL ON
page K-Lock_35

NON LOCKING
FULL SIZE



ADA
10"
clearance
Layout

BACK TO BACK FIXING KIT
ALWAYS INCLUDED
SUITABLE FOR GLASS /
WOOD / METAL DOOR

PAIR

	ITEM	A	B	C	D1	D2	E	Ø
PAIR	KLP.0G4.00RU. xx	1050 mm 41 11/32"	1945 mm 76 9/16"	67 mm 2 5/8"	75 mm 2 15/16"	31,75 mm 1 1/4"	789 mm 31 1/16"	50x20 mm 1 31/32"x 25/32"
	KLP.0G4.RU72. xx	custom	1828 mm 72"	67 mm 2 5/8"	custom	custom	custom	50x20 mm 1 31/32"x 25/32"
	KLP.0G4.99RU. xx	custom	custom	67 mm 2 5/8"	custom	custom	custom	50x20 mm 1 31/32"x 25/32"

.XX = FINISH CODE

STAINLESS STEEL

- .43 BRIGHT STAINLESS STEEL (ANSI/BHMA 629 - USD32)
- .44 SATIN STAINLESS STEEL (ANSI/BHMA 630 - USD32D)

STAINLESS STEEL POWDER-COATED ON REQUEST

- .40 BLACK RAL 9005 MAT - TO MATCH WITH PBA BLACK ALUMINUM
- .26 BLACK RAL 9005 GLOSSY
- .31 WHITE RAL 9010
- .32 GREY
- .38 CHAMPAGNE
- .39 BRONZE - TO MATCH WITH PBA BRONZE ALUMINUM
- .36 ARCHITECTURAL BRONZE
- .56 MEDIUM BRONZE
- .41 SILVER
- .55 GOLD

- .99 COLOURS ON REQUEST TO MATCH ANY RAL #
(screws, grub screws and plastic parts non powdercoated)
available on request depending on quantities

EDGE COMPONENT:

BLACK FOR DARK COLOR POWDER
GREY FOR LIGHT COLOR POWDER AND STAINLESS STEEL

DOOR PREPARATION DP1
page K-Lock_234

SPACERS FOR DOUBLE GLAZED DOOR
KLP.KIT.9994
page K-Lock_231 - page K-Lock_232

THESE PRODUCTS CONTRIBUTE TO LEED® CREDITS

THE MANUFACTURER RESERVES THE RIGHT TO ALTER, IMPROVE AND DISCONTINUE ANY FEATURES OF THE PRODUCT (MAKE CHANGES AND IMPROVEMENTS IN DESIGNS AND DIMENSIONS) WITHOUT NOTICE.

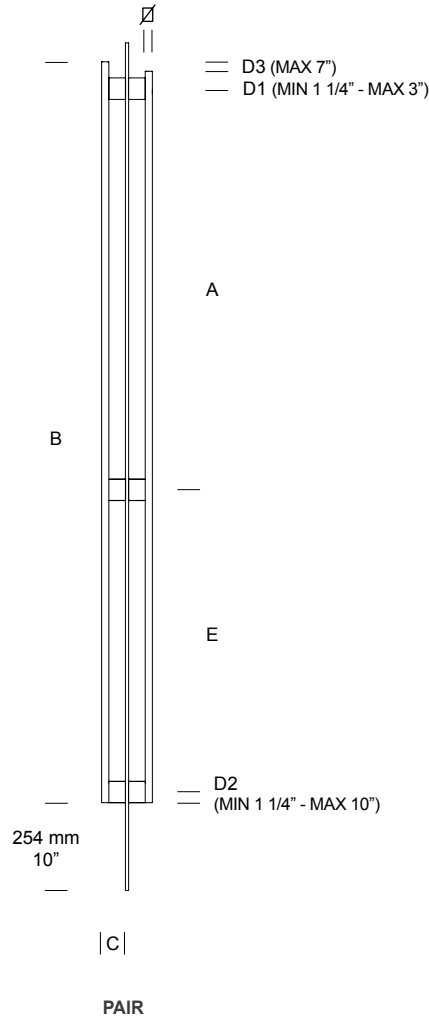
ALL DIMENSIONS IN THE CATALOG DRAWINGS ARE APPROXIMATIONS. REQUEST THE APPROPRIATE TECHNICAL DRAWING BEFORE DOOR PREPARATION AND INSTALLATION.



Declare

NON LOCKING TO MATCH PULL ON
page K-Lock_36

NON LOCKING
FULL SIZE



ADA
10"
clearance
Layout

BACK TO BACK FIXING KIT
ALWAYS INCLUDED
SUITABLE FOR GLASS /
WOOD / METAL DOOR

PAIR	ITEM	A	B	C	D1	D2	D3	E	Ø
	KLP.0G4.99ZU .xx	custom	custom	67 mm 2 5/8"	custom	custom	custom	custom	50x20 mm 1 31/32"x 25/32"

.XX = FINISH CODE

STAINLESS STEEL

- .43 BRIGHT STAINLESS STEEL (ANSI/BHMA 629 - USD32)
- .44 SATIN STAINLESS STEEL (ANSI/BHMA 630 - USD32D)

STAINLESS STEEL POWDER-COATED ON REQUEST

- .40 BLACK RAL 9005 MAT - TO MATCH WITH PBA BLACK ALUMINUM
- .26 BLACK RAL 9005 GLOSSY
- .31 WHITE RAL 9010
- .32 GREY
- .38 CHAMPAGNE
- .39 BRONZE - TO MATCH WITH PBA BRONZE ALUMINUM
- .36 ARCHITECTURAL BRONZE
- .56 MEDIUM BRONZE
- .41 SILVER
- .55 GOLD

- .99 COLOURS ON REQUEST TO MATCH ANY RAL #
(screws, grub screws and plastic parts non powdercoated)
available on request depending on quantities

EDGE COMPONENT:

BLACK FOR DARK COLOR POWDER
GREY FOR LIGHT COLOR POWDER AND STAINLESS STEEL

DOOR PREPARATION DP1
page K-Lock_234

SPACERS FOR DOUBLE GLAZED DOOR
KLP.KIT.9994
page K-Lock_231 - page K-Lock_232

THESE PRODUCTS CONTRIBUTE TO LEED® CREDITS

THE MANUFACTURER RESERVES THE RIGHT TO ALTER, IMPROVE AND DISCONTINUE ANY FEATURES OF THE PRODUCT (MAKE CHANGES AND IMPROVEMENTS IN DESIGNS AND DIMENSIONS) WITHOUT NOTICE.

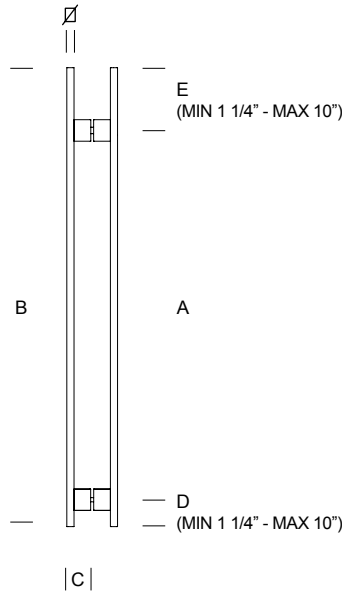
ALL DIMENSIONS IN THE CATALOG DRAWINGS ARE APPROXIMATIONS. REQUEST THE APPROPRIATE TECHNICAL DRAWING BEFORE DOOR PREPARATION AND INSTALLATION.



Declare

NON LOCKING TO MATCH PULL ON
page K-Lock_37-38

NON LOCKING
HALF SIZE



BACK TO BACK FIXING KIT
ALWAYS INCLUDED
SUITABLE FOR GLASS /
WOOD / METAL DOOR

PAIR

PAIR	ITEM	A	B	C	D	E	Ø
	KLP.0G2.000U. xx	1000 mm 39 3/8"	1250 mm 49 1/4"	67 mm 2 5/8"	75 mm 2 15/16"	175 mm 6 7/8"	50x20 mm 1 31/32"x 25/32"
	KLP.0G2.0U48. xx	custom	1219 mm 48"	67 mm 2 5/8"	custom	custom	50x20 mm 1 31/32"x 25/32"
	KLP.0G2.0U60. xx	custom	1524 mm 60"	67 mm 2 5/8"	custom	custom	50x20 mm 1 31/32"x 25/32"
	KLP.0G2.999U. xx	custom	custom	67 mm 2 5/8"	custom	custom	50x20 mm 1 31/32"x 25/32"

.XX = FINISH CODE

STAINLESS STEEL

- .43 BRIGHT STAINLESS STEEL (ANSI/BHMA 629 - USD32)
- .44 SATIN STAINLESS STEEL (ANSI/BHMA 630 - USD32D)

STAINLESS STEEL POWDER-COATED ON REQUEST

- .40 BLACK RAL 9005 MAT - TO MATCH WITH PBA BLACK ALUMINUM
- .26 BLACK RAL 9005 GLOSSY
- .31 WHITE RAL 9010
- .32 GREY
- .38 CHAMPAGNE
- .39 BRONZE - TO MATCH WITH PBA BRONZE ALUMINUM
- .36 ARCHITECTURAL BRONZE
- .56 MEDIUM BRONZE
- .41 SILVER
- .55 GOLD

- .99 COLOURS ON REQUEST TO MATCH ANY RAL #
(screws, grub screws and plastic parts non powdercoated)
available on request depending on quantities

EDGE COMPONENT:

BLACK FOR DARK COLOR POWDER
GREY FOR LIGHT COLOR POWDER AND STAINLESS STEEL

DOOR PREPARATION DP2

page K-Lock_235

SPACERS FOR DOUBLE GLAZED DOOR

KLP.KIT.9992
page K-Lock_231 - page K-Lock_232

THESE PRODUCTS CONTRIBUTE TO LEED® CREDITS

THE MANUFACTURER RESERVES THE RIGHT TO ALTER, IMPROVE AND DISCONTINUE ANY FEATURES OF THE PRODUCT (MAKE CHANGES AND IMPROVEMENTS IN DESIGNS AND DIMENSIONS) WITHOUT NOTICE.

ALL DIMENSIONS IN THE CATALOG DRAWINGS ARE APPROXIMATIONS. REQUEST THE APPROPRIATE TECHNICAL DRAWING BEFORE DOOR PREPARATION AND INSTALLATION.



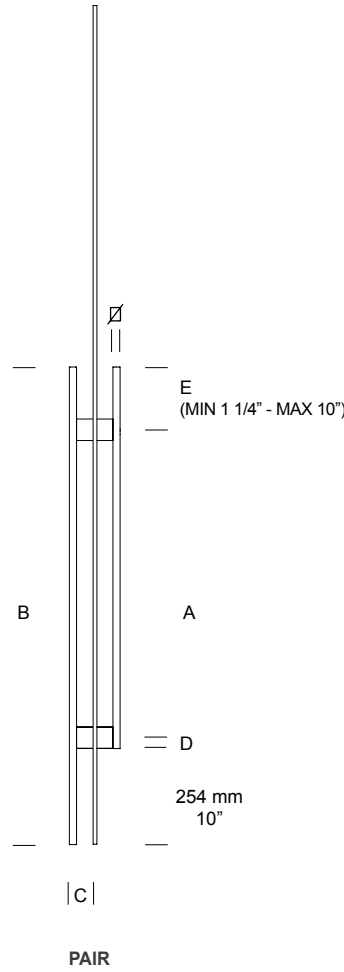
Declare

NON LOCKING TO MATCH PULL ON
page K-Lock_39

NON LOCKING
HALF SIZE

ADA
10"
clearance
Layout

BACK TO BACK FIXING KIT
ALWAYS INCLUDED
SUITABLE FOR GLASS /
WOOD / METAL DOOR



PAIR	ITEM	A	B	C	D	E	∅
	KLP.0G2.00TU. xx	789 mm 31 1/16"	1250 mm 49 1/4"	67 mm 2 5/8"	31,75 mm 1 1/4"	175 mm 6 7/8"	50x20 mm 1 31/32" x 25/32"
	KLP.0G2.TU48. xx	custom	1219 mm 48"	67 mm 2 5/8"	31,75 mm 1 1/4"	custom	50x20 mm 1 31/32" x 25/32"
	KLP.0G2.TU60. xx	custom	1524 mm 60"	67 mm 2 5/8"	31,75 mm 1 1/4"	custom	50x20 mm 1 31/32" x 25/32"
	KLP.0G2.99TU. xx	custom	custom	67 mm 2 5/8"	31,75 mm 1 1/4"	custom	50x20 mm 1 31/32" x 25/32"

.XX = FINISH CODE

STAINLESS STEEL

- .43 BRIGHT STAINLESS STEEL (ANSI/BHMA 629 - USD32)
- .44 SATIN STAINLESS STEEL (ANSI/BHMA 630 - USD32D)

STAINLESS STEEL POWDER-COATED ON REQUEST

- .40 BLACK RAL 9005 MAT - TO MATCH WITH PBA BLACK ALUMINUM
- .26 BLACK RAL 9005 GLOSSY
- .31 WHITE RAL 9010
- .32 GREY
- .38 CHAMPAGNE
- .39 BRONZE - TO MATCH WITH PBA BRONZE ALUMINUM
- .36 ARCHITECTURAL BRONZE
- .56 MEDIUM BRONZE
- .41 SILVER
- .55 GOLD

- .99 COLOURS ON REQUEST TO MATCH ANY RAL #
(screws, grub screws and plastic parts non powdercoated)
available on request depending on quantities

EDGE COMPONENT:

BLACK FOR DARK COLOR POWDER
GREY FOR LIGHT COLOR POWDER AND STAINLESS STEEL

DOOR PREPARATION DP2
page K-Lock_235

SPACERS FOR DOUBLE GLAZED DOOR
KLP.KIT.9992
page K-Lock_231 - page K-Lock_232

THESE PRODUCTS CONTRIBUTE TO LEED® CREDITS

THE MANUFACTURER RESERVES THE RIGHT TO ALTER, IMPROVE AND DISCONTINUE ANY FEATURES OF THE PRODUCT (MAKE CHANGES AND IMPROVEMENTS IN DESIGNS AND DIMENSIONS) WITHOUT NOTICE.

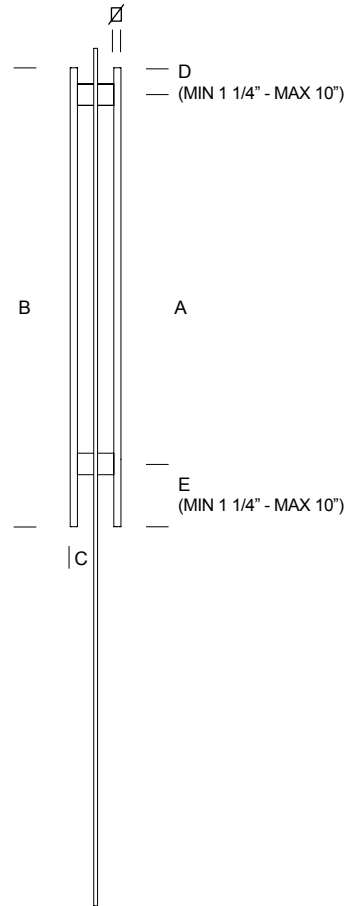
ALL DIMENSIONS IN THE CATALOG DRAWINGS ARE APPROXIMATIONS. REQUEST THE APPROPRIATE TECHNICAL DRAWING BEFORE DOOR PREPARATION AND INSTALLATION.



Declare

NON LOCKING TO MATCH PULL ON
page K-Lock_40

NON LOCKING
HALF SIZE



ADA
10"
clearance
Layout

BACK TO BACK FIXING KIT
ALWAYS INCLUDED
SUITABLE FOR GLASS /
WOOD / METAL DOOR

PAIR

PAIR	ITEM	A	B	C	D	E	Ø
	KLP.0G2.00RU. xx	1050 mm 41 11/32"	1300 mm 51 3/16"	67 mm 2 5/8"	75 mm 2 15/16"	175 mm 6 7/8"	50x20 mm 1 31/32" x 25/32"
	KLP.0G2.RU48. xx	custom	1219 mm 48"	67 mm 2 5/8"	custom	custom	50x20 mm 1 31/32" x 25/32"
	KLP.0G2.RU60. xx	custom	1524 mm 60"	67 mm 2 5/8"	custom	custom	50x20 mm 1 31/32" x 25/32"
	KLP.0G2.RU72. xx	custom	1828 mm 72"	67 mm 2 5/8"	custom	custom	50x20 mm 1 31/32" x 25/32"
	KLP.0G2.99RU. xx	custom	custom	67 mm 2 5/8"	custom	custom	50x20 mm 1 31/32" x 25/32"

.XX = FINISH CODE

STAINLESS STEEL

- .43 BRIGHT STAINLESS STEEL (ANSI/BHMA 629 - USD32)
- .44 SATIN STAINLESS STEEL (ANSI/BHMA 630 - USD32D)

STAINLESS STEEL POWDER-COATED ON REQUEST

- .40 BLACK RAL 9005 MAT - TO MATCH WITH PBA BLACK ALUMINUM
- .26 BLACK RAL 9005 GLOSSY
- .31 WHITE RAL 9010
- .32 GREY
- .38 CHAMPAGNE
- .39 BRONZE - TO MATCH WITH PBA BRONZE ALUMINUM
- .36 ARCHITECTURAL BRONZE
- .56 MEDIUM BRONZE
- .41 SILVER
- .55 GOLD

- .99 COLOURS ON REQUEST TO MATCH ANY RAL #
(screws, grub screws and plastic parts non powdercoated)
available on request depending on quantities

EDGE COMPONENT:

- BLACK FOR DARK COLOR POWDER
- GREY FOR LIGHT COLOR POWDER AND STAINLESS STEEL

DOOR PREPARATION DP3

page K-Lock_236

SPACERS FOR DOUBLE GLAZED DOOR

KLP.KIT.99R2
page K-Lock_231- page K-Lock_232

THESE PRODUCTS CONTRIBUTE TO LEED® CREDITS

THE MANUFACTURER RESERVES THE RIGHT TO ALTER, IMPROVE AND DISCONTINUE ANY FEATURES OF THE PRODUCT (MAKE CHANGES AND IMPROVEMENTS IN DESIGNS AND DIMENSIONS) WITHOUT NOTICE.

ALL DIMENSIONS IN THE CATALOG DRAWINGS ARE APPROXIMATIONS. REQUEST THE APPROPRIATE TECHNICAL DRAWING BEFORE DOOR PREPARATION AND INSTALLATION.



Declare

NON LOCKING TO MATCH PULL ON
page K-Lock_41

PBA
PATENTED
SYSTEM

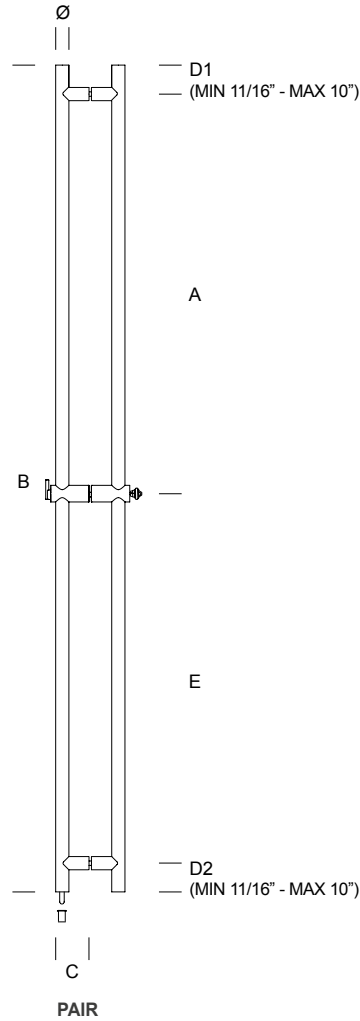


SUPPORTO
POST



CILINDRO PROFILO AMERICANO RIM
AMERICAN RIM CYLINDER

LOCKING
FULL SIZE



PBA
PATENTED
SYSTEM

PATENT
102019000012465

CYLINDER NOT INCLUDED



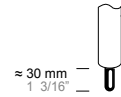
RIM CYLINDER
WITH IC



RIM CYLINDER



ADA COMPLIANT
THUMBTURN



ADJUSTABLE STEEL
DEAD BOLT

≈ 30 mm
1 3/16"



DUST-FREE
FLOOR SOCKET

BRAND OF COMPATIBLE RIM CYLINDER:

- ARROW
- CORBIN RUSSWIN
- MEDECO
- SCHLAGE
- BEST
- KABAILCO
- SARGENT
- YALE

	ITEM	A	B	C	D1	D2	E	Ø
PAIR	KLO.004.000U. xx	1050 mm 41 11/32"	2200 mm 86 5/8"	80 mm 3 1/8"	75 mm 2 15/16"	75 mm 2 15/16"	1000 mm 39 3/8"	35 mm 1 3/8"
BOTTOM LOCKING	KLO.004.0U72. xx	custom	1828 mm 72"	80 mm 3 1/8"	custom	custom	custom	35 mm 1 3/8"
	KLO.004.0U84. xx	custom	2133 mm 84"	80 mm 3 1/8"	custom	custom	custom	35 mm 1 3/8"
	KLO.004.999U. xx	custom	custom	80 mm 3 1/8"	custom	custom	custom	35 mm 1 3/8"
PAIR	KLO.006.000U. xx	1050 mm 41 11/32"	2200 mm 86 5/8"	80 mm 3 1/8"	75 mm 2 15/16"	75 mm 2 15/16"	1000 mm 39 3/8"	35 mm 1 3/8"
	KLO.006.999U. xx	custom	custom	80 mm 3 1/8"	custom	custom	custom	35 mm 1 3/8"

.XX = FINISH CODE

STAINLESS STEEL

- .43 BRIGHT STAINLESS STEEL (ANSI/BHMA 629 - USD32)
- .44 SATIN STAINLESS STEEL (ANSI/BHMA 630 - USD32D)

STAINLESS STEEL POWDER-COATED ON REQUEST

- .40 BLACK RAL 9005 MAT - TO MATCH WITH PBA BLACK ALUMINUM
- .26 BLACK RAL 9005 GLOSSY
- .31 WHITE RAL 9010
- .32 GREY
- .38 CHAMPAGNE
- .39 BRONZE - TO MATCH WITH PBA BRONZE ALUMINUM
- .36 ARCHITECTURAL BRONZE
- .56 MEDIUM BRONZE
- .41 SILVER
- .55 GOLD

- .99 COLOURS ON REQUEST TO MATCH ANY RAL #
(screws, grub screws and plastic parts non powdercoated)
available on request depending on quantities

EDGE COMPONENT:

BLACK FOR DARK COLOR POWDER
GREY FOR LIGHT COLOR POWDER AND STAINLESS STEEL

DOOR PREPARATION DP1
page K-Lock_234

SPACERS FOR DOUBLE GLAZED DOOR
KLO.KIT.99U4
page K-Lock_231 - page K-Lock_232

STRIKE DETAILS
page K-Lock_228

THESE PRODUCTS CONTRIBUTE TO LEED® CREDITS

THE MANUFACTURER RESERVES THE RIGHT TO ALTER, IMPROVE AND DISCONTINUE ANY FEATURES OF THE PRODUCT (MAKE CHANGES AND IMPROVEMENTS IN DESIGNS AND DIMENSIONS) WITHOUT NOTICE.

ALL DIMENSIONS IN THE CATALOG DRAWINGS ARE APPROXIMATIONS. REQUEST THE APPROPRIATE TECHNICAL DRAWING BEFORE DOOR PREPARATION AND INSTALLATION.

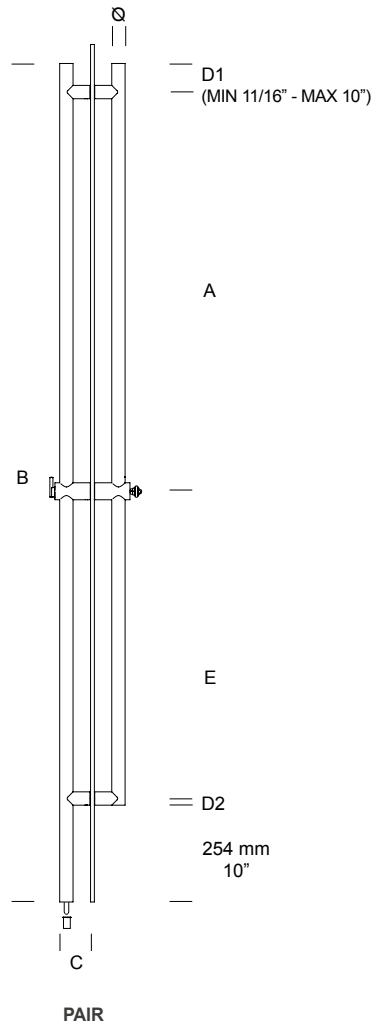


COMBINED NON LOCKING
page K-Lock_60

ITEM
KLO.0G4.000U
KLO.0G4.999U
KLO.0G4.0U72
KLO.0G4.0U84



LOCKING
FULL SIZE



ADA
10"
clearance
l a y o u t

P B A
P A T E N T E D
S Y S T E M

PATENT
102019000012465

CYLINDER NOT INCLUDED



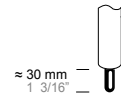
RIM CYLINDER
WITH IC



RIM CYLINDER



ADA COMPLIANT
THUMBTURN



ADJUSTABLE STEEL
DEAD BOLT



DUST-FREE
FLOOR SOCKET

BRAND OF COMPATIBLE RIM CYLINDER:

- ARROW
- CORBIN RUSSWIN
- MEDECO
- SCHLAGE
- BEST
- KABALCO
- SARGENT
- YALE

PAIR

BOTTOM
LOCKING



ITEM	A	B	C	D1	D2	E	Ø
KLO.004.00TU. xx	1050 mm 41 11/32"	2200 mm 86 5/8"	80 mm 3 1/8"	75 mm 2 15/16"	17,5 mm 11/16"	802 mm 31 9/16"	35 mm 1 3/8"
KLO.004.TU72. xx	custom	1828 mm 72"	80 mm 3 1/8"	custom	17,5 mm 11/16"	custom	35 mm 1 3/8"
KLO.004.TU84. xx	custom	2133 mm 84"	80 mm 3 1/8"	custom	17,5 mm 11/16"	custom	35 mm 1 3/8"
KLO.004.99TU. xx	custom	custom	80 mm 3 1/8"	custom	17,5 mm 11/16"	custom	35 mm 1 3/8"

.XX = FINISH CODE

STAINLESS STEEL

- .43 BRIGHT STAINLESS STEEL (ANSI/BHMA 629 - USD32)
- .44 SATIN STAINLESS STEEL (ANSI/BHMA 630 - USD32D)

STAINLESS STEEL POWDER-COATED ON REQUEST

- .40 BLACK RAL 9005 MAT - TO MATCH WITH PBA BLACK ALUMINUM
- .26 BLACK RAL 9005 GLOSSY
- .31 WHITE RAL 9010
- .32 GREY
- .38 CHAMPAGNE
- .39 BRONZE - TO MATCH WITH PBA BRONZE ALUMINUM
- .36 ARCHITECTURAL BRONZE
- .56 MEDIUM BRONZE
- .41 SILVER
- .55 GOLD

- .99 COLOURS ON REQUEST TO MATCH ANY RAL #
(screws, grub screws and plastic parts non powdercoated)
available on request depending on quantities

EDGE COMPONENT:

BLACK FOR DARK COLOR POWDER
GREY FOR LIGHT COLOR POWDER AND STAINLESS STEEL

DOOR PREPARATION DP1
page K-Lock_234

SPACERS FOR DOUBLE GLAZED DOOR
KLO.KIT.99U4
page K-Lock_231 - page K-Lock_232

THESE PRODUCTS CONTRIBUTE TO **LEED®** CREDITS

THE MANUFACTURER RESERVES THE RIGHT TO ALTER, IMPROVE AND DISCONTINUE ANY FEATURES OF THE PRODUCT (MAKE CHANGES AND IMPROVEMENTS IN DESIGNS AND DIMENSIONS) WITHOUT NOTICE.

ALL DIMENSIONS IN THE CATALOG DRAWINGS ARE APPROXIMATIONS. REQUEST THE APPROPRIATE TECHNICAL DRAWING BEFORE DOOR PREPARATION AND INSTALLATION.

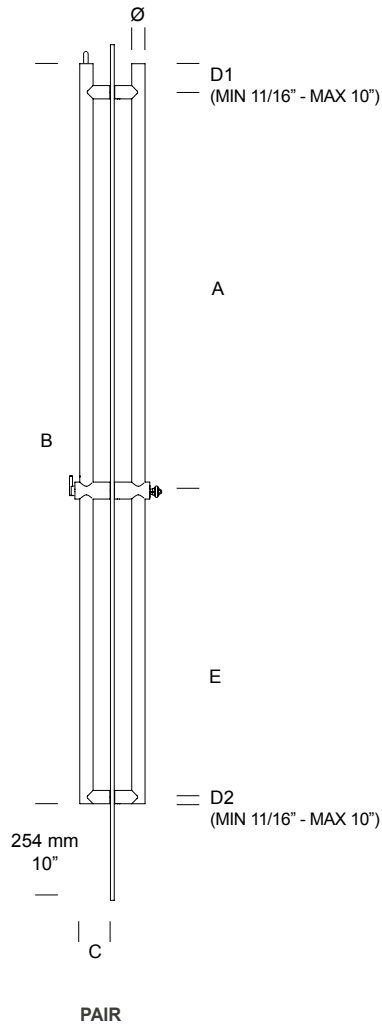


COMBINED NON LOCKING
page K-Lock_61

ITEM
KLO.0G4.00TU
KLO.0G4.99TU
KLO.0G4.TU72
KLO.0G4.TU84



LOCKING
FULL SIZE



ADA
10"
clearance
l a y o u t

P B A
P A T E N T E D
S Y S T E M

PATENT
102019000012465

CYLINDER NOT INCLUDED



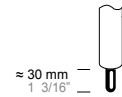
RIM CYLINDER
WITH IC



RIM CYLINDER



ADA COMPLIANT
THUMBTURN



ADJUSTABLE STEEL
DEAD BOLT



DUST-FREE
FLOOR SOCKET

BRAND OF COMPATIBLE RIM CYLINDER:

- ARROW
- CORBIN RUSSWIN
- MEDECO
- SCHLAGE
- BEST
- KABALCO
- SARGENT
- YALE

PAIR

TOP
LOCKING



ITEM	A	B	C	D1	D2	E	Ø
KLO.004.00RU. xx	1050 mm 41 11/32"	1945 mm 76 9/16"	80 mm 3 1/8"	75 mm 2 15/16"	17,5 mm 11/16"	802 mm 31 9/16"	35 mm 1 3/8"
KLO.004.RU72. xx	custom	1828 mm 72"	80 mm 3 1/8"	custom	custom	custom	35 mm 1 3/8"
KLO.004.99RU. xx	custom	custom	80 mm 3 1/8"	custom	custom	custom	35 mm 1 3/8"

.XX = FINISH CODE

STAINLESS STEEL

- .43 BRIGHT STAINLESS STEEL (ANSI/BHMA 629 - USD32)
- .44 SATIN STAINLESS STEEL (ANSI/BHMA 630 - USD32D)

STAINLESS STEEL POWDER-COATED ON REQUEST

- .40 BLACK RAL 9005 MAT - TO MATCH WITH PBA BLACK ALUMINUM
- .26 BLACK RAL 9005 GLOSSY
- .31 WHITE RAL 9010
- .32 GREY
- .38 CHAMPAGNE
- .39 BRONZE - TO MATCH WITH PBA BRONZE ALUMINUM
- .36 ARCHITECTURAL BRONZE
- .56 MEDIUM BRONZE
- .41 SILVER
- .55 GOLD

- .99 COLOURS ON REQUEST TO MATCH ANY RAL #
(screws, grub screws and plastic parts non powdercoated)
available on request depending on quantities

EDGE COMPONENT:

BLACK FOR DARK COLOR POWDER
GREY FOR LIGHT COLOR POWDER AND STAINLESS STEEL

DOOR PREPARATION DP1
page K-Lock_234

SPACERS FOR DOUBLE GLAZED DOOR
KLO.KIT.99U4
page K-Lock_231 - page K-Lock_232

STRIKE DETAILS
page K-Lock_228

THESE PRODUCTS CONTRIBUTE TO **LEED®** CREDITS

THE MANUFACTURER RESERVES THE RIGHT TO ALTER, IMPROVE AND DISCONTINUE ANY FEATURES OF THE PRODUCT (MAKE CHANGES AND IMPROVEMENTS IN DESIGNS AND DIMENSIONS) WITHOUT NOTICE.

ALL DIMENSIONS IN THE CATALOG DRAWINGS ARE APPROXIMATIONS. REQUEST THE APPROPRIATE TECHNICAL DRAWING BEFORE DOOR PREPARATION AND INSTALLATION.



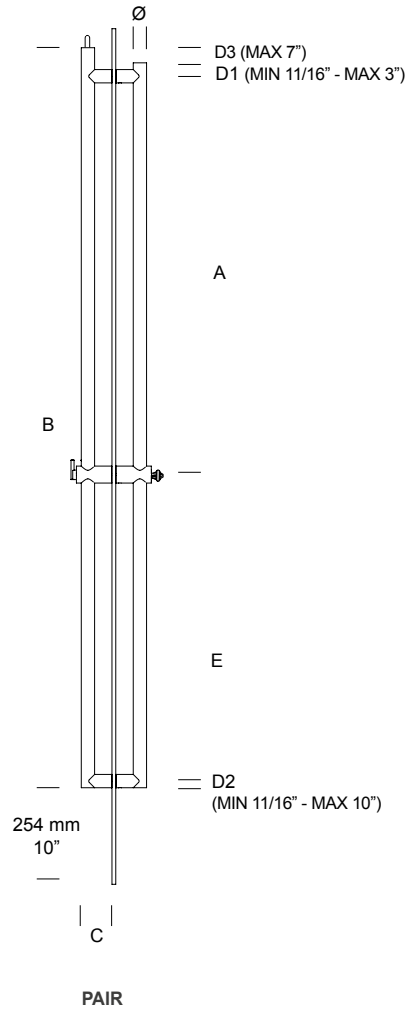
Declare.

COMBINED NON LOCKING
page K-Lock_62

ITEM
KLO.0G4.00RU
KLO.0G4.99RU
KLO.0G4.RU72



LOCKING FULL SIZE



ADA
10"
clearance
l a y o u t

P B A
P A T E N T E D
S Y S T E M

PATENT
102019000012465

CYLINDER NOT INCLUDED



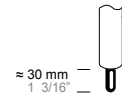
RIM CYLINDER WITH IC



RIM CYLINDER



ADA COMPLIANT THUMBTURN



ADJUSTABLE STEEL DEAD BOLT



DUST-FREE FLOOR SOCKET

BRAND OF COMPATIBLE RIM CYLINDER:
- ARROW - CORBIN RUSSWIN - MEDECO - SCHLAGE - BEST - KABALCO - SARGENT - YALE

PAIR	ITEM	A	B	C	D1	D2	D3	E	Ø
PAIR	KLO.004.9ZU1. xx	custom	custom	80 mm 3 1/8"	custom	custom	custom	custom	35 mm 1 3/8"
TOP LOCKING									

.XX = FINISH CODE

- STAINLESS STEEL**
.43 BRIGHT STAINLESS STEEL (ANSI/BHMA 629 - USD32)
.44 SATIN STAINLESS STEEL (ANSI/BHMA 630 - USD32D)
- STAINLESS STEEL POWDER-COATED ON REQUEST**
.40 BLACK RAL 9005 MAT - TO MATCH WITH PBA BLACK ALUMINUM
.26 BLACK RAL 9005 GLOSSY
.31 WHITE RAL 9010
.32 GREY
.38 CHAMPAGNE
.39 BRONZE - TO MATCH WITH PBA BRONZE ALUMINUM
.36 ARCHITECTURAL BRONZE
.56 MEDIUM BRONZE
.41 SILVER
.55 GOLD

- .99 COLOURS ON REQUEST TO MATCH ANY RAL #
(screws, grub screws and plastic parts non powdercoated)
available on request depending on quantities

EDGE COMPONENT:
BLACK FOR DARK COLOR POWDER
GREY FOR LIGHT COLOR POWDER AND STAINLESS STEEL

DOOR PREPARATION DP1
page K-Lock_234

SPACERS FOR DOUBLE GLAZED DOOR
KLO.KIT.99U4
page K-Lock_231 - page K-Lock_232

STRIKE DETAILS
page K-Lock_228

THESE PRODUCTS CONTRIBUTE TO **LEED®** CREDITS

THE MANUFACTURER RESERVES THE RIGHT TO ALTER, IMPROVE AND DISCONTINUE ANY FEATURES OF THE PRODUCT (MAKE CHANGES AND IMPROVEMENTS IN DESIGNS AND DIMENSIONS) WITHOUT NOTICE.

ALL DIMENSIONS IN THE CATALOG DRAWINGS ARE APPROXIMATIONS. REQUEST THE APPROPRIATE TECHNICAL DRAWING BEFORE DOOR PREPARATION AND INSTALLATION.

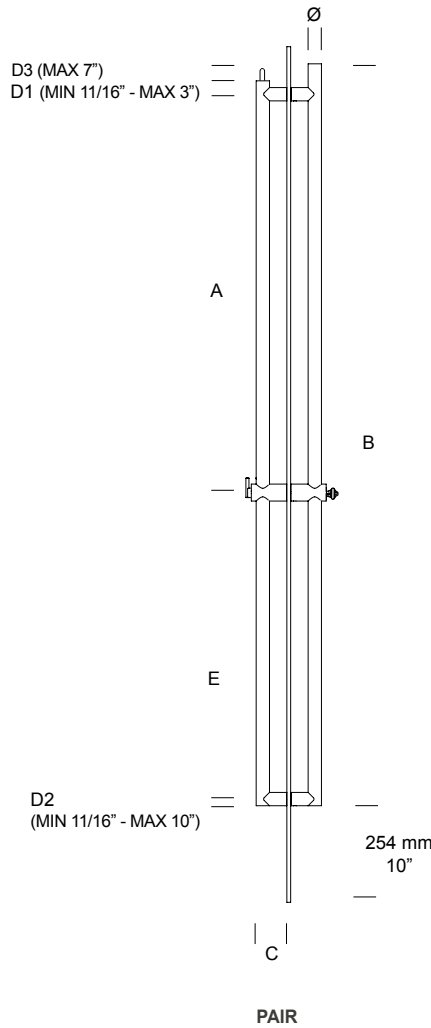


COMBINED NON LOCKING
page K-Lock_63

ITEM
KLO.0G4.99ZU



LOCKING FULL SIZE



ADA
10"
clearance
layout

PBA
PATENTED
SYSTEM

PATENT
102019000012465

CYLINDER NOT INCLUDED



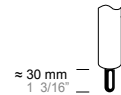
RIM CYLINDER WITH IC



RIM CYLINDER



ADA COMPLIANT THUMBTURN



ADJUSTABLE STEEL DEAD BOLT

≈ 30 mm
1 3/16"



DUST-FREE FLOOR SOCKET

BRAND OF COMPATIBLE RIM CYLINDER:

- ARROW
- CORBIN RUSSWIN
- MEDECO
- SCHLAGE
- BEST
- KABAILCO
- SARGENT
- YALE

	ITEM	A	B	C	D1	D2	D3	E	Ø
PAIR	KLO.004.9ZU2. xx	custom	custom	80 mm 3 1/8"	custom	custom	custom	custom	35 mm 1 3/8"
TOP LOCKING									

.XX = FINISH CODE

STAINLESS STEEL

- .43 BRIGHT STAINLESS STEEL (ANSI/BHMA 629 - USD32)
- .44 SATIN STAINLESS STEEL (ANSI/BHMA 630 - USD32D)

STAINLESS STEEL POWDER-COATED ON REQUEST

- .40 BLACK RAL 9005 MAT - TO MATCH WITH PBA BLACK ALUMINUM
- .26 BLACK RAL 9005 GLOSSY
- .31 WHITE RAL 9010
- .32 GREY
- .38 CHAMPAGNE
- .39 BRONZE - TO MATCH WITH PBA BRONZE ALUMINUM
- .36 ARCHITECTURAL BRONZE
- .56 MEDIUM BRONZE
- .41 SILVER
- .55 GOLD

- .99 COLOURS ON REQUEST TO MATCH ANY RAL #
(screws, grub screws and plastic parts non powdercoated)
available on request depending on quantities

EDGE COMPONENT:

BLACK FOR DARK COLOR POWDER
GREY FOR LIGHT COLOR POWDER AND STAINLESS STEEL

DOOR PREPARATION DP1
page K-Lock_234

SPACERS FOR DOUBLE GLAZED DOOR
KLO.KIT.99U4
page K-Lock_231 - page K-Lock_232

STRIKE DETAILS
page K-Lock_228

THESE PRODUCTS CONTRIBUTE TO LEED® CREDITS

THE MANUFACTURER RESERVES THE RIGHT TO ALTER, IMPROVE AND DISCONTINUE ANY FEATURES OF THE PRODUCT (MAKE CHANGES AND IMPROVEMENTS IN DESIGNS AND DIMENSIONS) WITHOUT NOTICE.

ALL DIMENSIONS IN THE CATALOG DRAWINGS ARE APPROXIMATIONS. REQUEST THE APPROPRIATE TECHNICAL DRAWING BEFORE DOOR PREPARATION AND INSTALLATION.



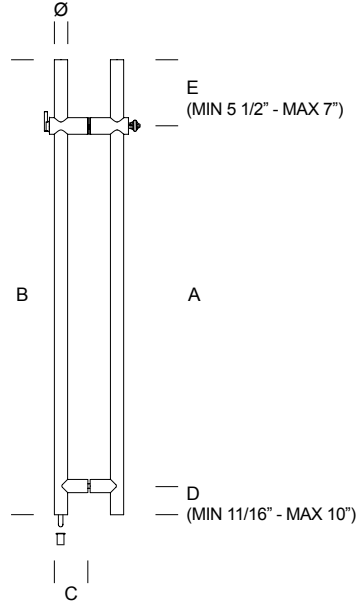
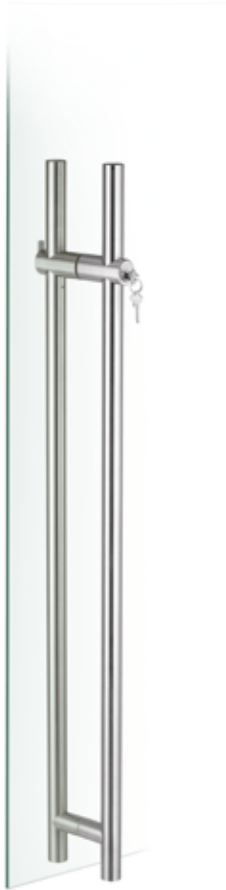
Declare

COMBINED NON LOCKING
page K-Lock_63

ITEM
KLO.0G4.99ZU



LOCKING
HALF SIZE



PAIR

PBA
PATENTED
SYSTEM

PATENT
102019000012465

CYLINDER NOT INCLUDED



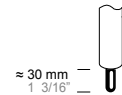
RIM CYLINDER
WITH IC



RIM CYLINDER



ADA COMPLIANT
THUMBTURN



ADJUSTABLE STEEL
DEAD BOLT



DUST-FREE
FLOOR SOCKET

BRAND OF COMPATIBLE RIM CYLINDER:
- ARROW - CORBIN RUSSWIN - MEDECO - SCHLAGE - BEST - KABALCO - SARGENT - YALE

	ITEM	A	B	C	D	E	Ø
PAIR	KLO.002.000U. xx	1000 mm 39 3/8"	1250 mm 49 1/4"	80 mm 3 1/8"	75 mm 2 15/16"	175 mm 6 7/8"	35 mm 1 3/8"
BOTTOM LOCKING	KLO.002.0U48. xx	custom	1219 mm 48"	80 mm 3 1/8"	custom	custom	35 mm 1 3/8"
	KLO.002.0U60. xx	custom	1524 mm 60"	80 mm 3 1/8"	custom	custom	35 mm 1 3/8"
	KLO.002.999U. xx	custom	custom	80 mm 3 1/8"	custom	custom	35 mm 1 3/8"

.XX = FINISH CODE

STAINLESS STEEL

- .43 BRIGHT STAINLESS STEEL (ANSI/BHMA 629 - USD32)
- .44 SATIN STAINLESS STEEL (ANSI/BHMA 630 - USD32D)

STAINLESS STEEL POWDER-COATED ON REQUEST

- .40 BLACK RAL 9005 MAT - TO MATCH WITH PBA BLACK ALUMINUM
- .26 BLACK RAL 9005 GLOSSY
- .31 WHITE RAL 9010
- .32 GREY
- .38 CHAMPAGNE
- .39 BRONZE - TO MATCH WITH PBA BRONZE ALUMINUM
- .36 ARCHITECTURAL BRONZE
- .56 MEDIUM BRONZE
- .41 SILVER
- .55 GOLD

- .99 COLOURS ON REQUEST TO MATCH ANY RAL #
(screws, grub screws and plastic parts non powdercoated)
available on request depending on quantities

EDGE COMPONENT:

BLACK FOR DARK COLOR POWDER
GREY FOR LIGHT COLOR POWDER AND STAINLESS STEEL

DOOR PREPARATION DP2
page K-Lock_235

SPACERS FOR DOUBLE GLAZED DOOR
KLO.KIT.99U2
page K-Lock_231 - page K-Lock_232

THESE PRODUCTS CONTRIBUTE TO LEED® CREDITS

THE MANUFACTURER RESERVES THE RIGHT TO ALTER, IMPROVE AND DISCONTINUE ANY FEATURES OF THE PRODUCT (MAKE CHANGES AND IMPROVEMENTS IN DESIGNS AND DIMENSIONS) WITHOUT NOTICE.

ALL DIMENSIONS IN THE CATALOG DRAWINGS ARE APPROXIMATIONS. REQUEST THE APPROPRIATE TECHNICAL DRAWING BEFORE DOOR PREPARATION AND INSTALLATION.



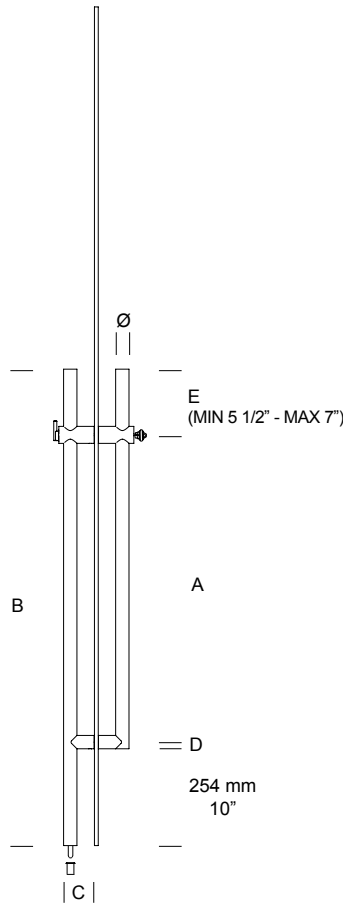
Declare.

COMBINED NON LOCKING
page K-Lock_64

ITEM
KLO.0G2.000U
KLO.0G2.999U
KLO.0G2.0U48
KLO.0G2.0U60



LOCKING
HALF SIZE



PAIR

ADA
10"
clearance
layout

P B A
P A T E N T E D
S Y S T E M

PATENT
102019000012465

CYLINDER NOT INCLUDED



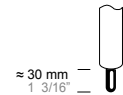
RIM CYLINDER
WITH IC



RIM CYLINDER



ADA COMPLIANT
THUMBTURN



ADJUSTABLE STEEL
DEAD BOLT



DUST-FREE
FLOOR SOCKET

BRAND OF COMPATIBLE RIM CYLINDER:
- ARROW - BEST
- CORBIN RUSSWIN - KABAILCO
- MEDECO - SARGENT
- SCHLAGE - YALE

	ITEM	A	B	C	D	E	Ø
PAIR	KLO.002.00TU..xx	802 mm 31 9/16"	1250 mm 49 1/4"	80 mm 3 1/8"	17,5 mm 11/16"	175 mm 6 7/8"	35 mm 1 3/8"
BOTTOM LOCKING	KLO.002.TU48..xx	custom	1219 mm 48"	80 mm 3 1/8"	17,5 mm 11/16"	custom	35 mm 1 3/8"
	KLO.002.TU60..xx	custom	1524 mm 60"	80 mm 3 1/8"	17,5 mm 11/16"	custom	35 mm 1 3/8"
	KLO.002.99TU..xx	custom	custom	80 mm 3 1/8"	17,5 mm 11/16"	custom	35 mm 1 3/8"

.XX = FINISH CODE

STAINLESS STEEL

- .43 BRIGHT STAINLESS STEEL (ANSI/BHMA 629 - USD32)
- .44 SATIN STAINLESS STEEL (ANSI/BHMA 630 - USD32D)

STAINLESS STEEL POWDER-COATED ON REQUEST

- .40 BLACK RAL 9005 MAT - TO MATCH WITH PBA BLACK ALUMINUM
- .26 BLACK RAL 9005 GLOSSY
- .31 WHITE RAL 9010
- .32 GREY
- .38 CHAMPAGNE
- .39 BRONZE - TO MATCH WITH PBA BRONZE ALUMINUM
- .36 ARCHITECTURAL BRONZE
- .56 MEDIUM BRONZE
- .41 SILVER
- .55 GOLD

- .99 COLOURS ON REQUEST TO MATCH ANY RAL #
(screws, grub screws and plastic parts non powdercoated)
available on request depending on quantities

EDGE COMPONENT:

BLACK FOR DARK COLOR POWDER
GREY FOR LIGHT COLOR POWDER AND STAINLESS STEEL

DOOR PREPARATION DP2
page K-Lock_235

SPACERS FOR DOUBLE GLAZED DOOR
KLO.KIT.99U2
page K-Lock_231 - page K-Lock_232

THESE PRODUCTS CONTRIBUTE TO LEED® CREDITS

THE MANUFACTURER RESERVES THE RIGHT TO ALTER, IMPROVE AND DISCONTINUE ANY FEATURES OF THE PRODUCT (MAKE CHANGES AND IMPROVEMENTS IN DESIGNS AND DIMENSIONS) WITHOUT NOTICE.

ALL DIMENSIONS IN THE CATALOG DRAWINGS ARE APPROXIMATIONS. REQUEST THE APPROPRIATE TECHNICAL DRAWING BEFORE DOOR PREPARATION AND INSTALLATION.

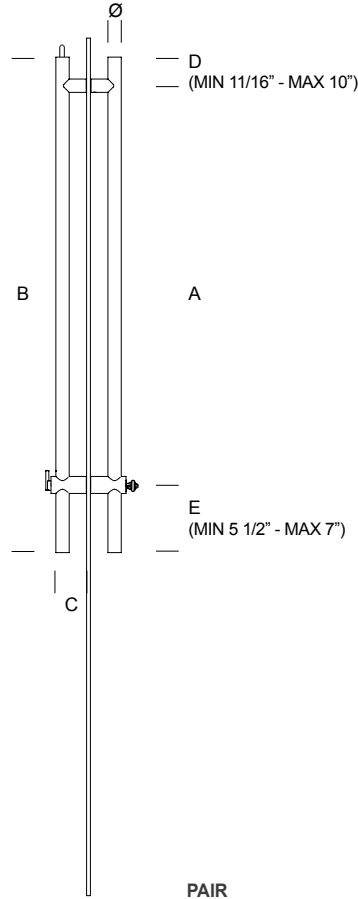


COMBINED NON LOCKING
page K-Lock_65

ITEM
KLO.0G2.00TU
KLO.0G2.99TU
KLO.0G2.TU48
KLO.0G2.TU60



LOCKING
HALF SIZE



ADA
10"
clearance
Layout



PATENT
102019000012465

CYLINDER NOT INCLUDED



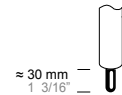
RIM CYLINDER
WITH IC



RIM CYLINDER



ADA COMPLIANT
THUMBTURN



ADJUSTABLE STEEL
DEAD BOLT



DUST-FREE
FLOOR SOCKET

BRAND OF COMPATIBLE RIM CYLINDER:

- ARROW
- CORBIN RUSSWIN
- MEDECO
- SCHLAGE
- BEST
- KABAILCO
- SARGENT
- YALE

PAIR

TOP
LOCKING



ITEM	A	B	C	D	E	Ø
KLO.002.00RU. xx	1050 mm 41 11/32"	1300 mm 51 3/16"	80 mm 3 1/8"	75 mm 2 15/16"	175 mm 6 7/8"	35 mm 1 3/8"
KLO.002.RU48. xx	custom	1219 mm 48"	80 mm 3 1/8"	custom	custom	35 mm 1 3/8"
KLO.002.RU60. xx	custom	1524 mm 60"	80 mm 3 1/8"	custom	custom	35 mm 1 3/8"
KLO.002.RU72. xx	custom	1828 mm 72"	80 mm 3 1/8"	custom	custom	35 mm 1 3/8"
KLO.002.99RU. xx	custom	custom	80 mm 3 1/8"	custom	custom	35 mm 1 3/8"

.XX = FINISH CODE

STAINLESS STEEL

- .43 BRIGHT STAINLESS STEEL (ANSI/BHMA 629 - USD32)
- .44 SATIN STAINLESS STEEL (ANSI/BHMA 630 - USD32D)

STAINLESS STEEL POWDER-COATED ON REQUEST

- .40 BLACK RAL 9005 MAT - TO MATCH WITH PBA BLACK ALUMINUM
- .26 BLACK RAL 9005 GLOSSY
- .31 WHITE RAL 9010
- .32 GREY
- .38 CHAMPAGNE
- .39 BRONZE - TO MATCH WITH PBA BRONZE ALUMINUM
- .36 ARCHITECTURAL BRONZE
- .56 MEDIUM BRONZE
- .41 SILVER
- .55 GOLD

- .99 COLOURS ON REQUEST TO MATCH ANY RAL #
(screws, grub screws and plastic parts non powdercoated)
available on request depending on quantities

EDGE COMPONENT:

BLACK FOR DARK COLOR POWDER
GREY FOR LIGHT COLOR POWDER AND STAINLESS STEEL

DOOR PREPARATION DP3
page K-Lock_236

SPACERS FOR DOUBLE GLAZED DOOR
KLO.KIT.9RU2
page K-Lock_231 - page K-Lock_232

STRIKE DETAILS
page K-Lock_228

THESE PRODUCTS CONTRIBUTE TO **LEED®** CREDITS

THE MANUFACTURER RESERVES THE RIGHT TO ALTER, IMPROVE AND DISCONTINUE ANY FEATURES OF THE PRODUCT (MAKE CHANGES AND IMPROVEMENTS IN DESIGNS AND DIMENSIONS) WITHOUT NOTICE.

ALL DIMENSIONS IN THE CATALOG DRAWINGS ARE APPROXIMATIONS. REQUEST THE APPROPRIATE TECHNICAL DRAWING BEFORE DOOR PREPARATION AND INSTALLATION.

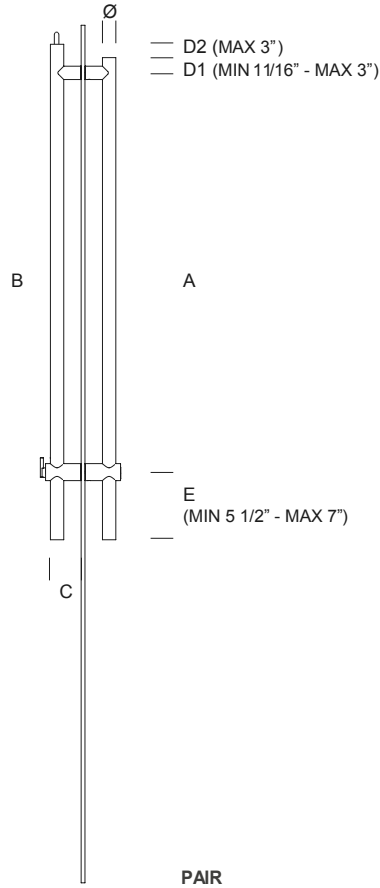


COMBINED NON LOCKING
page K-Lock_66

ITEM
KLO.0G2.00RU
KLO.0G2.99RU
KLO.0G2.RU48
KLO.0G2.RU60
KLO.0G2.RU72



LOCKING
HALF SIZE



ADA
10"
clearance
l a y o u t

P B A
P A T E N T E D
S Y S T E M

PATENT
102019000012465

CYLINDER NOT INCLUDED



RIM CYLINDER
WITH IC



RIM CYLINDER



ADA COMPLIANT
THUMBTURN



ADJUSTABLE STEEL
DEAD BOLT



DUST-FREE
FLOOR SOCKET

BRAND OF COMPATIBLE RIM CYLINDER:

- ARROW
- CORBIN RUSSWIN
- MEDECO
- SCHLAGE
- BEST
- KABAILCO
- SARGENT
- YALE

PAIR	ITEM	A	B	C	D1	D2	E	Ø
TOP LOCKING	KLO.002.9ZU1.xx	custom	custom	80 mm 3 1/8"	custom	custom	custom	35 mm 1 3/8"

.XX = FINISH CODE

STAINLESS STEEL

- .43 BRIGHT STAINLESS STEEL (ANSI/BHMA 629 - USD32)
- .44 SATIN STAINLESS STEEL (ANSI/BHMA 630 - USD32D)

STAINLESS STEEL POWDER-COATED ON REQUEST

- .40 BLACK RAL 9005 MAT - TO MATCH WITH PBA BLACK ALUMINUM
- .26 BLACK RAL 9005 GLOSSY
- .31 WHITE RAL 9010
- .32 GREY
- .38 CHAMPAGNE
- .39 BRONZE - TO MATCH WITH PBA BRONZE ALUMINUM
- .36 ARCHITECTURAL BRONZE
- .56 MEDIUM BRONZE
- .41 SILVER
- .55 GOLD

- .99 COLOURS ON REQUEST TO MATCH ANY RAL #
(screws, grub screws and plastic parts non powdercoated)
available on request depending on quantities

EDGE COMPONENT:

BLACK FOR DARK COLOR POWDER
GREY FOR LIGHT COLOR POWDER AND STAINLESS STEEL

DOOR PREPARATION DP3
page K-Lock_236

SPACERS FOR DOUBLE GLAZED DOOR
KLO.KIT.9RU2
page K-Lock_231 - page K-Lock_232

STRIKE DETAILS
page K-Lock_228

THESE PRODUCTS CONTRIBUTE TO **LEED®** CREDITS

THE MANUFACTURER RESERVES THE RIGHT TO ALTER, IMPROVE AND DISCONTINUE ANY FEATURES OF THE PRODUCT (MAKE CHANGES AND IMPROVEMENTS IN DESIGNS AND DIMENSIONS) WITHOUT NOTICE.

ALL DIMENSIONS IN THE CATALOG DRAWINGS ARE APPROXIMATIONS. REQUEST THE APPROPRIATE TECHNICAL DRAWING BEFORE DOOR PREPARATION AND INSTALLATION.



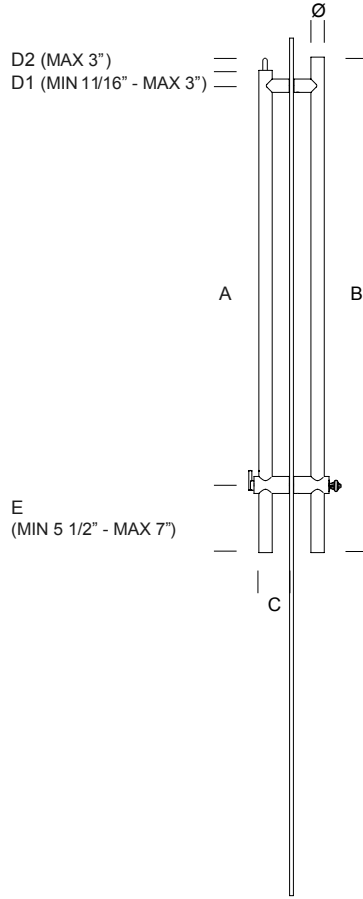
Declare.

COMBINED NON LOCKING
page K-Lock_67

ITEM
KLO.0G2.00ZU



LOCKING
HALF SIZE



ADA
10"
clearance
l a y o u t

P B A
P A T E N T E D
S Y S T E M

PATENT
102019000012465

CYLINDER NOT INCLUDED



BRAND OF COMPATIBLE RIM CYLINDER:

- ARROW
- CORBIN RUSSWIN
- MEDECO
- SCHLAGE
- BEST
- KABAILCO
- SARGENT
- YALE

PAIR	ITEM	A	B	C	D1	D2	E	Ø
TOP LOCKING	KLO.002.9ZU2..xx	custom	custom	80 mm 3 1/8"	custom	custom	custom	35 mm 1 3/8"

.XX = FINISH CODE

- STAINLESS STEEL**
- .43 BRIGHT STAINLESS STEEL (ANSI/BHMA 629 - USD32)
 - .44 SATIN STAINLESS STEEL (ANSI/BHMA 630 - USD32D)
- STAINLESS STEEL POWDER-COATED ON REQUEST**
- .40 BLACK RAL 9005 MAT - TO MATCH WITH PBA BLACK ALUMINUM
 - .26 BLACK RAL 9005 GLOSSY
 - .31 WHITE RAL 9010
 - .32 GREY
 - .38 CHAMPAGNE
 - .39 BRONZE - TO MATCH WITH PBA BRONZE ALUMINUM
 - .36 ARCHITECTURAL BRONZE
 - .56 MEDIUM BRONZE
 - .41 SILVER
 - .55 GOLD

- .99 COLOURS ON REQUEST TO MATCH ANY RAL #
(screws, grub screws and plastic parts non powdercoated)
available on request depending on quantities

EDGE COMPONENT:
BLACK FOR DARK COLOR POWDER
GREY FOR LIGHT COLOR POWDER AND STAINLESS STEEL

DOOR PREPARATION DP3
page K-Lock_236

SPACERS FOR DOUBLE GLAZED DOOR
KLO.KIT.9RU2
page K-Lock_231 - page K-Lock_232

STRIKE DETAILS
page K-Lock_228

THESE PRODUCTS CONTRIBUTE TO **LEED®** CREDITS

THE MANUFACTURER RESERVES THE RIGHT TO ALTER, IMPROVE AND DISCONTINUE ANY FEATURES OF THE PRODUCT (MAKE CHANGES AND IMPROVEMENTS IN DESIGNS AND DIMENSIONS) WITHOUT NOTICE.

ALL DIMENSIONS IN THE CATALOG DRAWINGS ARE APPROXIMATIONS. REQUEST THE APPROPRIATE TECHNICAL DRAWING BEFORE DOOR PREPARATION AND INSTALLATION.



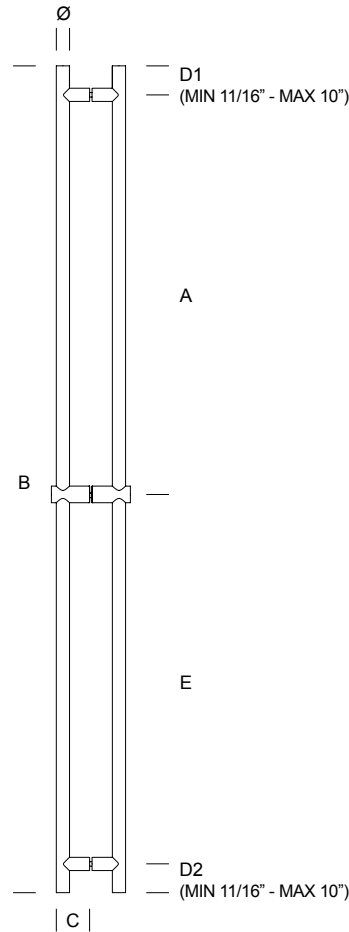
Declare.

COMBINED NON LOCKING
page K-Lock_67

ITEM
KLO.0G2.00ZU



NON LOCKING
FULL SIZE



BACK TO BACK FIXING KIT
ALWAYS INCLUDED
SUITABLE FOR GLASS /
WOOD / METAL DOOR

PAIR

PAIR	ITEM	A	B	C	D1	D2	E	Ø
	KLO.0G4.000U. xx	1050 mm 41 11/32"	2200 mm 86 5/8"	80 mm 3 1/8"	75 mm 2 15/16"	75 mm 2 15/16"	1000 mm 39 3/8"	35 mm 1 3/8"
	KLO.0G4.0U72. xx	custom	1828 mm 72"	80 mm 3 1/8"	custom	custom	custom	35 mm 1 3/8"
	KLO.0G4.0U84. xx	custom	2133 mm 84"	80 mm 3 1/8"	custom	custom	custom	35 mm 1 3/8"
	KLO.0G4.999U. xx	custom	custom	80 mm 3 1/8"	custom	custom	custom	35 mm 1 3/8"

.XX = FINISH CODE

STAINLESS STEEL

- .43 BRIGHT STAINLESS STEEL (ANSI/BHMA 629 - USD32)
- .44 SATIN STAINLESS STEEL (ANSI/BHMA 630 - USD32D)

STAINLESS STEEL POWDER-COATED ON REQUEST

- .40 BLACK RAL 9005 MAT - TO MATCH WITH PBA BLACK ALUMINUM
- .26 BLACK RAL 9005 GLOSSY
- .31 WHITE RAL 9010
- .32 GREY
- .38 CHAMPAGNE
- .39 BRONZE - TO MATCH WITH PBA BRONZE ALUMINUM
- .36 ARCHITECTURAL BRONZE
- .56 MEDIUM BRONZE
- .41 SILVER
- .55 GOLD

- .99 COLOURS ON REQUEST TO MATCH ANY RAL #
(screws, grub screws and plastic parts non powdercoated)
available on request depending on quantities

EDGE COMPONENT:

- BLACK FOR DARK COLOR POWDER
- GREY FOR LIGHT COLOR POWDER AND STAINLESS STEEL

DOOR PREPARATION DP1
page K-Lock_234

SPACERS FOR DOUBLE GLAZED DOOR
KLO.KIT.99U4
page K-Lock_231 - page K-Lock_232

THESE PRODUCTS CONTRIBUTE TO LEED® CREDITS

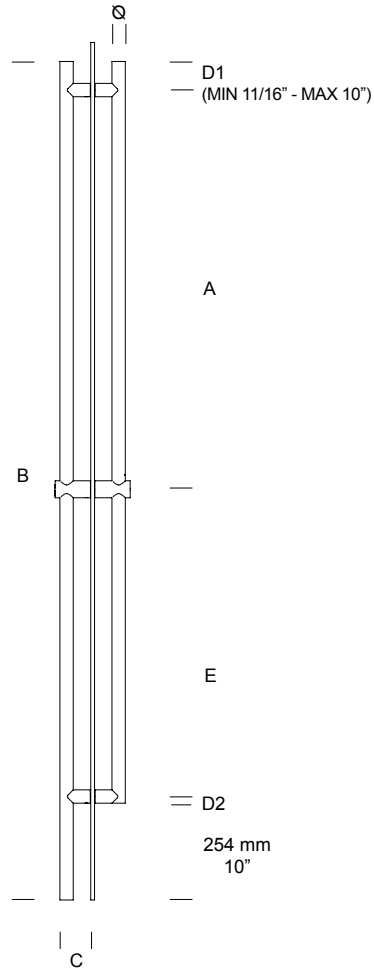
THE MANUFACTURER RESERVES THE RIGHT TO ALTER, IMPROVE AND DISCONTINUE ANY FEATURES OF THE PRODUCT (MAKE CHANGES AND IMPROVEMENTS IN DESIGNS AND DIMENSIONS) WITHOUT NOTICE.

ALL DIMENSIONS IN THE CATALOG DRAWINGS ARE APPROXIMATIONS. REQUEST THE APPROPRIATE TECHNICAL DRAWING BEFORE DOOR PREPARATION AND INSTALLATION.



NON LOCKING TO MATCH PULL ON
page K-Lock_50

NON LOCKING
FULL SIZE



ADA
10"
clearance
layout

BACK TO BACK FIXING KIT
ALWAYS INCLUDED
SUITABLE FOR GLASS /
WOOD / METAL DOOR

PAIR

PAIR	ITEM	A	B	C	D1	D2	E	Ø
	KLO.0G4.00TU. xx	1050 mm 41 11/32"	2200 mm 86 5/8"	80 mm 3 1/8"	75 mm 2 15/16"	17,5 mm 11/16"	802 mm 31 9/16"	35 mm 1 3/8"
	KLO.0G4.TU72. xx	custom	1828 mm 72"	80 mm 3 1/8"	custom	17,5 mm 11/16"	custom	35 mm 1 3/8"
	KLO.0G4.TU84. xx	custom	2133 mm 84"	80 mm 3 1/8"	custom	17,5 mm 11/16"	custom	35 mm 1 3/8"
	KLO.0G4.99TU. xx	custom	custom	80 mm 3 1/8"	custom	17,5 mm 11/16"	custom	35 mm 1 3/8"

.XX = FINISH CODE

STAINLESS STEEL

- .43 BRIGHT STAINLESS STEEL (ANSI/BHMA 629 - USD32)
- .44 SATIN STAINLESS STEEL (ANSI/BHMA 630 - USD32D)

STAINLESS STEEL POWDER-COATED ON REQUEST

- .40 BLACK RAL 9005 MAT - TO MATCH WITH PBA BLACK ALUMINUM
- .26 BLACK RAL 9005 GLOSSY
- .31 WHITE RAL 9010
- .32 GREY
- .38 CHAMPAGNE
- .39 BRONZE - TO MATCH WITH PBA BRONZE ALUMINUM
- .36 ARCHITECTURAL BRONZE
- .56 MEDIUM BRONZE
- .41 SILVER
- .55 GOLD

- .99 COLOURS ON REQUEST TO MATCH ANY RAL #
(screws, grub screws and plastic parts non powdercoated)
available on request depending on quantities

EDGE COMPONENT:

- BLACK FOR DARK COLOR POWDER
- GREY FOR LIGHT COLOR POWDER AND STAINLESS STEEL

DOOR PREPARATION DP1
page K-Lock_234

SPACERS FOR DOUBLE GLAZED DOOR
KLO.KIT.99U4
page K-Lock_231 - page K-Lock_232

THESE PRODUCTS CONTRIBUTE TO LEED® CREDITS

THE MANUFACTURER RESERVES THE RIGHT TO ALTER, IMPROVE AND DISCONTINUE ANY FEATURES OF THE PRODUCT (MAKE CHANGES AND IMPROVEMENTS IN DESIGNS AND DIMENSIONS) WITHOUT NOTICE.

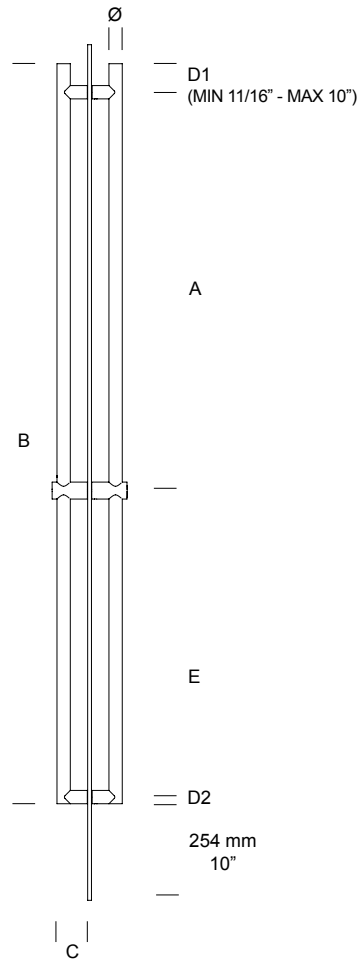
ALL DIMENSIONS IN THE CATALOG DRAWINGS ARE APPROXIMATIONS. REQUEST THE APPROPRIATE TECHNICAL DRAWING BEFORE DOOR PREPARATION AND INSTALLATION.



Declare

NON LOCKING TO MATCH PULL ON
page K-Lock_51

NON LOCKING
FULL SIZE



ADA
10"
clearance
L a y o u t

BACK TO BACK FIXING KIT
ALWAYS INCLUDED
SUITABLE FOR GLASS /
WOOD / METAL DOOR

PAIR

PAIR	ITEM	A	B	C	D1	D2	E	Ø
	KLO.0G4.00RU. xx	1050 mm 41 11/32"	1945 mm 76 9/16"	80 mm 3 1/8"	75 mm 2 15/16"	17,5 mm 11/16"	802 mm 31 9/16"	35 mm 1 3/8"
	KLO.0G4.RU72. xx	custom	1828 mm 72"	80 mm 3 1/8"	custom	17,5 mm 11/16"	custom	35 mm 1 3/8"
	KLO.0G4.99RU. xx	custom	custom	80 mm 3 1/8"	custom	17,5 mm 11/16"	custom	35 mm 1 3/8"

.XX = FINISH CODE

STAINLESS STEEL

- .43 BRIGHT STAINLESS STEEL (ANSI/BHMA 629 - USD32)
- .44 SATIN STAINLESS STEEL (ANSI/BHMA 630 - USD32D)

STAINLESS STEEL POWDER-COATED ON REQUEST

- .40 BLACK RAL 9005 MAT - TO MATCH WITH PBA BLACK ALUMINUM
- .26 BLACK RAL 9005 GLOSSY
- .31 WHITE RAL 9010
- .32 GREY
- .38 CHAMPAGNE
- .39 BRONZE - TO MATCH WITH PBA BRONZE ALUMINUM
- .36 ARCHITECTURAL BRONZE
- .56 MEDIUM BRONZE
- .41 SILVER
- .55 GOLD

- .99 COLOURS ON REQUEST TO MATCH ANY RAL #
(screws, grub screws and plastic parts non powdercoated)
available on request depending on quantities

EDGE COMPONENT:

- BLACK FOR DARK COLOR POWDER
- GREY FOR LIGHT COLOR POWDER AND STAINLESS STEEL

DOOR PREPARATION DP1
page K-Lock_234

SPACERS FOR DOUBLE GLAZED DOOR
KLO.KIT.99U4
page K-Lock_231 - page K-Lock_232

THESE PRODUCTS CONTRIBUTE TO LEED® CREDITS

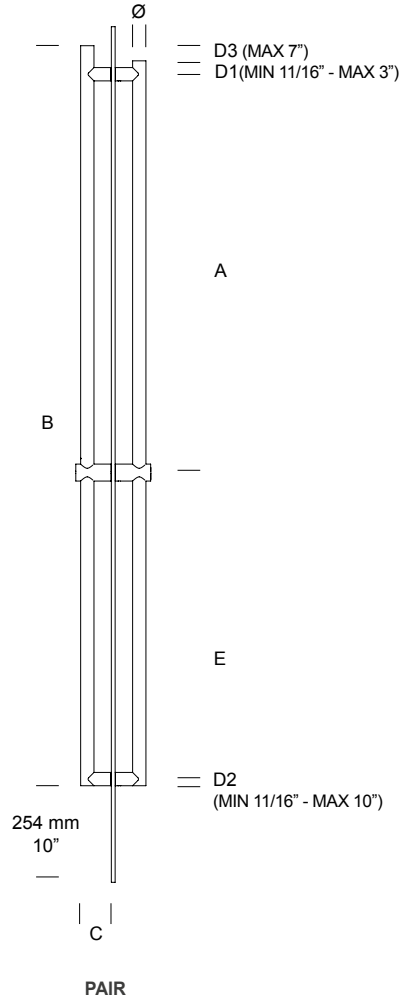
THE MANUFACTURER RESERVES THE RIGHT TO ALTER, IMPROVE AND DISCONTINUE ANY FEATURES OF THE PRODUCT (MAKE CHANGES AND IMPROVEMENTS IN DESIGNS AND DIMENSIONS) WITHOUT NOTICE.

ALL DIMENSIONS IN THE CATALOG DRAWINGS ARE APPROXIMATIONS. REQUEST THE APPROPRIATE TECHNICAL DRAWING BEFORE DOOR PREPARATION AND INSTALLATION.



NON LOCKING TO MATCH PULL ON
page K-Lock_52

NON LOCKING
FULL SIZE



ADA
10"
clearance
Layout

BACK TO BACK FIXING KIT
ALWAYS INCLUDED
SUITABLE FOR GLASS /
WOOD / METAL DOOR

PAIR	ITEM	A	B	C	D1	D2	D3	E	Ø
	KLO.0G4.99ZU. xx	custom	custom	80 mm 3 1/8"	custom	custom	custom	custom	35 mm 1 3/8"

.XX = FINISH CODE

STAINLESS STEEL

- .43 BRIGHT STAINLESS STEEL (ANSI/BHMA 629 - USD32)
- .44 SATIN STAINLESS STEEL (ANSI/BHMA 630 - USD32D)

STAINLESS STEEL POWDER-COATED ON REQUEST

- .40 BLACK RAL 9005 MAT - TO MATCH WITH PBA BLACK ALUMINUM
- .26 BLACK RAL 9005 GLOSSY
- .31 WHITE RAL 9010
- .32 GREY
- .38 CHAMPAGNE
- .39 BRONZE - TO MATCH WITH PBA BRONZE ALUMINUM
- .36 ARCHITECTURAL BRONZE
- .56 MEDIUM BRONZE
- .41 SILVER
- .55 GOLD

- .99 COLOURS ON REQUEST TO MATCH ANY RAL #
(screws, grub screws and plastic parts non powdercoated)
available on request depending on quantities

EDGE COMPONENT:

BLACK FOR DARK COLOR POWDER
GREY FOR LIGHT COLOR POWDER AND STAINLESS STEEL

DOOR PREPARATION DP1
page K-Lock_234

SPACERS FOR DOUBLE GLAZED DOOR
KLO.KIT.99U4
page K-Lock_231 - page K-Lock_232

THESE PRODUCTS CONTRIBUTE TO LEED® CREDITS

THE MANUFACTURER RESERVES THE RIGHT TO ALTER, IMPROVE AND DISCONTINUE ANY FEATURES OF THE PRODUCT (MAKE CHANGES AND IMPROVEMENTS IN DESIGNS AND DIMENSIONS) WITHOUT NOTICE.

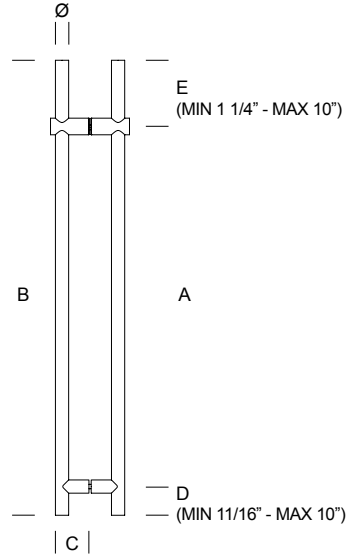
ALL DIMENSIONS IN THE CATALOG DRAWINGS ARE APPROXIMATIONS. REQUEST THE APPROPRIATE TECHNICAL DRAWING BEFORE DOOR PREPARATION AND INSTALLATION.



Declare

NON LOCKING TO MATCH PULL ON
page K-Lock_53-54

NON LOCKING
HALF SIZE



BACK TO BACK FIXING KIT
ALWAYS INCLUDED
SUITABLE FOR GLASS /
WOOD / METAL DOOR

PAIR

PAIR	ITEM	A	B	C	D	E	Ø
	KLO.0G2.000U . xx	1000 mm 39 3/8"	1250 mm 49 1/4"	80 mm 3 1/8"	75 mm 2 15/16"	175 mm 6 7/8"	35 mm 1 3/8"
	KLO.0G2.0U48 . xx	custom	1219 mm 48"	80 mm 3 1/8"	custom	custom	35 mm 1 3/8"
	KLO.0G2.0U60 . xx	custom	1524 mm 60"	80 mm 3 1/8"	custom	custom	35 mm 1 3/8"
	KLO.0G2.999U . xx	custom	custom	80 mm 3 1/8"	custom	custom	35 mm 1 3/8"

.XX = FINISH CODE

STAINLESS STEEL

- .43 BRIGHT STAINLESS STEEL (ANSI/BHMA 629 - USD32)
- .44 SATIN STAINLESS STEEL (ANSI/BHMA 630 - USD32D)

STAINLESS STEEL POWDER-COATED ON REQUEST

- .40 BLACK RAL 9005 MAT - TO MATCH WITH PBA BLACK ALUMINUM
- .26 BLACK RAL 9005 GLOSSY
- .31 WHITE RAL 9010
- .32 GREY
- .38 CHAMPAGNE
- .39 BRONZE - TO MATCH WITH PBA BRONZE ALUMINUM
- .36 ARCHITECTURAL BRONZE
- .56 MEDIUM BRONZE
- .41 SILVER
- .55 GOLD

- .99 COLOURS ON REQUEST TO MATCH ANY RAL #
(screws, grub screws and plastic parts non powdercoated)
available on request depending on quantities

EDGE COMPONENT:

- BLACK FOR DARK COLOR POWDER
- GREY FOR LIGHT COLOR POWDER AND STAINLESS STEEL

DOOR PREPARATION DP2
page K-Lock_235

SPACERS FOR DOUBLE GLAZED DOOR
KLO.KIT.99U2
page K-Lock_231 - page K-Lock_232

THESE PRODUCTS CONTRIBUTE TO **LEED®** CREDITS

THE MANUFACTURER RESERVES THE RIGHT TO ALTER, IMPROVE AND DISCONTINUE ANY FEATURES OF THE PRODUCT (MAKE CHANGES AND IMPROVEMENTS IN DESIGNS AND DIMENSIONS) WITHOUT NOTICE.

ALL DIMENSIONS IN THE CATALOG DRAWINGS ARE APPROXIMATIONS. REQUEST THE APPROPRIATE TECHNICAL DRAWING BEFORE DOOR PREPARATION AND INSTALLATION.



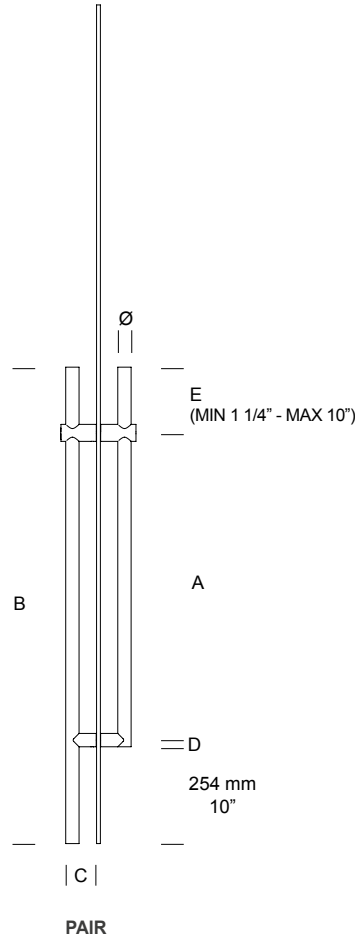
NON LOCKING TO MATCH PULL ON
page K-Lock_55

NON LOCKING
HALF SIZE



ADA
10"
clearance
l a y o u t

BACK TO BACK FIXING KIT
ALWAYS INCLUDED
SUITABLE FOR GLASS /
WOOD / METAL DOOR



PAIR	ITEM	A	B	C	D	E	Ø
	KLO.0G2.00TU. xx	802 mm 31 9/16"	1250 mm 49 1/4"	80 mm 3 1/8"	17,5 mm 11/16"	175 mm 6 7/8"	35 mm 1 3/8"
	KLO.0G2.TU48. xx	custom	1219 mm 48"	80 mm 3 1/8"	17,5 mm 11/16"	custom	35 mm 1 3/8"
	KLO.0G2.TU60. xx	custom	1524 mm 60"	80 mm 3 1/8"	17,5 mm 11/16"	custom	35 mm 1 3/8"
	KLO.0G2.99TU. xx	custom	custom	80 mm 3 1/8"	17,5 mm 11/16"	custom	35 mm 1 3/8"

.XX = FINISH CODE

STAINLESS STEEL

- .43 BRIGHT STAINLESS STEEL (ANSI/BHMA 629 - USD32)
- .44 SATIN STAINLESS STEEL (ANSI/BHMA 630 - USD32D)

STAINLESS STEEL POWDER-COATED ON REQUEST

- .40 BLACK RAL 9005 MAT - TO MATCH WITH PBA BLACK ALUMINUM
- .26 BLACK RAL 9005 GLOSSY
- .31 WHITE RAL 9010
- .32 GREY
- .38 CHAMPAGNE
- .39 BRONZE - TO MATCH WITH PBA BRONZE ALUMINUM
- .36 ARCHITECTURAL BRONZE
- .56 MEDIUM BRONZE
- .41 SILVER
- .55 GOLD

- .99 COLOURS ON REQUEST TO MATCH ANY RAL #
(screws, grub screws and plastic parts non powdercoated)
available on request depending on quantities

EDGE COMPONENT:

- BLACK FOR DARK COLOR POWDER
- GREY FOR LIGHT COLOR POWDER AND STAINLESS STEEL

DOOR PREPARATION DP2
page K-Lock_235

SPACERS FOR DOUBLE GLAZED DOOR
KLO.KIT.99U2
page K-Lock_231 - page K-Lock_232

THESE PRODUCTS CONTRIBUTE TO **LEED®** CREDITS

THE MANUFACTURER RESERVES THE RIGHT TO ALTER, IMPROVE AND DISCONTINUE ANY FEATURES OF THE PRODUCT (MAKE CHANGES AND IMPROVEMENTS IN DESIGNS AND DIMENSIONS) WITHOUT NOTICE.

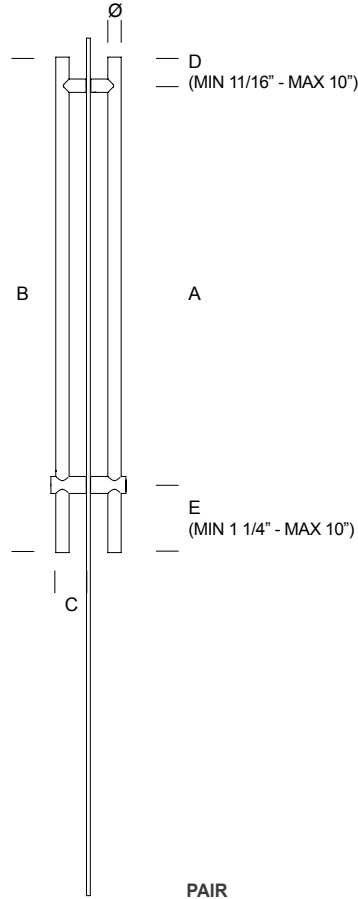
ALL DIMENSIONS IN THE CATALOG DRAWINGS ARE APPROXIMATIONS. REQUEST THE APPROPRIATE TECHNICAL DRAWING BEFORE DOOR PREPARATION AND INSTALLATION.



Declare.

NON LOCKING TO MATCH PULL ON
page K-Lock_56

NON LOCKING
HALF SIZE



ADA
10"
clearance
Layout

BACK TO BACK FIXING KIT
ALWAYS INCLUDED
SUITABLE FOR GLASS /
WOOD / METAL DOOR

PAIR	ITEM	A	B	C	D	E	Ø
	KLO.0G2.00RU. xx	1050 mm 41 11/32"	1300 mm 51 3/16"	80 mm 3 1/8"	75 mm 2 15/16"	175 mm 6 7/8"	35 mm 1 3/8"
	KLO.0G2.RU48. xx	custom	1219 mm 48"	80 mm 3 1/8"	custom	custom	35 mm 1 3/8"
	KLO.0G2.RU60. xx	custom	1524 mm 60"	80 mm 3 1/8"	custom	custom	35 mm 1 3/8"
	KLO.0G2.RU72. xx	custom	1828 mm 72"	80 mm 3 1/8"	custom	custom	35 mm 1 3/8"
	KLO.0G2.99RU. xx	custom	custom	80 mm 3 1/8"	custom	custom	35 mm 1 3/8"

.XX = FINISH CODE

STAINLESS STEEL

- .43 BRIGHT STAINLESS STEEL (ANSI/BHMA 629 - USD32)
- .44 SATIN STAINLESS STEEL (ANSI/BHMA 630 - USD32D)

STAINLESS STEEL POWDER-COATED ON REQUEST

- .40 BLACK RAL 9005 MAT - TO MATCH WITH PBA BLACK ALUMINUM
- .26 BLACK RAL 9005 GLOSSY
- .31 WHITE RAL 9010
- .32 GREY
- .38 CHAMPAGNE
- .39 BRONZE - TO MATCH WITH PBA BRONZE ALUMINUM
- .36 ARCHITECTURAL BRONZE
- .56 MEDIUM BRONZE
- .41 SILVER
- .55 GOLD

- .99 COLOURS ON REQUEST TO MATCH ANY RAL #
(screws, grub screws and plastic parts non powdercoated)
available on request depending on quantities

EDGE COMPONENT:

- BLACK FOR DARK COLOR POWDER
- GREY FOR LIGHT COLOR POWDER AND STAINLESS STEEL

DOOR PREPARATION DP3

page K-Lock_236

SPACERS FOR DOUBLE GLAZED DOOR

KLO.KIT.9RU2
page K-Lock_231- page K-Lock_232

THESE PRODUCTS CONTRIBUTE TO **LEED**® CREDITS

THE MANUFACTURER RESERVES THE RIGHT TO ALTER, IMPROVE AND DISCONTINUE ANY FEATURES OF THE PRODUCT (MAKE CHANGES AND IMPROVEMENTS IN DESIGNS AND DIMENSIONS) WITHOUT NOTICE.

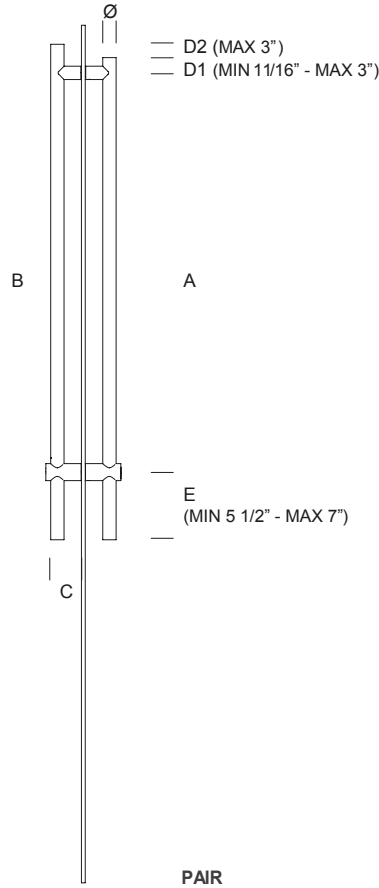
ALL DIMENSIONS IN THE CATALOG DRAWINGS ARE APPROXIMATIONS. REQUEST THE APPROPRIATE TECHNICAL DRAWING BEFORE DOOR PREPARATION AND INSTALLATION.



Declare.

NON LOCKING TO MATCH PULL ON
page K-Lock_57

NON LOCKING
HALF SIZE



ADA
10"
clearance
l a y o u t

BACK TO BACK FIXING KIT
ALWAYS INCLUDED
SUITABLE FOR GLASS /
WOOD / METAL DOOR

PAIR	ITEM	A	B	C	D	E	Ø
	KLO.0G2.99ZU. xx	custom	custom	80 mm 3 1/8"	custom	custom	35 mm 1 3/8"

.XX = FINISH CODE

STAINLESS STEEL

- .43 BRIGHT STAINLESS STEEL (ANSI/BHMA 629 - USD32)
- .44 SATIN STAINLESS STEEL (ANSI/BHMA 630 - USD32D)

STAINLESS STEEL POWDER-COATED ON REQUEST

- .40 BLACK RAL 9005 MAT - TO MATCH WITH PBA BLACK ALUMINUM
- .26 BLACK RAL 9005 GLOSSY
- .31 WHITE RAL 9010
- .32 GREY
- .38 CHAMPAGNE
- .39 BRONZE - TO MATCH WITH PBA BRONZE ALUMINUM
- .36 ARCHITECTURAL BRONZE
- .56 MEDIUM BRONZE
- .41 SILVER
- .55 GOLD

- .99 COLOURS ON REQUEST TO MATCH ANY RAL #
(screws, grub screws and plastic parts non powdercoated)
available on request depending on quantities

EDGE COMPONENT:

BLACK FOR DARK COLOR POWDER
GREY FOR LIGHT COLOR POWDER AND STAINLESS STEEL

DOOR PREPARATION DP3
page K-Lock_236

SPACERS FOR DOUBLE GLAZED DOOR
KLO.KIT.9RU2
page K-Lock_231- page K-Lock_232

THESE PRODUCTS CONTRIBUTE TO **LEED®** CREDITS

THE MANUFACTURER RESERVES THE RIGHT TO ALTER, IMPROVE AND DISCONTINUE ANY FEATURES OF THE PRODUCT (MAKE CHANGES AND IMPROVEMENTS IN DESIGNS AND DIMENSIONS) WITHOUT NOTICE.

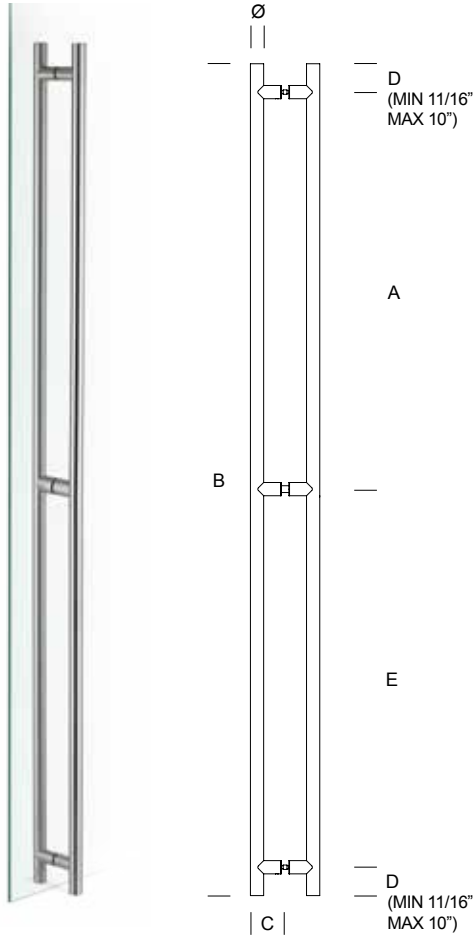
ALL DIMENSIONS IN THE CATALOG DRAWINGS ARE APPROXIMATIONS. REQUEST THE APPROPRIATE TECHNICAL DRAWING BEFORE DOOR PREPARATION AND INSTALLATION.



Declare.

NON LOCKING TO MATCH PULL ON
page K-Lock_58

UNIVERSAL
NON LOCKING
FULL SIZE



PAIR

ITEM	A	B	C	D	E	Ø
KLO.0G4.0000 .xx	1050 mm 41 11/32"	2200 mm 86 5/8"	80 mm 3 1/8"	75 mm 2 15/16"	1000 mm 39 3/8"	35 mm 1 3/8"
KLO.0G4.0072 .xx	custom	1828 mm 72"	80 mm 3 1/8"	custom	custom	35 mm 1 3/8"
KLO.0G4.0084 .xx	custom	2133 mm 84"	80 mm 3 1/8"	custom	custom	35 mm 1 3/8"
KLO.0G4.9999 .xx	custom	custom	80 mm 3 1/8"	custom	custom	35 mm 1 3/8"

.XX = FINISH CODE

STAINLESS STEEL

- .43 BRIGHT STAINLESS STEEL (ANSI/BHMA 629 - USD32)
- .44 SATIN STAINLESS STEEL (ANSI/BHMA 630 - USD32D)

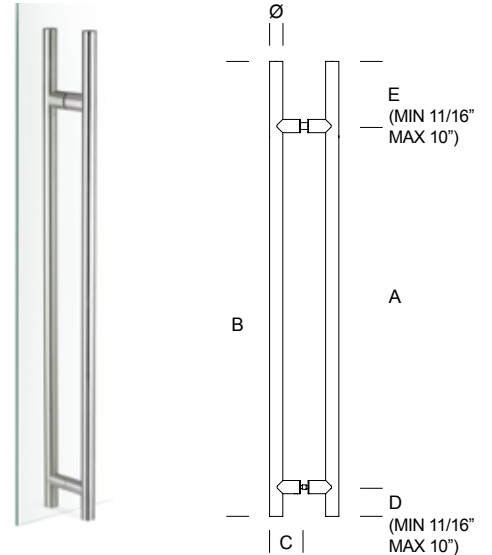
STAINLESS STEEL POWDER-COATED ON REQUEST

- .40 BLACK RAL 9005 MAT - TO MATCH WITH PBA BLACK ALUMINUM
- .26 BLACK RAL 9005 GLOSSY
- .31 WHITE RAL 9010
- .32 GREY
- .38 CHAMPAGNE
- .39 BRONZE - TO MATCH WITH PBA BRONZE ALUMINUM
- .36 ARCHITECTURAL BRONZE
- .56 MEDIUM BRONZE
- .41 SILVER
- .55 GOLD

- .99 COLOURS ON REQUEST TO MATCH ANY RAL # (screws, grub screws and plastic parts non powdercoated) available on request depending on quantities

EDGE COMPONENT:
BLACK FOR DARK COLOR POWDER
GREY FOR LIGHT COLOR POWDER AND
STAINLESS STEEL

UNIVERSAL
NON LOCKING
HALF SIZE



PAIR

ITEM	A	B	C	D	E	Ø
KLO.0G2.0000 .xx	1000 mm 39 3/8"	1250 mm 49 1/4"	80 mm 3 1/8"	75 mm 2 15/16"	175 mm 6 7/8"	35 mm 1 3/8"
KLO.0G2.0048 .xx	custom	1219 mm 48"	80 mm 3 1/8"	custom	custom	35 mm 1 3/8"
KLO.0G2.0060 .xx	custom	1524 mm 60"	80 mm 3 1/8"	custom	custom	35 mm 1 3/8"
KLO.0G2.9999 .xx	custom	custom	80 mm 3 1/8"	custom	custom	35 mm 1 3/8"

DOOR PREPARATION:

- DP4 (UNIVERSAL NO LOCKING FULL SIZE)
- DP5 (UNIVERSAL NO LOCKING HALF SIZE)

page K-Lock_237 - page K-Lock_238

SPACERS FOR DOUBLE GLAZED DOOR

- 2CC.KIT.0010 (UNIVERSAL NO LOCKING FULL SIZE)
- 2CC.KIT.0009 (UNIVERSAL NO LOCKING HALF SIZE)

page K-Lock_231 - page K-Lock_232

BACK TO BACK FIXING KIT ALWAYS INCLUDED

SUITABLE FOR GLASS / WOOD / METAL DOOR

THESE PRODUCTS CONTRIBUTE TO LEED® CREDITS

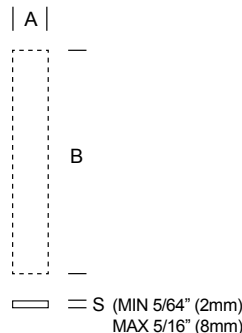
THE MANUFACTURER RESERVES THE RIGHT TO ALTER, IMPROVE AND DISCONTINUE ANY FEATURES OF THE PRODUCT (MAKE CHANGES AND IMPROVEMENTS IN DESIGNS AND DIMENSIONS) WITHOUT NOTICE.

ALL DIMENSIONS IN THE CATALOG DRAWINGS ARE APPROXIMATIONS. REQUEST THE APPROPRIATE TECHNICAL DRAWING BEFORE DOOR PREPARATION AND INSTALLATION.



STAINLESS STEEL PLATE / PLAQUE ON REQUEST - PLACCA / PIASTRA A MISURA IN ACCIAIO INOX

ITEM	A	B	S
2MM.PLA.9999 .xx	custom	custom	custom



AVAILABLE WITH HOLES FOR FIXING WITH SCREWS OR WITHOUT HOLES FOR GLUING. FIXINGS NOT INCLUDED

DISPONIBILE CON FORI PER FISSAGGIO CON VITI O SENZA FORI PER INCOLLAGGIO. FISSAGGI NON INCLUSI.

.XX = FINISH CODE

STAINLESS STEEL

- .43 BRIGHT STAINLESS STEEL (ANSI/BHMA 629 - USD32)
- .44 SATIN STAINLESS STEEL (ANSI/BHMA 630 - USD32D)

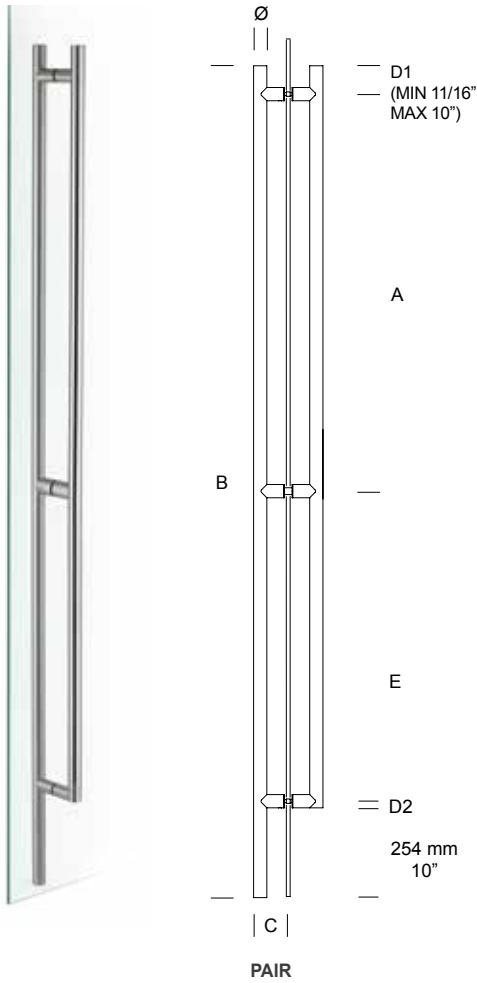
STAINLESS STEEL POWDER-COATED ON REQUEST

- .40 BLACK RAL 9005 MAT - TO MATCH WITH PBA BLACK ALUMINUM
- .26 BLACK RAL 9005 GLOSSY
- .31 WHITE RAL 9010
- .32 GREY
- .38 CHAMPAGNE
- .39 BRONZE - TO MATCH WITH PBA BRONZE ALUMINUM
- .36 ARCHITECTURAL BRONZE
- .56 MEDIUM BRONZE
- .41 SILVER
- .55 GOLD

- .99 COLOURS ON REQUEST TO MATCH ANY RAL # (screws, grub screws and plastic parts non powdercoated) available on request depending on quantities

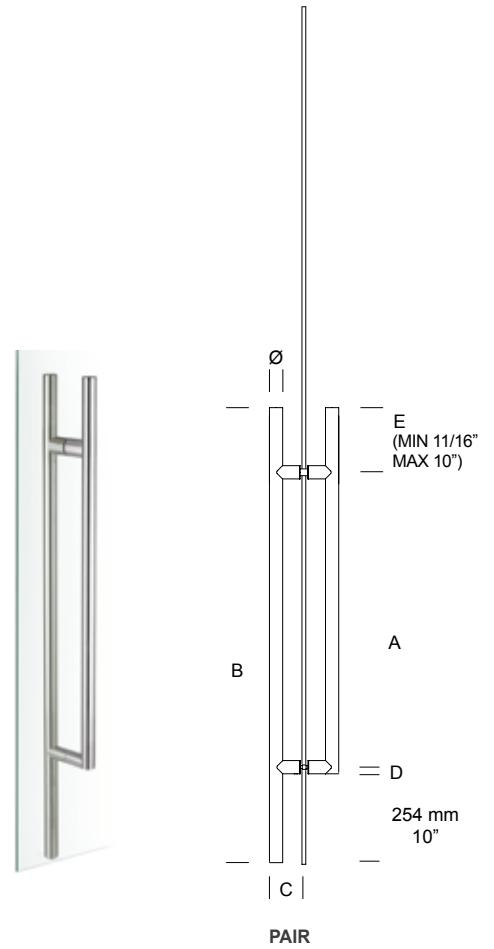
UNIVERSAL
NON LOCKING
FULL SIZE

ADA
10"
clearance
Layout



UNIVERSAL
NON LOCKING
HALF SIZE

ADA
10"
clearance
Layout



ITEM	A	B	C	D1-D2	E	Ø
KLO.0G4.999T.xx PAIR	custom	custom	80 mm 3 1/8"	custom	custom	35 mm 1 3/8"

ITEM	A	B	C	D	E	Ø
KLO.0G2.999T PAIR	custom	custom	80 mm 3 1/8"	17,5 mm 11/16"	custom	35 mm 1 3/8"

.XX = FINISH CODE

STAINLESS STEEL

- .43 BRIGHT STAINLESS STEEL (ANSI/BHMA 629 - USD32)
- .44 SATIN STAINLESS STEEL (ANSI/BHMA 630 - USD32D)

STAINLESS STEEL POWDER-COATED ON REQUEST

- .40 BLACK RAL 9005 MAT - TO MATCH WITH PBA BLACK ALUMINUM
- .26 BLACK RAL 9005 GLOSSY
- .31 WHITE RAL 9010
- .32 GREY
- .38 CHAMPAGNE
- .39 BRONZE - TO MATCH WITH PBA BRONZE ALUMINUM
- .36 ARCHITECTURAL BRONZE
- .56 MEDIUM BRONZE
- .41 SILVER
- .55 GOLD

- .99 COLOURS ON REQUEST TO MATCH ANY RAL #
(screws, grub screws and plastic parts non powdercoated)
available on request depending on quantities

EDGE COMPONENT:

BLACK FOR DARK COLOR POWDER
GREY FOR LIGHT COLOR POWDER AND STAINLESS STEEL

DOOR PREPARATION:

- DP4 (UNIVERSAL NO LOCKING FULL SIZE)
- DP5 (UNIVERSAL NO LOCKING HALF SIZE)
- page K-Lock_237 - page K-Lock_238

SPACERS FOR DOUBLE GLAZED DOOR

- 2CC.KIT.0010 (UNIVERSAL NO LOCKING FULL SIZE)
- 2CC.KIT.0009 (UNIVERSAL NO LOCKING HALF SIZE)
- page K-Lock_231 - page K-Lock_232

BACK TO BACK FIXING KIT ALWAYS INCLUDED
SUITABLE FOR GLASS / WOOD / METAL DOOR

THESE PRODUCTS CONTRIBUTE TO LEED® CREDITS

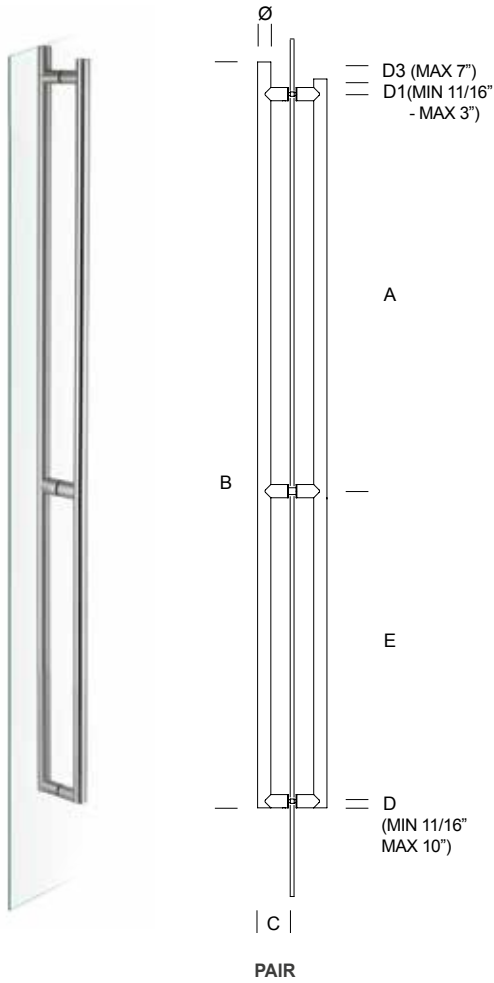
THE MANUFACTURER RESERVES THE RIGHT TO ALTER, IMPROVE AND DISCONTINUE ANY FEATURES OF THE PRODUCT (MAKE CHANGES AND IMPROVEMENTS IN DESIGNS AND DIMENSIONS) WITHOUT NOTICE.

ALL DIMENSIONS IN THE CATALOG DRAWINGS ARE APPROXIMATIONS. REQUEST THE APPROPRIATE TECHNICAL DRAWING BEFORE DOOR PREPARATION AND INSTALLATION.



UNIVERSAL
NON LOCKING
FULL SIZE

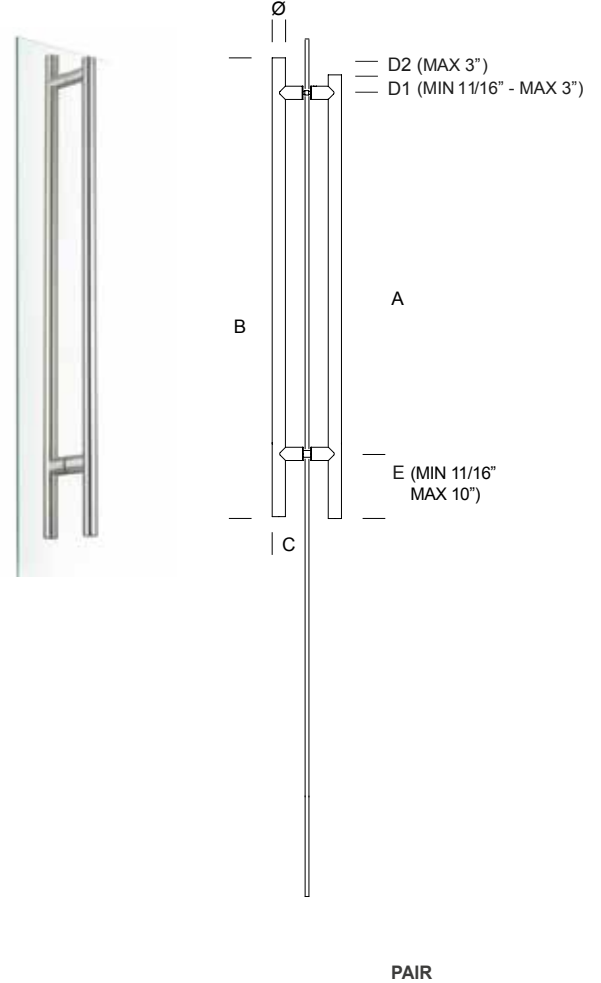
ADA
10"
clearance
Layout



ITEM	A	B	C	D-D2-D3	E	Ø
KLO.0G4.999Z. xx	custom	custom	80 mm 3 1/8"	custom	custom	35 mm 1 3/8"
PAIR						

UNIVERSAL
NON LOCKING
HALF SIZE

ADA
10"
clearance
Layout



ITEM	A	B	C	D	E	Ø
KLO.0G2.999Z. xx	custom	custom	80 mm 3 1/8"	custom	custom	35 mm 1 3/8"
PAIR						

XX = FINISH CODE

- STAINLESS STEEL**
- .43 BRIGHT STAINLESS STEEL (ANSI/BHMA 629 - USD32)
 - .44 SATIN STAINLESS STEEL (ANSI/BHMA 630 - USD32D)
- STAINLESS STEEL POWDER-COATED ON REQUEST**
- .40 BLACK RAL 9005 MAT - TO MATCH WITH PBA BLACK ALUMINUM
 - .26 BLACK RAL 9005 GLOSSY
 - .31 WHITE RAL 9010
 - .32 GREY
 - .38 CHAMPAGNE
 - .39 BRONZE - TO MATCH WITH PBA BRONZE ALUMINUM
 - .36 ARCHITECTURAL BRONZE
 - .56 MEDIUM BRONZE
 - .41 SILVER
 - .55 GOLD

- .99 COLOURS ON REQUEST TO MATCH ANY RAL #
(screws, grub screws and plastic parts non powdercoated)
available on request depending on quantities

EDGE COMPONENT:
BLACK FOR DARK COLOR POWDER
GREY FOR LIGHT COLOR POWDER AND STAINLESS STEEL

DOOR PREPARATION:
DP4 (UNIVERSAL NO LOCKING FULL SIZE)
DP5 (UNIVERSAL NO LOCKING HALF SIZE)
page K-Lock_237 - page K-Lock_238

SPACERS FOR DOUBLE GLAZED DOOR
2CC.KIT.0010 (UNIVERSAL NO LOCKING FULL SIZE)
2CC.KIT.0009 (UNIVERSAL NO LOCKING HALF SIZE)
page K-Lock_231 - page K-Lock_232

BACK TO BACK FIXING KIT ALWAYS INCLUDED
SUITABLE FOR GLASS / WOOD / METAL DOOR

THESE PRODUCTS CONTRIBUTE TO LEED® CREDITS

THE MANUFACTURER RESERVES THE RIGHT TO ALTER, IMPROVE AND DISCONTINUE ANY FEATURES OF THE PRODUCT (MAKE CHANGES AND IMPROVEMENTS IN DESIGNS AND DIMENSIONS) WITHOUT NOTICE.

ALL DIMENSIONS IN THE CATALOG DRAWINGS ARE APPROXIMATIONS. REQUEST THE APPROPRIATE TECHNICAL DRAWING BEFORE DOOR PREPARATION AND INSTALLATION.



PROGRAMMA K-LOCK KLO
KEY SIDE BOLT

P B A
PATENTED
SYSTEM



SUPPORTO
POST

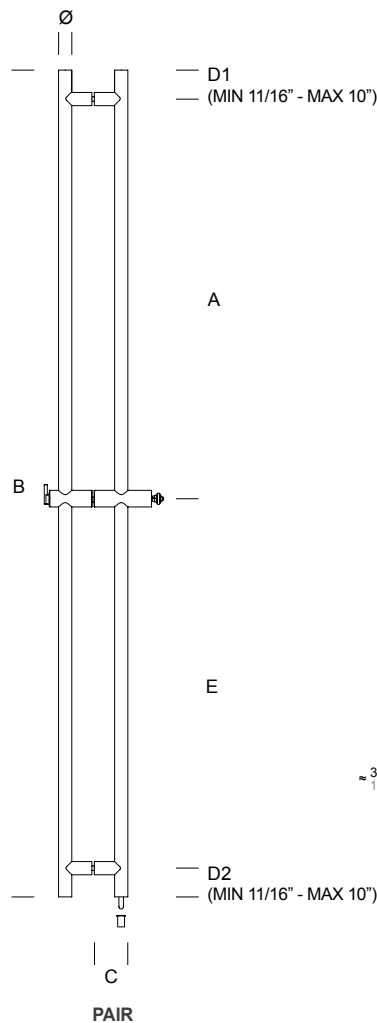


Ⓢ CILINDRO PROFILO AMERICANO RIM CON IC
AMERICAN RIM CYLINDER WITH IC
COMPATIBLE WITH SMALL FORMAT INTERCHANGEABLE
CORE ONLY. THE HOUSING WILL BE SUPPLIED FROM pba



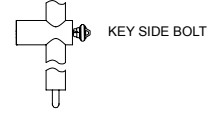
ⓐ CILINDRO PROFILO AMERICANO
MORTISE STANDARD
AMERICAN MORTISE CYLINDER STANDARD

LOCKING
FULL SIZE



KEY
side bolt

P B A
P A T E N T E D
S Y S T E M
PATENT
102019000012465
PATENT
102019000014097



CYLINDER NOT INCLUDED

RIM CYLINDER
WITH IC
COMPATIBLE WITH SMALL FORMAT
INTERCHANGEABLE CORE ONLY. T
HE HOUSING WILL BE SUPPLIED
FROM pba



	ITEM	A	B	C	D1	D2	E	Ø
PAIR BOTTOM LOCKING	KLO.FU4.0000. xx	1050 mm 41 11/32"	2200 mm 86 5/8"	80 mm 3 1/8"	75 mm 2 15/16"	75 mm 2 15/16"	1000 mm 39 3/8"	35 mm 1 3/8"
	KLO.FU4.0072. xx	custom	1828 mm 72"	80 mm 3 1/8"	custom	custom	custom	35 mm 1 3/8"
	KLO.FU4.0084. xx	custom	2133 mm 84"	80 mm 3 1/8"	custom	custom	custom	35 mm 1 3/8"
	KLO.FU4.9999. xx	custom	custom	80 mm 3 1/8"	custom	custom	custom	35 mm 1 3/8"
PAIR TOP/BOTTOM LOCKING	KLO.FU6.0000. xx	1050 mm 41 11/32"	2200 mm 86 5/8"	80 mm 3 1/8"	75 mm 2 15/16"	75 mm 2 15/16"	1000 mm 39 3/8"	35 mm 1 3/8"
	KLO.FU6.9999. xx	custom	custom	80 mm 3 1/8"	custom	custom	custom	35 mm 1 3/8"

.XX = FINISH CODE

- STAINLESS STEEL**
- .43 BRIGHT STAINLESS STEEL (ANSI/BHMA 629 - USD32)
 - .44 SATIN STAINLESS STEEL (ANSI/BHMA 630 - USD32D)
- STAINLESS STEEL POWDER-COATED ON REQUEST**
- .40 BLACK RAL 9005 MAT - TO MATCH WITH PBA BLACK ALUMINUM
 - .26 BLACK RAL 9005 GLOSSY
 - .31 WHITE RAL 9010
 - .32 GREY
 - .38 CHAMPAGNE
 - .39 BRONZE - TO MATCH WITH PBA BRONZE ALUMINUM
 - .36 ARCHITECTURAL BRONZE
 - .56 MEDIUM BRONZE
 - .41 SILVER
 - .55 GOLD

- .99 COLOURS ON REQUEST TO MATCH ANY RAL #
(screws, grub screws and plastic parts non powdercoated)
available on request depending on quantities

EDGE COMPONENT:
BLACK FOR DARK COLOR POWDER
GREY FOR LIGHT COLOR POWDER AND STAINLESS STEEL

DOOR PREPARATION DP1
page K-Lock_234

SPACERS FOR DOUBLE GLAZED DOOR
KLO.KIT.99U4
page K-Lock_231 - page K-Lock_232

STRIKE DETAILS
page K-Lock_228

THESE PRODUCTS CONTRIBUTE TO LEED® CREDITS

THE MANUFACTURER RESERVES THE RIGHT TO ALTER,
IMPROVE AND DISCONTINUE ANY FEATURES OF THE PRODUCT
(MAKE CHANGES AND IMPROVEMENTS IN DESIGNS AND
DIMENSIONS) WITHOUT NOTICE.

ALL DIMENSIONS IN THE CATALOG DRAWINGS ARE APPROXIMATIONS.
REQUEST THE APPROPRIATE TECHNICAL DRAWING BEFORE DOOR
PREPARATION AND INSTALLATION.

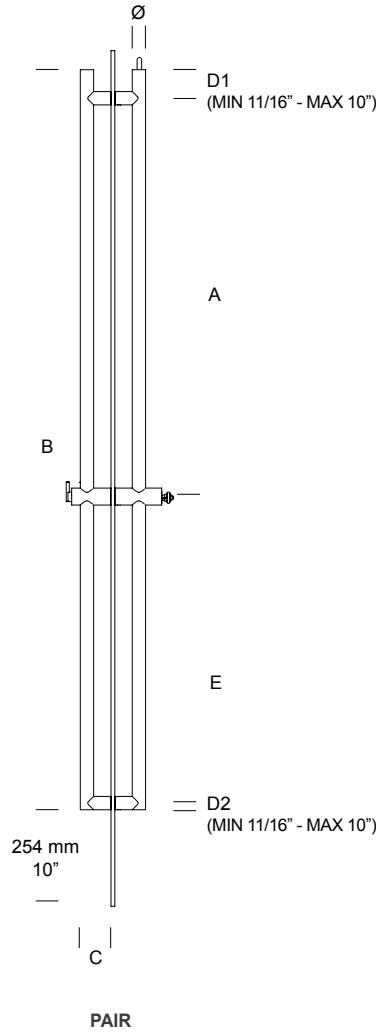


COMBINED NON LOCKING
page K-Lock_76

ITEM
KLO.0G4.000U
KLO.0G4.999U
KLO.0G4.0U72
KLO.0G4.0U84



LOCKING
FULL SIZE

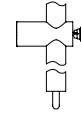


ADA
10"
clearance
layout

**PBA
PATENTED
SYSTEM**

PATENT
102019000012465
PATENT
102019000014097

KEY
side bolt



KEY SIDE BOLT

CYLINDER NOT INCLUDED



RIM CYLINDER
WITH IC

COMPATIBLE WITH SMALL FORMAT
INTERCHANGEABLE CORE ONLY. THE
HOUSING WILL BE SUPPLIED
FROM pba



ADA COMPLIANT
THUMBTURN



ADJUSTABLE STEEL
DEAD BOLT

≈ 30 mm
1 3/16"



DUST-FREE
FLOOR SOCKET

PAIR

TOP
LOCKING



ITEM	A	B	C	D1	D2	E	Ø
KLO.FU4.000R. xx	1050 mm 41 11/32"	1945 mm 76 9/16"	80 mm 3 1/8"	75 mm 2 15/16"	17,5 mm 11/16"	802 mm 31 9/16"	35 mm 1 3/8"
KLO.FU4.0R72. xx	custom	1828 mm 72"	80 mm 3 1/8"	custom	custom	custom	35 mm 1 3/8"
KLO.FU4.999R. xx	custom	custom	80 mm 3 1/8"	custom	custom	custom	35 mm 1 3/8"

.XX = FINISH CODE

STAINLESS STEEL

- .43 BRIGHT STAINLESS STEEL (ANSI/BHMA 629 - USD32)
- .44 SATIN STAINLESS STEEL (ANSI/BHMA 630 - USD32D)

STAINLESS STEEL POWDER-COATED ON REQUEST

- .40 BLACK RAL 9005 MAT - TO MATCH WITH PBA BLACK ALUMINUM
- .26 BLACK RAL 9005 GLOSSY
- .31 WHITE RAL 9010
- .32 GREY
- .38 CHAMPAGNE
- .39 BRONZE - TO MATCH WITH PBA BRONZE ALUMINUM
- .36 ARCHITECTURAL BRONZE
- .56 MEDIUM BRONZE
- .41 SILVER
- .55 GOLD

- .99 COLOURS ON REQUEST TO MATCH ANY RAL #
(screws, grub screws and plastic parts non powdercoated)
available on request depending on quantities

EDGE COMPONENT:

BLACK FOR DARK COLOR POWDER
GREY FOR LIGHT COLOR POWDER AND STAINLESS STEEL

DOOR PREPARATION DP1
page K-Lock_234

SPACERS FOR DOUBLE GLAZED DOOR
KLO.KIT.99U4
page K-Lock_231 - page K-Lock_232

STRIKE DETAILS
page K-Lock_228

THESE PRODUCTS CONTRIBUTE TO **LEED®** CREDITS

THE MANUFACTURER RESERVES THE RIGHT TO ALTER,
IMPROVE AND DISCONTINUE ANY FEATURES OF THE PRODUCT
(MAKE CHANGES AND IMPROVEMENTS IN DESIGNS AND
DIMENSIONS) WITHOUT NOTICE.

ALL DIMENSIONS IN THE CATALOG DRAWINGS ARE APPROXIMATIONS.
REQUEST THE APPROPRIATE TECHNICAL DRAWING BEFORE DOOR
PREPARATION AND INSTALLATION.



Declare.

COMBINED NON LOCKING
page K-Lock_77

ITEM
KLO.0G4.00RU
KLO.0G4.99RU
KLO.0G4.RU72



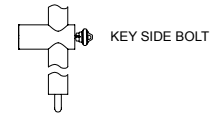
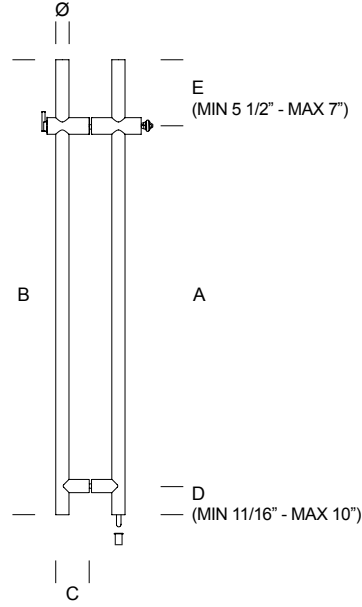
LOCKING
HALF SIZE



PBA
PATENTED
SYSTEM

PATENT
102019000012465
PATENT
102019000014097

KEY
side bolt



CYLINDER NOT INCLUDED



RIM CYLINDER
WITH IC
COMPATIBLE WITH SMALL FORMAT
INTERCHANGEABLE CORE ONLY. THE
HOUSING WILL BE SUPPLIED
FROM pba



ADA COMPLIANT
THUMBTURN



ADJUSTABLE STEEL
DEAD BOLT



DUST-FREE
FLOOR SOCKET

PAIR

	ITEM	A	B	C	D	E	Ø
PAIR	 KLO.FU2.0000. xx	1000 mm 39 3/8"	1250 mm 49 1/4"	80 mm 3 1/8"	75 mm 2 15/16"	175 mm 6 7/8"	35 mm 1 3/8"
BOTTOM LOCKING	KLO.FU2.0048. xx	custom	1219 mm 48"	80 mm 3 1/8"	custom	custom	35 mm 1 3/8"
	KLO.FU2.0060. xx	custom	1524 mm 60"	80 mm 3 1/8"	custom	custom	35 mm 1 3/8"
	KLO.FU2.9999. xx	custom	custom	80 mm 3 1/8"	custom	custom	35 mm 1 3/8"

.XX = FINISH CODE

STAINLESS STEEL

- .43 BRIGHT STAINLESS STEEL (ANSI/BHMA 629 - USD32)
- .44 SATIN STAINLESS STEEL (ANSI/BHMA 630 - USD32D)

STAINLESS STEEL POWDER-COATED ON REQUEST

- .40 BLACK RAL 9005 MAT - TO MATCH WITH PBA BLACK ALUMINUM
- .26 BLACK RAL 9005 GLOSSY
- .31 WHITE RAL 9010
- .32 GREY
- .38 CHAMPAGNE
- .39 BRONZE - TO MATCH WITH PBA BRONZE ALUMINUM
- .36 ARCHITECTURAL BRONZE
- .56 MEDIUM BRONZE
- .41 SILVER
- .55 GOLD

- .99 COLOURS ON REQUEST TO MATCH ANY RAL #
(screws, grub screws and plastic parts non powdercoated)
available on request depending on quantities

EDGE COMPONENT:

BLACK FOR DARK COLOR POWDER
GREY FOR LIGHT COLOR POWDER AND STAINLESS STEEL

DOOR PREPARATION DP2
page K-Lock_235

SPACERS FOR DOUBLE GLAZED DOOR
KLO.KIT.99U2
page K-Lock_231 - page K-Lock_232

THESE PRODUCTS CONTRIBUTE TO LEED® CREDITS

THE MANUFACTURER RESERVES THE RIGHT TO ALTER,
IMPROVE AND DISCONTINUE ANY FEATURES OF THE PRODUCT
(MAKE CHANGES AND IMPROVEMENTS IN DESIGNS AND
DIMENSIONS) WITHOUT NOTICE.

ALL DIMENSIONS IN THE CATALOG DRAWINGS ARE APPROXIMATIONS.
REQUEST THE APPROPRIATE TECHNICAL DRAWING BEFORE DOOR
PREPARATION AND INSTALLATION.



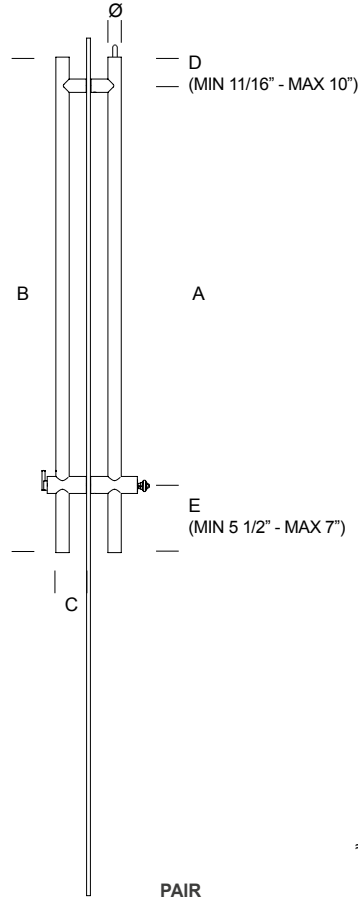
Declare.

COMBINED NON LOCKING
page K-Lock_78

ITEM
KLO.0G2.000U
KLO.0G2.999U
KLO.0G2.0U48
KLO.0G2.0U60



LOCKING
HALF SIZE

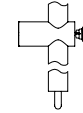


ADA
10"
clearance
layout

**PBA
PATENTED
SYSTEM**

PATENT
102019000012465
PATENT
102019000014097

KEY
side bolt



KEY SIDE BOLT

CYLINDER NOT INCLUDED



RIM CYLINDER
WITH IC

COMPATIBLE WITH SMALL FORMAT
INTERCHANGEABLE CORE ONLY. THE
HOUSING WILL BE SUPPLIED
FROM pba



ADA COMPLIANT
THUMBTURN



ADJUSTABLE STEEL
DEAD BOLT



DUST-FREE
FLOOR SOCKET

PAIR

TOP
LOCKING



ITEM	A	B	C	D	E	Ø
KLO.FU2.000R . xx	1050 mm 41 11/32"	1300 mm 51 3/16"	80 mm 3 1/8"	75 mm 2 15/16"	175 mm 6 7/8"	35 mm 1 3/8"
KLO.FU2.0R48 . xx	custom	1219 mm 48"	80 mm 3 1/8"	custom	custom	35 mm 1 3/8"
KLO.FU2.0R60 . xx	custom	1524 mm 60"	80 mm 3 1/8"	custom	custom	35 mm 1 3/8"
KLO.FU2.0R72 . xx	custom	1828 mm 72"	80 mm 3 1/8"	custom	custom	35 mm 1 3/8"
KLO.FU2.999R . xx	custom	custom	80 mm 3 1/8"	custom	custom	35 mm 1 3/8"

.XX = FINISH CODE

STAINLESS STEEL

- .43 BRIGHT STAINLESS STEEL (ANSI/BHMA 629 - USD32)
- .44 SATIN STAINLESS STEEL (ANSI/BHMA 630 - USD32D)

STAINLESS STEEL POWDER-COATED ON REQUEST

- .40 BLACK RAL 9005 MAT - TO MATCH WITH PBA BLACK ALUMINUM
- .26 BLACK RAL 9005 GLOSSY
- .31 WHITE RAL 9010
- .32 GREY
- .38 CHAMPAGNE
- .39 BRONZE - TO MATCH WITH PBA BRONZE ALUMINUM
- .36 ARCHITECTURAL BRONZE
- .56 MEDIUM BRONZE
- .41 SILVER
- .55 GOLD

- .99 COLOURS ON REQUEST TO MATCH ANY RAL #
(screws, grub screws and plastic parts non powdercoated)
available on request depending on quantities

EDGE COMPONENT:

BLACK FOR DARK COLOR POWDER
GREY FOR LIGHT COLOR POWDER AND STAINLESS STEEL

DOOR PREPARATION DP3
page K-Lock_236

SPACERS FOR DOUBLE GLAZED DOOR
KLO.KIT.9RU2
page K-Lock_231 - page K-Lock_232

STRIKE DETAILS
page K-Lock_228

THESE PRODUCTS CONTRIBUTE TO **LEED®** CREDITS

THE MANUFACTURER RESERVES THE RIGHT TO ALTER,
IMPROVE AND DISCONTINUE ANY FEATURES OF THE PRODUCT
(MAKE CHANGES AND IMPROVEMENTS IN DESIGNS AND
DIMENSIONS) WITHOUT NOTICE.

ALL DIMENSIONS IN THE CATALOG DRAWINGS ARE APPROXIMATIONS.
REQUEST THE APPROPRIATE TECHNICAL DRAWING BEFORE DOOR
PREPARATION AND INSTALLATION.



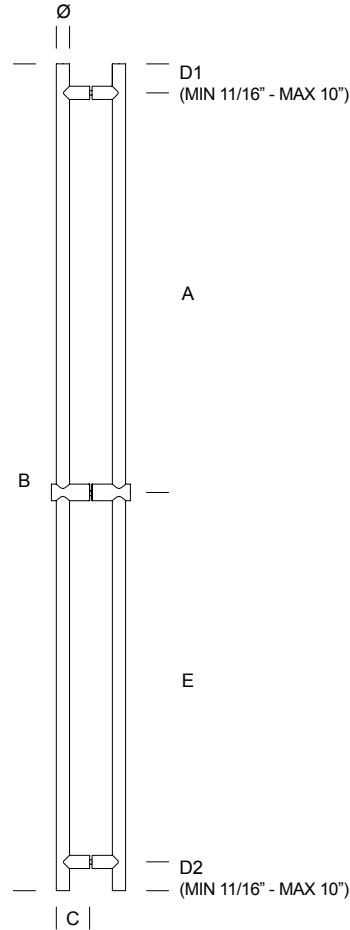
Declare.

COMBINED NON LOCKING
page K-Lock_79

ITEM
KLO.0G2.00RU
KLO.0G2.99RU
KLO.0G2.RU48
KLO.0G2.RU60
KLO.0G2.RU72



**NON LOCKING
FULL SIZE**



BACK TO BACK FIXING KIT
ALWAYS INCLUDED
SUITABLE FOR GLASS /
WOOD / METAL DOOR

PAIR

PAIR	ITEM	A	B	C	D1	D2	E	Ø
	KLO.0G4.000U. xx	1050 mm 41 11/32"	2200 mm 86 5/8"	80 mm 3 1/8"	75 mm 2 15/16"	75 mm 2 15/16"	1000 mm 39 3/8"	35 mm 1 3/8"
	KLO.0G4.0U72. xx	custom	1828 mm 72"	80 mm 3 1/8"	custom	custom	custom	35 mm 1 3/8"
	KLO.0G4.0U84. xx	custom	2133 mm 84"	80 mm 3 1/8"	custom	custom	custom	35 mm 1 3/8"
	KLO.0G4.999U. xx	custom	custom	80 mm 3 1/8"	custom	custom	custom	35 mm 1 3/8"

.XX = FINISH CODE

STAINLESS STEEL

- .43 BRIGHT STAINLESS STEEL (ANSI/BHMA 629 - USD32)
- .44 SATIN STAINLESS STEEL (ANSI/BHMA 630 - USD32D)

STAINLESS STEEL POWDER-COATED ON REQUEST

- .40 BLACK RAL 9005 MAT - TO MATCH WITH PBA BLACK ALUMINUM
- .26 BLACK RAL 9005 GLOSSY
- .31 WHITE RAL 9010
- .32 GREY
- .38 CHAMPAGNE
- .39 BRONZE - TO MATCH WITH PBA BRONZE ALUMINUM
- .36 ARCHITECTURAL BRONZE
- .56 MEDIUM BRONZE
- .41 SILVER
- .55 GOLD

- .99 COLOURS ON REQUEST TO MATCH ANY RAL #
(screws, grub screws and plastic parts non powdercoated)
available on request depending on quantities

EDGE COMPONENT:

- BLACK FOR DARK COLOR POWDER
- GREY FOR LIGHT COLOR POWDER AND STAINLESS STEEL

DOOR PREPARATION DP1
page K-Lock_234

SPACERS FOR DOUBLE GLAZED DOOR
KLO.KIT.99U4
page K-Lock_231 - page K-Lock_232

THESE PRODUCTS CONTRIBUTE TO **LEED**® CREDITS

THE MANUFACTURER RESERVES THE RIGHT TO ALTER, IMPROVE AND DISCONTINUE ANY FEATURES OF THE PRODUCT (MAKE CHANGES AND IMPROVEMENTS IN DESIGNS AND DIMENSIONS) WITHOUT NOTICE.

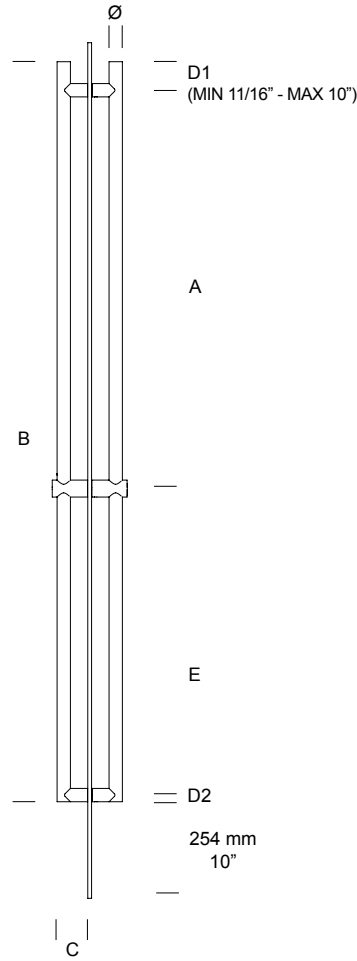
ALL DIMENSIONS IN THE CATALOG DRAWINGS ARE APPROXIMATIONS. REQUEST THE APPROPRIATE TECHNICAL DRAWING BEFORE DOOR PREPARATION AND INSTALLATION.



Declare™

NON LOCKING TO MATCH PULL ON
page K-Lock_72

NON LOCKING
FULL SIZE



ADA
10"
clearance
layout

BACK TO BACK FIXING KIT
ALWAYS INCLUDED
SUITABLE FOR GLASS /
WOOD / METAL DOOR

PAIR

PAIR	ITEM	A	B	C	D1	D2	E	Ø
	KLO.0G4.00RU. xx	1050 mm 41 11/32"	1945 mm 76 9/16"	80 mm 3 1/8"	75 mm 2 15/16"	17,5 mm 11/16"	802 mm 31 9/16"	35 mm 1 3/8"
	KLO.0G4.RU72. xx	custom	1828 mm 72"	80 mm 3 1/8"	custom	17,5 mm 11/16"	custom	35 mm 1 3/8"
	KLO.0G4.99RU. xx	custom	custom	80 mm 3 1/8"	custom	17,5 mm 11/16"	custom	35 mm 1 3/8"

.XX = FINISH CODE

STAINLESS STEEL

- .43 BRIGHT STAINLESS STEEL (ANSI/BHMA 629 - USD32)
- .44 SATIN STAINLESS STEEL (ANSI/BHMA 630 - USD32D)

STAINLESS STEEL POWDER-COATED ON REQUEST

- .40 BLACK RAL 9005 MAT - TO MATCH WITH PBA BLACK ALUMINUM
- .26 BLACK RAL 9005 GLOSSY
- .31 WHITE RAL 9010
- .32 GREY
- .38 CHAMPAGNE
- .39 BRONZE - TO MATCH WITH PBA BRONZE ALUMINUM
- .36 ARCHITECTURAL BRONZE
- .56 MEDIUM BRONZE
- .41 SILVER
- .55 GOLD

- .99 COLOURS ON REQUEST TO MATCH ANY RAL #
(screws, grub screws and plastic parts non powdercoated)
available on request depending on quantities

EDGE COMPONENT:

BLACK FOR DARK COLOR POWDER
GREY FOR LIGHT COLOR POWDER AND STAINLESS STEEL

DOOR PREPARATION DP1
page K-Lock_234

SPACERS FOR DOUBLE GLAZED DOOR
KLO.KIT.99U4
page K-Lock_231 - page K-Lock_232

THESE PRODUCTS CONTRIBUTE TO **LEED®** CREDITS

THE MANUFACTURER RESERVES THE RIGHT TO ALTER, IMPROVE AND DISCONTINUE ANY FEATURES OF THE PRODUCT (MAKE CHANGES AND IMPROVEMENTS IN DESIGNS AND DIMENSIONS) WITHOUT NOTICE.

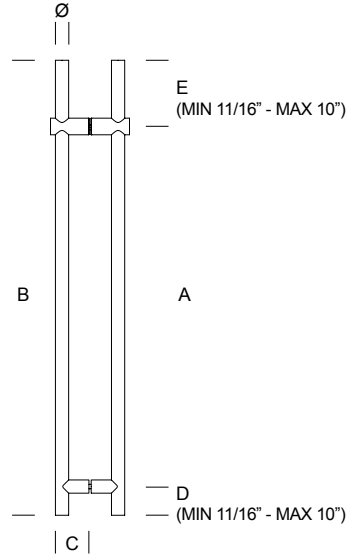
ALL DIMENSIONS IN THE CATALOG DRAWINGS ARE APPROXIMATIONS. REQUEST THE APPROPRIATE TECHNICAL DRAWING BEFORE DOOR PREPARATION AND INSTALLATION.



Declare.

NON LOCKING TO MATCH PULL ON
page K-Lock_73

NON LOCKING
HALF SIZE



BACK TO BACK FIXING KIT
ALWAYS INCLUDED
SUITABLE FOR GLASS /
WOOD / METAL DOOR

PAIR

PAIR	ITEM	A	B	C	D	E	Ø
	KLO.0G2.000U . xx	1000 mm 39 3/8"	1250 mm 49 1/4"	80 mm 3 1/8"	75 mm 2 15/16"	175 mm 6 7/8"	35 mm 1 3/8"
	KLO.0G2.0U48 . xx	custom	1219 mm 48"	80 mm 3 1/8"	custom	custom	35 mm 1 3/8"
	KLO.0G2.0U60 . xx	custom	1524 mm 60"	80 mm 3 1/8"	custom	custom	35 mm 1 3/8"
	KLO.0G2.999U . xx	custom	custom	80 mm 3 1/8"	custom	custom	35 mm 1 3/8"

.XX = FINISH CODE

STAINLESS STEEL

- .43 BRIGHT STAINLESS STEEL (ANSI/BHMA 629 - USD32)
- .44 SATIN STAINLESS STEEL (ANSI/BHMA 630 - USD32D)

STAINLESS STEEL POWDER-COATED ON REQUEST

- .40 BLACK RAL 9005 MAT - TO MATCH WITH PBA BLACK ALUMINUM
- .26 BLACK RAL 9005 GLOSSY
- .31 WHITE RAL 9010
- .32 GREY
- .38 CHAMPAGNE
- .39 BRONZE - TO MATCH WITH PBA BRONZE ALUMINUM
- .36 ARCHITECTURAL BRONZE
- .56 MEDIUM BRONZE
- .41 SILVER
- .55 GOLD

- .99 COLOURS ON REQUEST TO MATCH ANY RAL #
(screws, grub screws and plastic parts non powdercoated)
available on request depending on quantities

EDGE COMPONENT:

- BLACK FOR DARK COLOR POWDER
- GREY FOR LIGHT COLOR POWDER AND STAINLESS STEEL

DOOR PREPARATION DP2
page K-Lock_235

SPACERS FOR DOUBLE GLAZED DOOR
KLO.KIT.99U2
page K-Lock_231 - page K-Lock_232

THESE PRODUCTS CONTRIBUTE TO **LEED®** CREDITS

THE MANUFACTURER RESERVES THE RIGHT TO ALTER, IMPROVE AND DISCONTINUE ANY FEATURES OF THE PRODUCT (MAKE CHANGES AND IMPROVEMENTS IN DESIGNS AND DIMENSIONS) WITHOUT NOTICE.

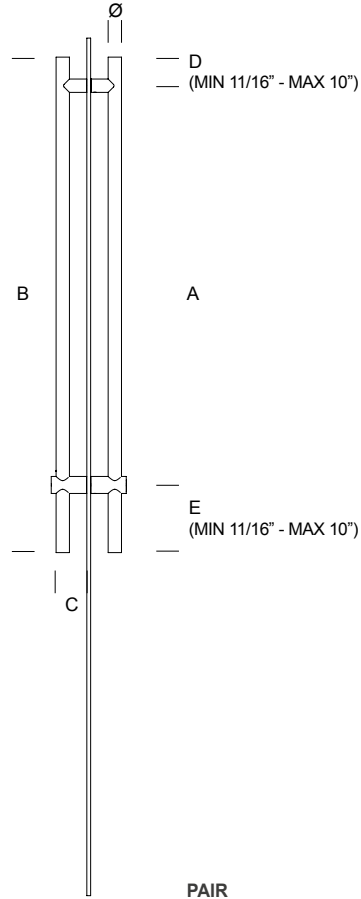
ALL DIMENSIONS IN THE CATALOG DRAWINGS ARE APPROXIMATIONS. REQUEST THE APPROPRIATE TECHNICAL DRAWING BEFORE DOOR PREPARATION AND INSTALLATION.



Declare.

NON LOCKING TO MATCH PULL ON
page K-Lock_74

NON LOCKING
HALF SIZE



ADA
10"
clearance
layout

BACK TO BACK FIXING KIT
ALWAYS INCLUDED
SUITABLE FOR GLASS /
WOOD / METAL DOOR

PAIR	ITEM	A	B	C	D	E	Ø
	KLO.0G2.00RU. xx	1050 mm 41 11/32"	1300 mm 51 3/16"	80 mm 3 1/8"	75 mm 2 15/16"	175 mm 6 7/8"	35 mm 1 3/8"
	KLO.0G2.RU48. xx	custom	1219 mm 48"	80 mm 3 1/8"	custom	custom	35 mm 1 3/8"
	KLO.0G2.RU60. xx	custom	1524 mm 60"	80 mm 3 1/8"	custom	custom	35 mm 1 3/8"
	KLO.0G2.RU72. xx	custom	1828 mm 72"	80 mm 3 1/8"	custom	custom	35 mm 1 3/8"
	KLO.0G2.99RU. xx	custom	custom	80 mm 3 1/8"	custom	custom	35 mm 1 3/8"

.XX = FINISH CODE

STAINLESS STEEL

- .43 BRIGHT STAINLESS STEEL (ANSI/BHMA 629 - USD32)
- .44 SATIN STAINLESS STEEL (ANSI/BHMA 630 - USD32D)

STAINLESS STEEL POWDER-COATED ON REQUEST

- .40 BLACK RAL 9005 MAT - TO MATCH WITH PBA BLACK ALUMINUM
- .26 BLACK RAL 9005 GLOSSY
- .31 WHITE RAL 9010
- .32 GREY
- .38 CHAMPAGNE
- .39 BRONZE - TO MATCH WITH PBA BRONZE ALUMINUM
- .36 ARCHITECTURAL BRONZE
- .56 MEDIUM BRONZE
- .41 SILVER
- .55 GOLD

- .99 COLOURS ON REQUEST TO MATCH ANY RAL #
(screws, grub screws and plastic parts non powdercoated)
available on request depending on quantities

EDGE COMPONENT:

BLACK FOR DARK COLOR POWDER
GREY FOR LIGHT COLOR POWDER AND STAINLESS STEEL

DOOR PREPARATION DP3
page K-Lock_236

SPACERS FOR DOUBLE GLAZED DOOR
KLO.KIT.9RU2
page K-Lock_231- page K-Lock_232

THESE PRODUCTS CONTRIBUTE TO LEED® CREDITS

THE MANUFACTURER RESERVES THE RIGHT TO ALTER, IMPROVE AND DISCONTINUE ANY FEATURES OF THE PRODUCT (MAKE CHANGES AND IMPROVEMENTS IN DESIGNS AND DIMENSIONS) WITHOUT NOTICE.

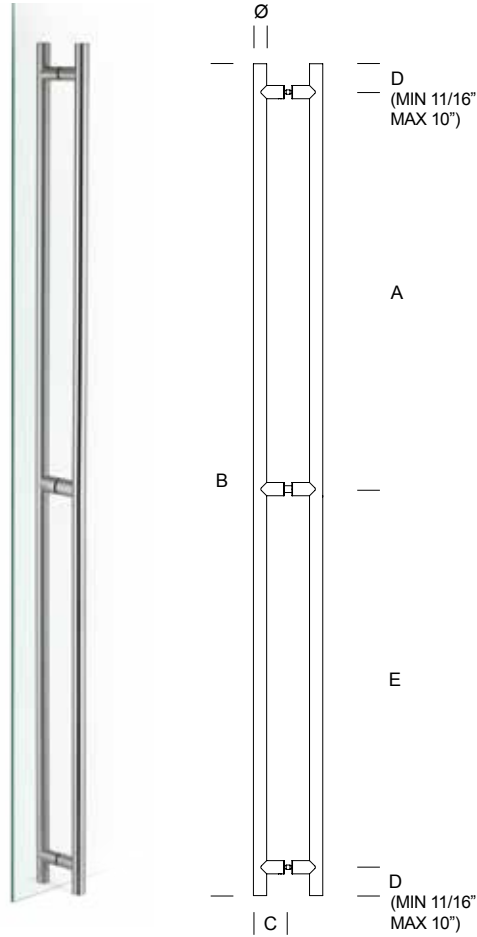
ALL DIMENSIONS IN THE CATALOG DRAWINGS ARE APPROXIMATIONS. REQUEST THE APPROPRIATE TECHNICAL DRAWING BEFORE DOOR PREPARATION AND INSTALLATION.



Declare

NON LOCKING TO MATCH PULL ON
page K-Lock_75

UNIVERSAL
NON LOCKING
FULL SIZE



PAIR

ITEM	A	B	C	D	E	Ø
KLO.0G4.0000 .xx	1050 mm 41 11/32"	2200 mm 86 5/8"	80 mm 3 1/8"	75 mm 2 15/16"	1000 mm 39 3/8"	35 mm 1 3/8"
KLO.0G4.0072 .xx	custom	1828 mm 72"	80 mm 3 1/8"	custom	custom	35 mm 1 3/8"
KLO.0G4.0084 .xx	custom	2133 mm 84"	80 mm 3 1/8"	custom	custom	35 mm 1 3/8"
KLO.0G4.9999 .xx	custom	custom	80 mm 3 1/8"	custom	custom	35 mm 1 3/8"

.XX = FINISH CODE

STAINLESS STEEL

- .43 BRIGHT STAINLESS STEEL (ANSI/BHMA 629 - USD32)
- .44 SATIN STAINLESS STEEL (ANSI/BHMA 630 - USD32D)

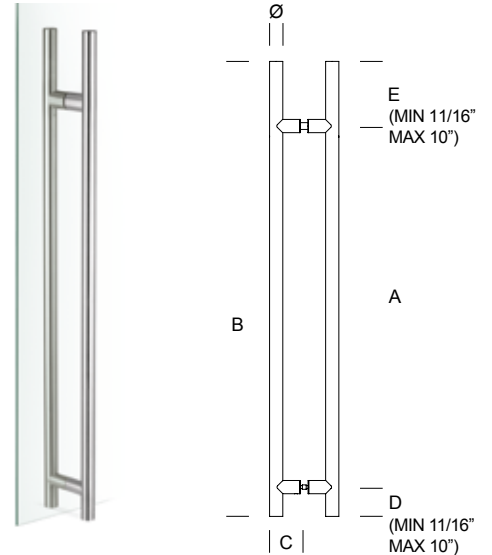
STAINLESS STEEL POWDER-COATED ON REQUEST

- .40 BLACK RAL 9005 MAT - TO MATCH WITH PBA BLACK ALUMINUM
- .26 BLACK RAL 9005 GLOSSY
- .31 WHITE RAL 9010
- .32 GREY
- .38 CHAMPAGNE
- .39 BRONZE - TO MATCH WITH PBA BRONZE ALUMINUM
- .36 ARCHITECTURAL BRONZE
- .56 MEDIUM BRONZE
- .41 SILVER
- .55 GOLD

- .99 COLOURS ON REQUEST TO MATCH ANY RAL # (screws, grub screws and plastic parts non powdercoated) available on request depending on quantities

EDGE COMPONENT:
BLACK FOR DARK COLOR POWDER
GREY FOR LIGHT COLOR POWDER AND
STAINLESS STEEL

UNIVERSAL
NON LOCKING
HALF SIZE



PAIR

ITEM	A	B	C	D	E	Ø
KLO.0G2.0000 .xx	1000 mm 39 3/8"	1250 mm 49 1/4"	80 mm 3 1/8"	75 mm 2 15/16"	175 mm 6 7/8"	35 mm 1 3/8"
KLO.0G2.0048 .xx	custom	1219 mm 48"	80 mm 3 1/8"	custom	custom	35 mm 1 3/8"
KLO.0G2.0060 .xx	custom	1524 mm 60"	80 mm 3 1/8"	custom	custom	35 mm 1 3/8"
KLO.0G2.9999 .xx	custom	custom	80 mm 3 1/8"	custom	custom	35 mm 1 3/8"

DOOR PREPARATION:
DP4 (UNIVERSAL NO LOCKING FULL SIZE)
DP5 (UNIVERSAL NO LOCKING HALF SIZE)
page K-Lock_237 - page K-Lock_238

SPACERS FOR DOUBLE GLAZED DOOR
2CC.KIT.0010 (UNIVERSAL NO LOCKING FULL SIZE)
2CC.KIT.0009 (UNIVERSAL NO LOCKING HALF SIZE)
page K-Lock_231 - page K-Lock_232

BACK TO BACK FIXING KIT ALWAYS INCLUDED
SUITABLE FOR GLASS / WOOD / METAL DOOR

THESE PRODUCTS CONTRIBUTE TO **LEED®** CREDITS

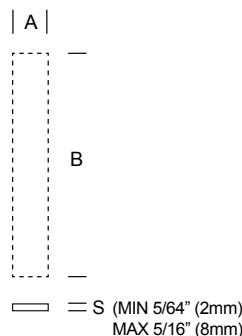
THE MANUFACTURER RESERVES THE RIGHT TO ALTER, IMPROVE AND DISCONTINUE ANY FEATURES OF THE PRODUCT (MAKE CHANGES AND IMPROVEMENTS IN DESIGNS AND DIMENSIONS) WITHOUT NOTICE.

ALL DIMENSIONS IN THE CATALOG DRAWINGS ARE APPROXIMATIONS. REQUEST THE APPROPRIATE TECHNICAL DRAWING BEFORE DOOR PREPARATION AND INSTALLATION.



STAINLESS STEEL PLATE / PLAQUE ON REQUEST - PLACCA / PIASTRA A MISURA IN ACCIAIO INOX

ITEM	A	B	S
2MM.PLA.9999 .xx	custom	custom	custom



AVAILABLE WITH HOLES FOR FIXING WITH SCREWS OR WITHOUT HOLES FOR GLUING. FIXINGS NOT INCLUDED

DISPONIBILE CON FORI PER FISSAGGIO CON VITI O SENZA FORI PER INCOLLAGGIO. FISSAGGI NON INCLUSI.

.XX = FINISH CODE

STAINLESS STEEL

- .43 BRIGHT STAINLESS STEEL (ANSI/BHMA 629 - USD32)
- .44 SATIN STAINLESS STEEL (ANSI/BHMA 630 - USD32D)

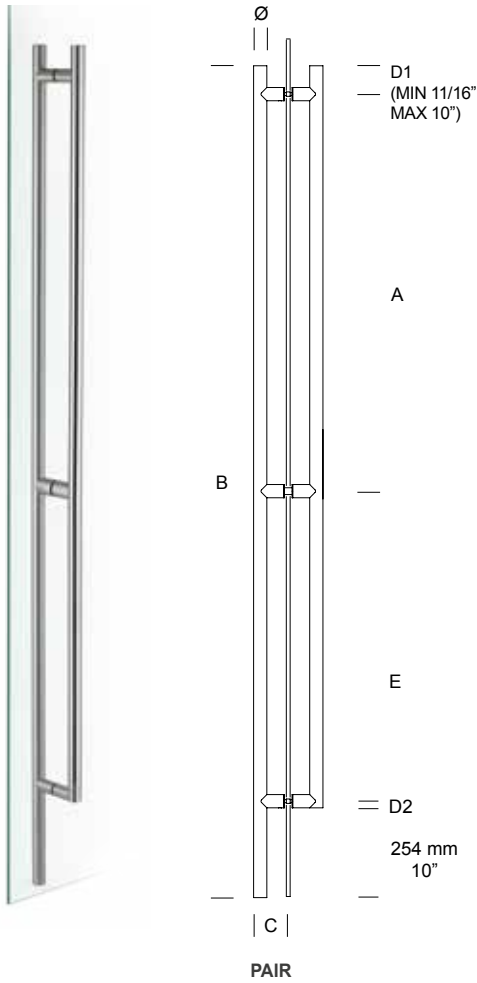
STAINLESS STEEL POWDER-COATED ON REQUEST

- .40 BLACK RAL 9005 MAT - TO MATCH WITH PBA BLACK ALUMINUM
- .26 BLACK RAL 9005 GLOSSY
- .31 WHITE RAL 9010
- .32 GREY
- .38 CHAMPAGNE
- .39 BRONZE - TO MATCH WITH PBA BRONZE ALUMINUM
- .36 ARCHITECTURAL BRONZE
- .56 MEDIUM BRONZE
- .41 SILVER
- .55 GOLD

- .99 COLOURS ON REQUEST TO MATCH ANY RAL # (screws, grub screws and plastic parts non powdercoated) available on request depending on quantities

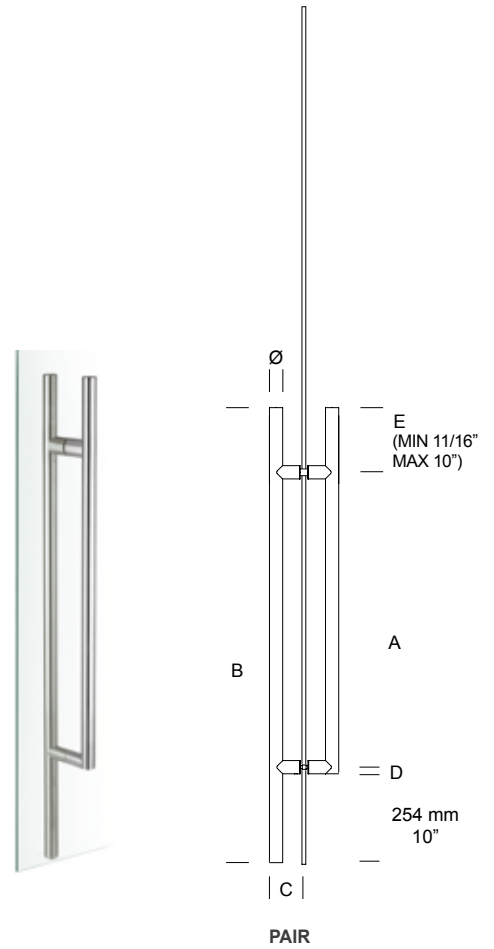
UNIVERSAL
NON LOCKING
FULL SIZE

ADA
10"
clearance
Layout



UNIVERSAL
NON LOCKING
HALF SIZE

ADA
10"
clearance
Layout



ITEM	A	B	C	D1-D2	E	Ø
KLO.0G4.999T	custom	custom	80 mm 3 1/8"	custom	custom	35 mm 1 3/8"

ITEM	A	B	C	D	E	Ø
KLO.0G2.999T PAIR	custom	custom	80 mm 3 1/8"	17,5 mm 11/16"	custom	35 mm 1 3/8"

.XX = FINISH CODE

STAINLESS STEEL

- .43 BRIGHT STAINLESS STEEL (ANSI/BHMA 629 - USD32)
- .44 SATIN STAINLESS STEEL (ANSI/BHMA 630 - USD32D)

STAINLESS STEEL POWDER-COATED ON REQUEST

- .40 BLACK RAL 9005 MAT - TO MATCH WITH PBA BLACK ALUMINUM
- .26 BLACK RAL 9005 GLOSSY
- .31 WHITE RAL 9010
- .32 GREY
- .38 CHAMPAGNE
- .39 BRONZE - TO MATCH WITH PBA BRONZE ALUMINUM
- .36 ARCHITECTURAL BRONZE
- .56 MEDIUM BRONZE
- .41 SILVER
- .55 GOLD

- .99 COLOURS ON REQUEST TO MATCH ANY RAL #
(screws, grub screws and plastic parts non powdercoated)
available on request depending on quantities

EDGE COMPONENT:

- BLACK FOR DARK COLOR POWDER
- GREY FOR LIGHT COLOR POWDER AND STAINLESS STEEL

DOOR PREPARATION:

- DP4 (UNIVERSAL NO LOCKING FULL SIZE)
- DP5 (UNIVERSAL NO LOCKING HALF SIZE)
- page K-Lock_237 - page K-Lock_238

SPACERS FOR DOUBLE GLAZED DOOR

- 2CC.KIT.0010 (UNIVERSAL NO LOCKING FULL SIZE)
- 2CC.KIT.0009 (UNIVERSAL NO LOCKING HALF SIZE)
- page K-Lock_231 - page K-Lock_232

BACK TO BACK FIXING KIT ALWAYS INCLUDED
SUITABLE FOR GLASS / WOOD / METAL DOOR

THESE PRODUCTS CONTRIBUTE TO LEED® CREDITS

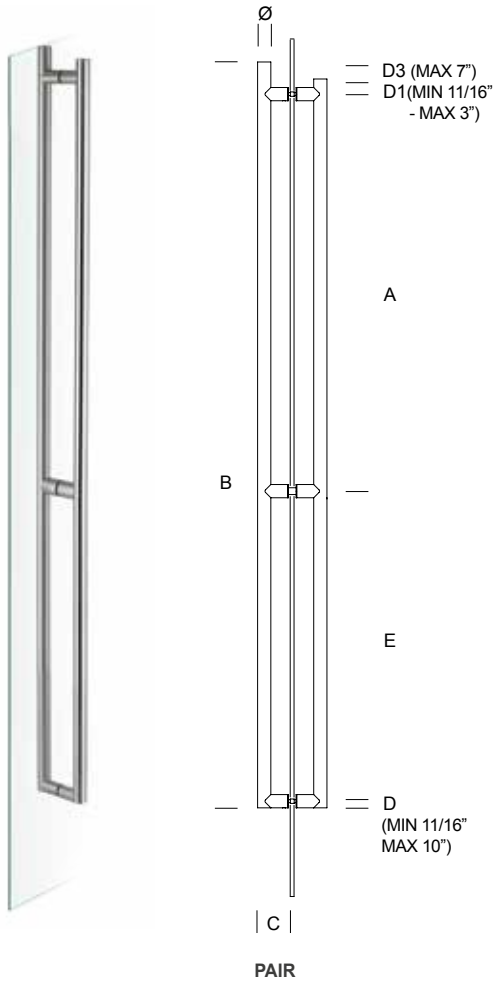
THE MANUFACTURER RESERVES THE RIGHT TO ALTER, IMPROVE AND DISCONTINUE ANY FEATURES OF THE PRODUCT (MAKE CHANGES AND IMPROVEMENTS IN DESIGNS AND DIMENSIONS) WITHOUT NOTICE.

ALL DIMENSIONS IN THE CATALOG DRAWINGS ARE APPROXIMATIONS. REQUEST THE APPROPRIATE TECHNICAL DRAWING BEFORE DOOR PREPARATION AND INSTALLATION.



UNIVERSAL
NON LOCKING
FULL SIZE

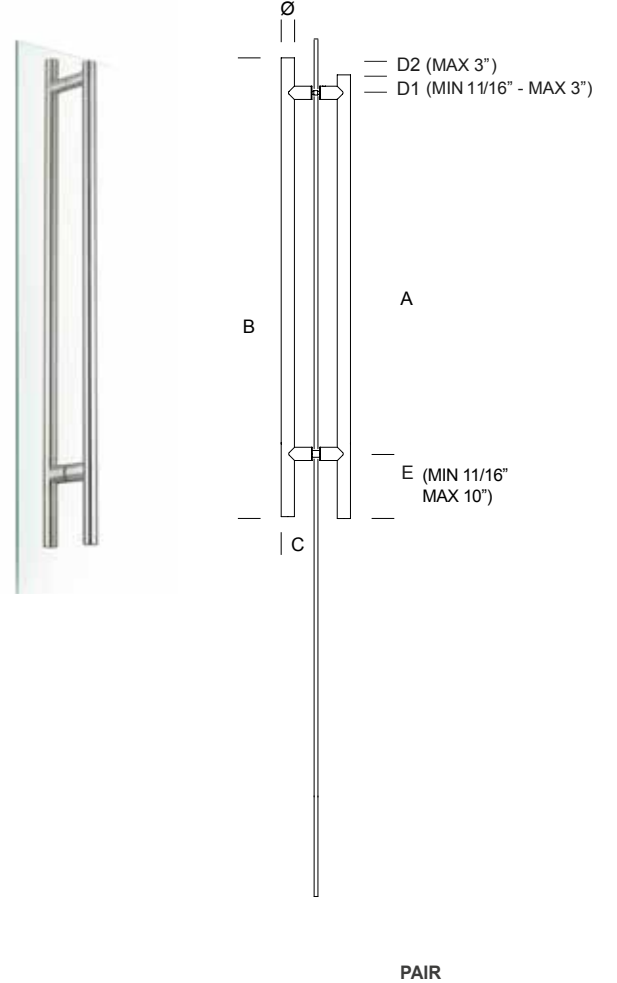
ADA
10"
clearance
Layout



ITEM	A	B	C	D-D2-D3	E	Ø
KLO.0G4.999Z. xx	custom	custom	80 mm 3 1/8"	custom	custom	35 mm 1 3/8"
PAIR						

UNIVERSAL
NON LOCKING
HALF SIZE

ADA
10"
clearance
Layout



ITEM	A	B	C	D	E	Ø
KLO.0G2.999Z. xx	custom	custom	80 mm 3 1/8"	custom	custom	35 mm 1 3/8"
PAIR						

.XX = FINISH CODE

- STAINLESS STEEL**
- .43 BRIGHT STAINLESS STEEL (ANSI/BHMA 629 - USD32)
 - .44 SATIN STAINLESS STEEL (ANSI/BHMA 630 - USD32D)
- STAINLESS STEEL POWDER-COATED ON REQUEST**
- .40 BLACK RAL 9005 MAT - TO MATCH WITH PBA BLACK ALUMINUM
 - .26 BLACK RAL 9005 GLOSSY
 - .31 WHITE RAL 9010
 - .32 GREY
 - .38 CHAMPAGNE
 - .39 BRONZE - TO MATCH WITH PBA BRONZE ALUMINUM
 - .36 ARCHITECTURAL BRONZE
 - .56 MEDIUM BRONZE
 - .41 SILVER
 - .55 GOLD

- .99 COLOURS ON REQUEST TO MATCH ANY RAL #
(screws, grub screws and plastic parts non powdercoated)
available on request depending on quantities

EDGE COMPONENT:
BLACK FOR DARK COLOR POWDER
GREY FOR LIGHT COLOR POWDER AND STAINLESS STEEL

DOOR PREPARATION:
DP4 (UNIVERSAL NO LOCKING FULL SIZE)
DP5 (UNIVERSAL NO LOCKING HALF SIZE)
page K-Lock_237 - page K-Lock_238

SPACERS FOR DOUBLE GLAZED DOOR
2CC.KIT.0010 (UNIVERSAL NO LOCKING FULL SIZE)
2CC.KIT.0009 (UNIVERSAL NO LOCKING HALF SIZE)
page K-Lock_231 - page K-Lock_232

BACK TO BACK FIXING KIT ALWAYS INCLUDED
SUITABLE FOR GLASS / WOOD / METAL DOOR

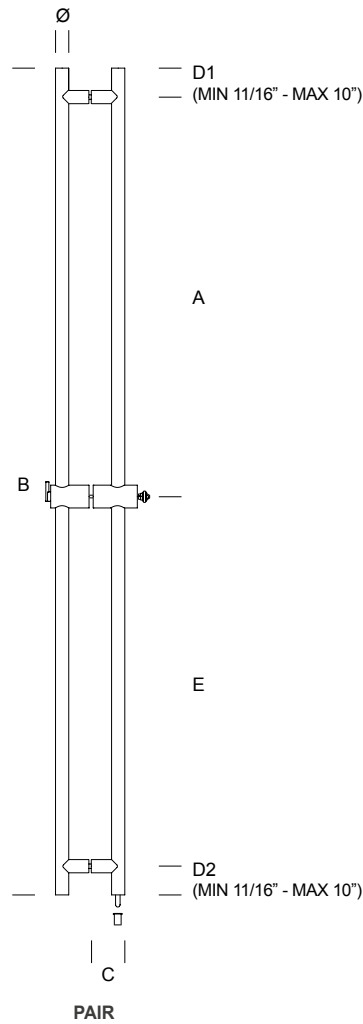
THESE PRODUCTS CONTRIBUTE TO LEED® CREDITS

THE MANUFACTURER RESERVES THE RIGHT TO ALTER, IMPROVE AND DISCONTINUE ANY FEATURES OF THE PRODUCT (MAKE CHANGES AND IMPROVEMENTS IN DESIGNS AND DIMENSIONS) WITHOUT NOTICE.

ALL DIMENSIONS IN THE CATALOG DRAWINGS ARE APPROXIMATIONS. REQUEST THE APPROPRIATE TECHNICAL DRAWING BEFORE DOOR PREPARATION AND INSTALLATION.



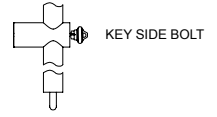
LOCKING
FULL SIZE



PBA
PATENTED
SYSTEM

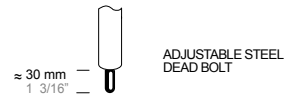
PATENT
ITALY 10201800000636
USA 16/223,804
PATENT
ITALY 102018000003005
USA 10,829,958 B2

KEY
side bolt



CYLINDER NOT INCLUDED

pba CAN ACCOMMODATE
ANY MORTISE CYLINDER BRAND



BRAND OF COMPATIBLE RIM CYLINDER:

- ARROW
- CORBIN RUSSWIN
- MEDECO
- SCHLAGE
- BEST
- KABAILCO
- SARGENT
- YALE

	ITEM	A	B	C	D1	D2	E	Ø
PAIR BOTTOM LOCKING	KLO.FM4.0000. xx	1050 mm 41 11/32"	2200 mm 86 5/8"	80 mm 3 1/8"	75 mm 2 15/16"	75 mm 2 15/16"	1000 mm 39 3/8"	35 mm 1 3/8"
	KLO.FM4.0072. xx	custom	1828 mm 72"	80 mm 3 1/8"	custom	custom	custom	35 mm 1 3/8"
	KLO.FM4.0084. xx	custom	2133 mm 84"	80 mm 3 1/8"	custom	custom	custom	35 mm 1 3/8"
	KLO.FM4.9999. xx	custom	custom	80 mm 3 1/8"	custom	custom	custom	35 mm 1 3/8"
PAIR TOP/BOTTOM LOCKING	KLO.FM6.0000. xx	1050 mm 41 11/32"	2200 mm 86 5/8"	80 mm 3 1/8"	75 mm 2 15/16"	75 mm 2 15/16"	1000 mm 39 3/8"	35 mm 1 3/8"
	KLO.FM6.9999. xx	custom	custom	80 mm 3 1/8"	custom	custom	custom	35 mm 1 3/8"

.XX = FINISH CODE

STAINLESS STEEL

- .43 BRIGHT STAINLESS STEEL (ANSI/BHMA 629 - USD32)
- .44 SATIN STAINLESS STEEL (ANSI/BHMA 630 - USD32D)

STAINLESS STEEL POWDER-COATED ON REQUEST

- .40 BLACK RAL 9005 MAT - TO MATCH WITH PBA BLACK ALUMINUM
- .26 BLACK RAL 9005 GLOSSY
- .31 WHITE RAL 9010
- .32 GREY
- .38 CHAMPAGNE
- .39 BRONZE - TO MATCH WITH PBA BRONZE ALUMINUM
- .36 ARCHITECTURAL BRONZE
- .56 MEDIUM BRONZE
- .41 SILVER
- .55 GOLD

- .99 COLOURS ON REQUEST TO MATCH ANY RAL #
(screws, grub screws and plastic parts non powdercoated)
available on request depending on quantities

EDGE COMPONENT:

BLACK FOR DARK COLOR POWDER
GREY FOR LIGHT COLOR POWDER AND STAINLESS STEEL

DOOR PREPARATION DP1
page K-Lock_234

SPACERS FOR DOUBLE GLAZED DOOR
KLO.KIT.99M4
page K-Lock_231 - page K-Lock_232

STRIKE DETAILS
page K-Lock_228

THESE PRODUCTS CONTRIBUTE TO LEED® CREDITS

THE MANUFACTURER RESERVES THE RIGHT TO ALTER,
IMPROVE AND DISCONTINUE ANY FEATURES OF THE PRODUCT
(MAKE CHANGES AND IMPROVEMENTS IN DESIGNS AND
DIMENSIONS) WITHOUT NOTICE.

ALL DIMENSIONS IN THE CATALOG DRAWINGS ARE APPROXIMATIONS.
REQUEST THE APPROPRIATE TECHNICAL DRAWING BEFORE DOOR
PREPARATION AND INSTALLATION.



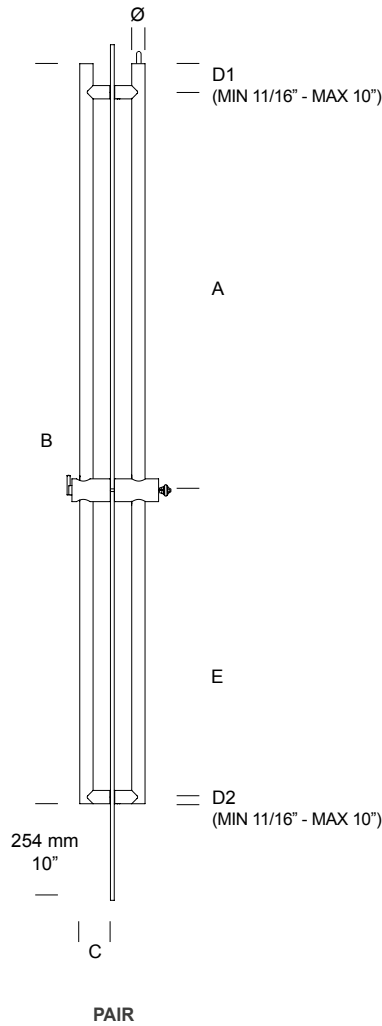
Declare.

COMBINED NON LOCKING
page K-Lock_87

ITEM
KLO.0G4.000M
KLO.0G4.999M
KLO.0G4.0M72
KLO.0G4.0M84



LOCKING
FULL SIZE

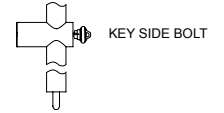


ADA
10"
clearance
Layout



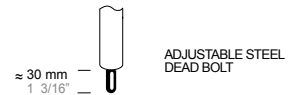
PATENT
ITALY 102018000000636
USA 16/223,804
PATENT
ITALY 102018000003005
USA 10,829,958 B2

KEY
side bolt

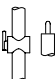


CYLINDER NOT INCLUDED

pba CAN ACCOMMODATE
ANY MORTISE CYLINDER BRAND



BRAND OF COMPATIBLE RIM CYLINDER:	
- ARROW	- BEST
- CORBIN RUSSWIN	- KABAILCO
- MEDECO	- SARGENT
- SCHLAGE	- YALE

	ITEM	A	B	C	D1	D2	E	Ø
PAIR	 KLO.FM4.000R. xx	1050 mm 41 11/32"	1945 mm 76 9/16"	80 mm 3 1/8"	75 mm 2 15/16"	17,5 mm 11/16"	802 mm 31 9/16"	35 mm 1 3/8"
TOP LOCKING	KLO.FM4.0R72. xx	custom	1828 mm 72"	80 mm 3 1/8"	custom	custom	custom	35 mm 1 3/8"
	KLO.FM4.999R. xx	custom	custom	80 mm 3 1/8"	custom	custom	custom	35 mm 1 3/8"

XX = FINISH CODE

- STAINLESS STEEL**
 .43 BRIGHT STAINLESS STEEL (ANSI/BHMA 629 - USD32)
 .44 SATIN STAINLESS STEEL (ANSI/BHMA 630 - USD32D)
- STAINLESS STEEL POWDER-COATED ON REQUEST**
 .40 BLACK RAL 9005 MAT - TO MATCH WITH PBA BLACK ALUMINUM
 .26 BLACK RAL 9005 GLOSSY
 .31 WHITE RAL 9010
 .32 GREY
 .38 CHAMPAGNE
 .39 BRONZE - TO MATCH WITH PBA BRONZE ALUMINUM
 .36 ARCHITECTURAL BRONZE
 .56 MEDIUM BRONZE
 .41 SILVER
 .55 GOLD
- .99 COLOURS ON REQUEST TO MATCH ANY RAL #
 (screws, grub screws and plastic parts non powdercoated)
 available on request depending on quantities
- EDGE COMPONENT:**
 BLACK FOR DARK COLOR POWDER
 GREY FOR LIGHT COLOR POWDER AND STAINLESS STEEL

DOOR PREPARATION DP1
page K-Lock_234

SPACERS FOR DOUBLE GLAZED DOOR
KLO.KIT.99M4
page K-Lock_231 - page K-Lock_232

STRIKE DETAILS
page K-Lock_228

THESE PRODUCTS CONTRIBUTE TO LEED® CREDITS

THE MANUFACTURER RESERVES THE RIGHT TO ALTER,
IMPROVE AND DISCONTINUE ANY FEATURES OF THE PRODUCT
(MAKE CHANGES AND IMPROVEMENTS IN DESIGNS AND
DIMENSIONS) WITHOUT NOTICE.

ALL DIMENSIONS IN THE CATALOG DRAWINGS ARE APPROXIMATIONS.
REQUEST THE APPROPRIATE TECHNICAL DRAWING BEFORE DOOR
PREPARATION AND INSTALLATION.

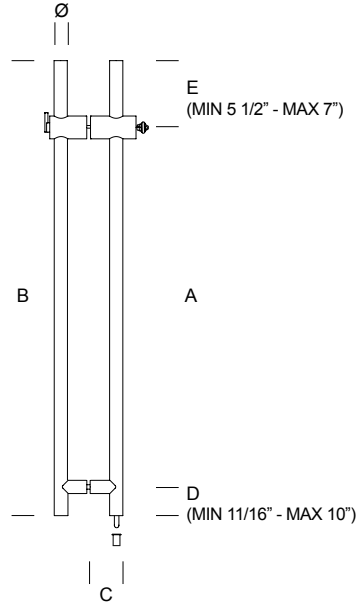


COMBINED NON LOCKING
page K-Lock_88

ITEM
KLO.0G4.00RM
KLO.0G4.99RM
KLO.0G4.RM72



LOCKING
HALF SIZE

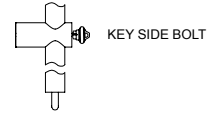


PAIR

P B A
P A T E N T E D
S Y S T E M

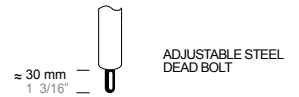
PATENT
ITALY 10201800000636
USA 16/223,804
PATENT
ITALY 102018000003005
USA 10,829,958 B2

KEY
side bolt



CYLINDER NOT INCLUDED

pba CAN ACCOMODATE
ANY MORTISE CYLINDER BRAND



BRAND OF COMPATIBLE RIM CYLINDER:
- ARROW - BEST
- CORBIN RUSSWIN - KABAILCO
- MEDECO - SARGENT
- SCHLAGE - YALE

	ITEM	A	B	C	D	E	Ø
PAIR	KLO.FM2.0000. xx	1000 mm 39 3/8"	1250 mm 49 1/4"	80 mm 3 1/8"	75 mm 2 15/16"	175 mm 6 7/8"	35 mm 1 3/8"
BOTTOM LOCKING	KLO.FM2.0048. xx	custom	1219 mm 48"	80 mm 3 1/8"	custom	custom	35 mm 1 3/8"
	KLO.FM2.0060. xx	custom	1524 mm 60"	80 mm 3 1/8"	custom	custom	35 mm 1 3/8"
	KLO.FM2.9999. xx	custom	custom	80 mm 3 1/8"	custom	custom	35 mm 1 3/8"

.XX = FINISH CODE

STAINLESS STEEL

- .43 BRIGHT STAINLESS STEEL (ANSI/BHMA 629 - USD32)
- .44 SATIN STAINLESS STEEL (ANSI/BHMA 630 - USD32D)

STAINLESS STEEL POWDER-COATED ON REQUEST

- .40 BLACK RAL 9005 MAT - TO MATCH WITH PBA BLACK ALUMINUM
- .26 BLACK RAL 9005 GLOSSY
- .31 WHITE RAL 9010
- .32 GREY
- .38 CHAMPAGNE
- .39 BRONZE - TO MATCH WITH PBA BRONZE ALUMINUM
- .36 ARCHITECTURAL BRONZE
- .56 MEDIUM BRONZE
- .41 SILVER
- .55 GOLD

- .99 COLOURS ON REQUEST TO MATCH ANY RAL #
(screws, grub screws and plastic parts non powdercoated)
available on request depending on quantities

EDGE COMPONENT:

BLACK FOR DARK COLOR POWDER
GREY FOR LIGHT COLOR POWDER AND STAINLESS STEEL

DOOR PREPARATION DP2
page K-Lock_235

SPACERS FOR DOUBLE GLAZED DOOR
KLO.KIT.99M2
page K-Lock_231 - page K-Lock_232

THESE PRODUCTS CONTRIBUTE TO LEED® CREDITS

THE MANUFACTURER RESERVES THE RIGHT TO ALTER,
IMPROVE AND DISCONTINUE ANY FEATURES OF THE PRODUCT
(MAKE CHANGES AND IMPROVEMENTS IN DESIGNS AND
DIMENSIONS) WITHOUT NOTICE.

ALL DIMENSIONS IN THE CATALOG DRAWINGS ARE APPROXIMATIONS.
REQUEST THE APPROPRIATE TECHNICAL DRAWING BEFORE DOOR
PREPARATION AND INSTALLATION.

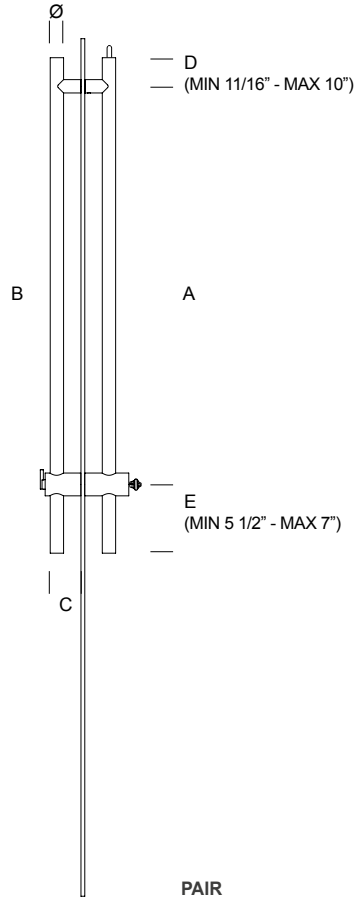


COMBINED NON LOCKING
page K-Lock_89

ITEM
KLO.0G2.000M
KLO.0G2.999M
KLO.0G2.0M48
KLO.0G2.0M60



LOCKING
HALF SIZE

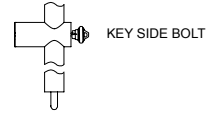


ADA
10"
clearance
Layout



PATENT
ITALY 10201800000636
USA 16/223,804
PATENT
ITALY 102018000003005
USA 10,829,958 B2

KEY
side bolt



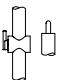
CYLINDER NOT INCLUDED

pba CAN ACCOMMODATE
ANY MORTISE CYLINDER BRAND



BRAND OF COMPATIBLE RIM CYLINDER:

- ARROW
- CORBIN RUSSWIN
- MEDECO
- SCHLAGE
- BEST
- KABAILCO
- SARGENT
- YALE

	ITEM	A	B	C	D	E	Ø
PAIR	 KLO.FM2.000R. xx	1050 mm 41 11/32"	1300 mm 51 3/16"	80 mm 3 1/8"	75 mm 2 15/16"	175 mm 6 7/8"	35 mm 1 3/8"
TOP LOCKING	KLO.FM2.0R48. xx	custom	1219 mm 48"	80 mm 3 1/8"	custom	custom	35 mm 1 3/8"
	KLO.FM2.0R60. xx	custom	1524 mm 60"	80 mm 3 1/8"	custom	custom	35 mm 1 3/8"
	KLO.FM2.0R72. xx	custom	1828 mm 72"	80 mm 3 1/8"	custom	custom	35 mm 1 3/8"
	KLO.FM2.999R. xx	custom	custom	80 mm 3 1/8"	custom	custom	35 mm 1 3/8"

.XX = FINISH CODE

STAINLESS STEEL

- .43 BRIGHT STAINLESS STEEL (ANSI/BHMA 629 - USD32)
- .44 SATIN STAINLESS STEEL (ANSI/BHMA 630 - USD32D)

STAINLESS STEEL POWDER-COATED ON REQUEST

- .40 BLACK RAL 9005 MAT - TO MATCH WITH PBA BLACK ALUMINUM
- .26 BLACK RAL 9005 GLOSSY
- .31 WHITE RAL 9010
- .32 GREY
- .38 CHAMPAGNE
- .39 BRONZE - TO MATCH WITH PBA BRONZE ALUMINUM
- .36 ARCHITECTURAL BRONZE
- .56 MEDIUM BRONZE
- .41 SILVER
- .55 GOLD

- .99 COLOURS ON REQUEST TO MATCH ANY RAL #
(screws, grub screws and plastic parts non powdercoated)
available on request depending on quantities

EDGE COMPONENT:

BLACK FOR DARK COLOR POWDER
GREY FOR LIGHT COLOR POWDER AND STAINLESS STEEL

DOOR PREPARATION DP3

page K-Lock_236

SPACERS FOR DOUBLE GLAZED DOOR

KLO.KIT.9RM2
page K-Lock_231 - page K-Lock_232

STRIKE DETAILS

page K-Lock_228

THESE PRODUCTS CONTRIBUTE TO **LEED®** CREDITS

THE MANUFACTURER RESERVES THE RIGHT TO ALTER, IMPROVE AND DISCONTINUE ANY FEATURES OF THE PRODUCT (MAKE CHANGES AND IMPROVEMENTS IN DESIGNS AND DIMENSIONS) WITHOUT NOTICE.

ALL DIMENSIONS IN THE CATALOG DRAWINGS ARE APPROXIMATIONS. REQUEST THE APPROPRIATE TECHNICAL DRAWING BEFORE DOOR PREPARATION AND INSTALLATION.



Declare

COMBINED NON LOCKING

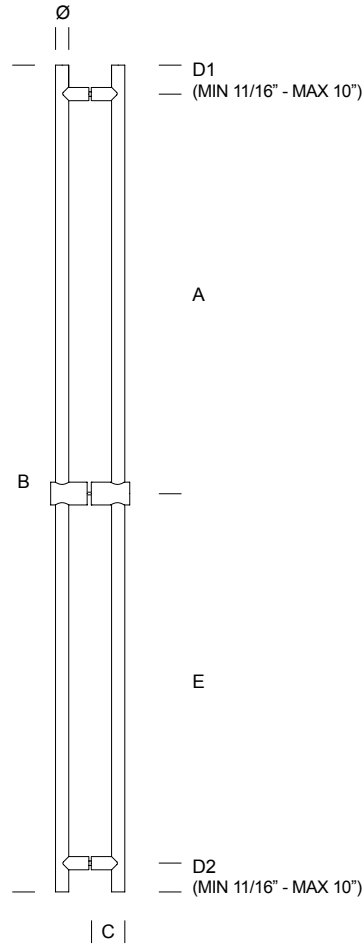
page K-Lock_90

ITEM

- KLO.0G2.00RM
- KLO.0G2.99RM
- KLO.0G2.RM48
- KLO.0G2.RM60
- KLO.0G2.RM72



NON LOCKING
FULL SIZE



BACK TO BACK FIXING KIT
ALWAYS INCLUDED
SUITABLE FOR GLASS /
WOOD / METAL DOOR

PAIR

PAIR	ITEM	A	B	C	D1	D2	E	Ø
	KLO.0G4.000M. xx	1050 mm 41 11/32"	2200 mm 86 5/8"	80 mm 3 1/8"	75 mm 2 15/16"	75 mm 2 15/16"	1000 mm 39 3/8"	35 mm 1 3/8"
	KLO.0G4.0M72. xx	custom	1828 mm 72"	80 mm 3 1/8"	custom	custom	custom	35 mm 1 3/8"
	KLO.0G4.0M84. xx	custom	2133 mm 84"	80 mm 3 1/8"	custom	custom	custom	35 mm 1 3/8"
	KLO.0G4.999M. xx	custom	custom	80 mm 3 1/8"	custom	custom	custom	35 mm 1 3/8"

.XX = FINISH CODE

STAINLESS STEEL

- .43 BRIGHT STAINLESS STEEL (ANSI/BHMA 629 - USD32)
- .44 SATIN STAINLESS STEEL (ANSI/BHMA 630 - USD32D)

STAINLESS STEEL POWDER-COATED ON REQUEST

- .40 BLACK RAL 9005 MAT - TO MATCH WITH PBA BLACK ALUMINUM
- .26 BLACK RAL 9005 GLOSSY
- .31 WHITE RAL 9010
- .32 GREY
- .38 CHAMPAGNE
- .39 BRONZE - TO MATCH WITH PBA BRONZE ALUMINUM
- .36 ARCHITECTURAL BRONZE
- .56 MEDIUM BRONZE
- .41 SILVER
- .55 GOLD

- .99 COLOURS ON REQUEST TO MATCH ANY RAL #
(screws, grub screws and plastic parts non powdercoated)
available on request depending on quantities

EDGE COMPONENT:

- BLACK FOR DARK COLOR POWDER
- GREY FOR LIGHT COLOR POWDER AND STAINLESS STEEL

DOOR PREPARATION DP1
page K-Lock_234

SPACERS FOR DOUBLE GLAZED DOOR
KLO.KIT.99M4
page K-Lock_231 - page K-Lock_232

THESE PRODUCTS CONTRIBUTE TO LEED® CREDITS

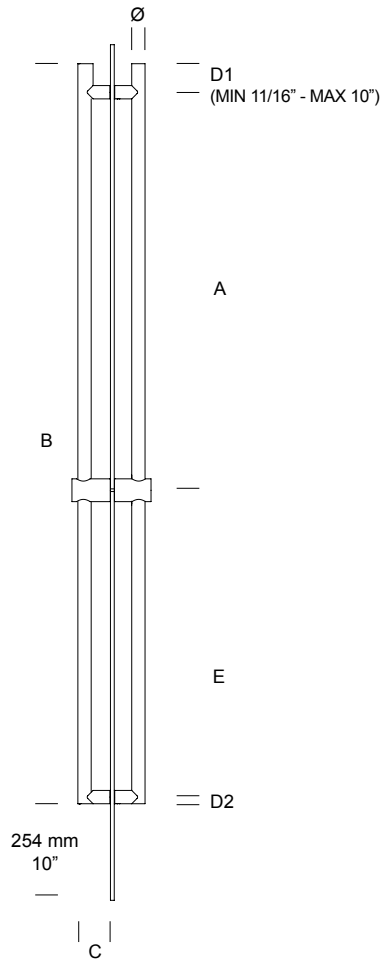
THE MANUFACTURER RESERVES THE RIGHT TO ALTER, IMPROVE AND DISCONTINUE ANY FEATURES OF THE PRODUCT (MAKE CHANGES AND IMPROVEMENTS IN DESIGNS AND DIMENSIONS) WITHOUT NOTICE.

ALL DIMENSIONS IN THE CATALOG DRAWINGS ARE APPROXIMATIONS. REQUEST THE APPROPRIATE TECHNICAL DRAWING BEFORE DOOR PREPARATION AND INSTALLATION.



NON LOCKING TO MATCH PULL ON
page K-Lock_83

NON LOCKING
FULL SIZE



ADA
10"
clearance
Layout

BACK TO BACK FIXING KIT
ALWAYS INCLUDED
SUITABLE FOR GLASS /
WOOD / METAL DOOR

PAIR

PAIR	ITEM	A	B	C	D1	D2	E	Ø
	KLO.0G4.00RM. xx	1050 mm 41 11/32"	1945 mm 76 9/16"	80 mm 3 1/8"	75 mm 2 15/16"	17,5 mm 11/16"	802 mm 31 9/16"	35 mm 1 3/8"
	KLO.0G4.RM72. xx	custom	1828 mm 72"	80 mm 3 1/8"	custom	17,5 mm 11/16"	custom	35 mm 1 3/8"
	KLO.0G4.99RM. xx	custom	custom	80 mm 3 1/8"	75 mm 2 15/16"	17,5 mm 11/16"	802 mm 31 9/16"	35 mm 1 3/8"

.XX = FINISH CODE

STAINLESS STEEL

- .43 BRIGHT STAINLESS STEEL (ANSI/BHMA 629 - USD32)
- .44 SATIN STAINLESS STEEL (ANSI/BHMA 630 - USD32D)

STAINLESS STEEL POWDER-COATED ON REQUEST

- .40 BLACK RAL 9005 MAT - TO MATCH WITH PBA BLACK ALUMINUM
- .26 BLACK RAL 9005 GLOSSY
- .31 WHITE RAL 9010
- .32 GREY
- .38 CHAMPAGNE
- .39 BRONZE - TO MATCH WITH PBA BRONZE ALUMINUM
- .36 ARCHITECTURAL BRONZE
- .56 MEDIUM BRONZE
- .41 SILVER
- .55 GOLD

- .99 COLOURS ON REQUEST TO MATCH ANY RAL #
(screws, grub screws and plastic parts non powdercoated)
available on request depending on quantities

EDGE COMPONENT:

BLACK FOR DARK COLOR POWDER
GREY FOR LIGHT COLOR POWDER AND STAINLESS STEEL

DOOR PREPARATION DP1
page K-Lock_234

SPACERS FOR DOUBLE GLAZED DOOR
KLO.KIT.99M4
page K-Lock_231 - page K-Lock_232

THESE PRODUCTS CONTRIBUTE TO **LEED®** CREDITS

THE MANUFACTURER RESERVES THE RIGHT TO ALTER, IMPROVE AND DISCONTINUE ANY FEATURES OF THE PRODUCT (MAKE CHANGES AND IMPROVEMENTS IN DESIGNS AND DIMENSIONS) WITHOUT NOTICE.

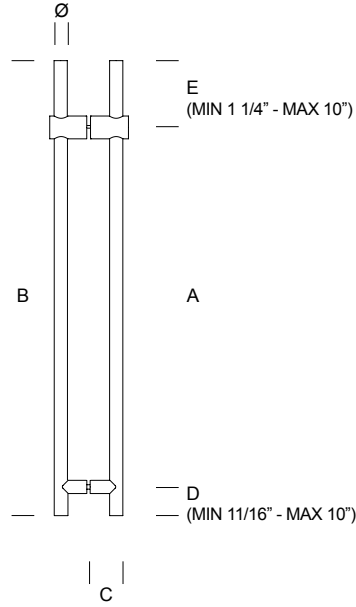
ALL DIMENSIONS IN THE CATALOG DRAWINGS ARE APPROXIMATIONS. REQUEST THE APPROPRIATE TECHNICAL DRAWING BEFORE DOOR PREPARATION AND INSTALLATION.



Declare.

NON LOCKING TO MATCH PULL ON
page K-Lock_84

NON LOCKING
HALF SIZE



BACK TO BACK FIXING KIT
ALWAYS INCLUDED
SUITABLE FOR GLASS /
WOOD / METAL DOOR

PAIR

PAIR	ITEM	A	B	C	D	E	Ø
	KLO.0G2.000M.xx	1000 mm 39 3/8"	1250 mm 49 1/4"	80 mm 3 1/8"	75 mm 2 15/16"	175 mm 6 7/8"	35 mm 1 3/8"
	KLO.0G2.0M48.xx	custom	1219 mm 48"	80 mm 3 1/8"	custom	custom	35 mm 1 3/8"
	KLO.0G2.0M60.xx	custom	1524 mm 60"	80 mm 3 1/8"	custom	custom	35 mm 1 3/8"
	KLO.0G2.999M.xx	custom	custom	80 mm 3 1/8"	custom	custom	35 mm 1 3/8"

.XX = FINISH CODE

STAINLESS STEEL

- .43 BRIGHT STAINLESS STEEL (ANSI/BHMA 629 - USD32)
- .44 SATIN STAINLESS STEEL (ANSI/BHMA 630 - USD32D)

STAINLESS STEEL POWDER-COATED ON REQUEST

- .40 BLACK RAL 9005 MAT - TO MATCH WITH PBA BLACK ALUMINUM
- .26 BLACK RAL 9005 GLOSSY
- .31 WHITE RAL 9010
- .32 GREY
- .38 CHAMPAGNE
- .39 BRONZE - TO MATCH WITH PBA BRONZE ALUMINUM
- .36 ARCHITECTURAL BRONZE
- .56 MEDIUM BRONZE
- .41 SILVER
- .55 GOLD

- .99 COLOURS ON REQUEST TO MATCH ANY RAL #
(screws, grub screws and plastic parts non powdercoated)
available on request depending on quantities

EDGE COMPONENT:

BLACK FOR DARK COLOR POWDER
GREY FOR LIGHT COLOR POWDER AND STAINLESS STEEL

DOOR PREPARATION DP2
page K-Lock_235

SPACERS FOR DOUBLE GLAZED DOOR
KLO.KIT.99M2
page K-Lock_231 - page K-Lock_232

THESE PRODUCTS CONTRIBUTE TO **LEED®** CREDITS

THE MANUFACTURER RESERVES THE RIGHT TO ALTER, IMPROVE AND DISCONTINUE ANY FEATURES OF THE PRODUCT (MAKE CHANGES AND IMPROVEMENTS IN DESIGNS AND DIMENSIONS) WITHOUT NOTICE.

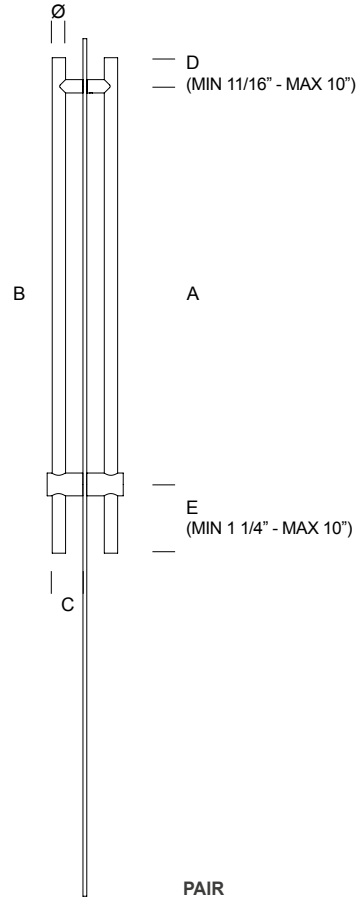
ALL DIMENSIONS IN THE CATALOG DRAWINGS ARE APPROXIMATIONS. REQUEST THE APPROPRIATE TECHNICAL DRAWING BEFORE DOOR PREPARATION AND INSTALLATION.



Declare.

NON LOCKING TO MATCH PULL ON
page K-Lock_85

NON LOCKING
HALF SIZE



ADA
10"
clearance
Layout

BACK TO BACK FIXING KIT
ALWAYS INCLUDED
SUITABLE FOR GLASS /
WOOD / METAL DOOR

PAIR	ITEM	A	B	C	D	E	Ø
	KLO.0G2.00RM. xx	1050 mm 41 11/32"	1300 mm 51 3/16"	80 mm 3 1/8"	75 mm 2 15/16"	175 mm 6 7/8"	35 mm 1 3/8"
	KLO.0G2.RM48. xx	custom	1219 mm 48"	80 mm 3 1/8"	custom	custom	35 mm 1 3/8"
	KLO.0G2.RM60. xx	custom	1524 mm 60"	80 mm 3 1/8"	custom	custom	35 mm 1 3/8"
	KLO.0G2.RM72. xx	custom	1828 mm 72"	80 mm 3 1/8"	custom	custom	35 mm 1 3/8"
	KLO.0G2.99RM. xx	custom	custom	80 mm 3 1/8"	custom	custom	35 mm 1 3/8"

.XX = FINISH CODE

STAINLESS STEEL

- .43 BRIGHT STAINLESS STEEL (ANSI/BHMA 629 - USD32)
- .44 SATIN STAINLESS STEEL (ANSI/BHMA 630 - USD32D)

STAINLESS STEEL POWDER-COATED ON REQUEST

- .40 BLACK RAL 9005 MAT - TO MATCH WITH PBA BLACK ALUMINUM
- .26 BLACK RAL 9005 GLOSSY
- .31 WHITE RAL 9010
- .32 GREY
- .38 CHAMPAGNE
- .39 BRONZE - TO MATCH WITH PBA BRONZE ALUMINUM
- .36 ARCHITECTURAL BRONZE
- .56 MEDIUM BRONZE
- .41 SILVER
- .55 GOLD

- .99 COLOURS ON REQUEST TO MATCH ANY RAL #
(screws, grub screws and plastic parts non powdercoated)
available on request depending on quantities

EDGE COMPONENT:

- BLACK FOR DARK COLOR POWDER
- GREY FOR LIGHT COLOR POWDER AND STAINLESS STEEL

DOOR PREPARATION DP3
page K-Lock_236

SPACERS FOR DOUBLE GLAZED DOOR
KLO.KIT.9RM2
page K-Lock_231- page K-Lock_232

THESE PRODUCTS CONTRIBUTE TO LEED® CREDITS

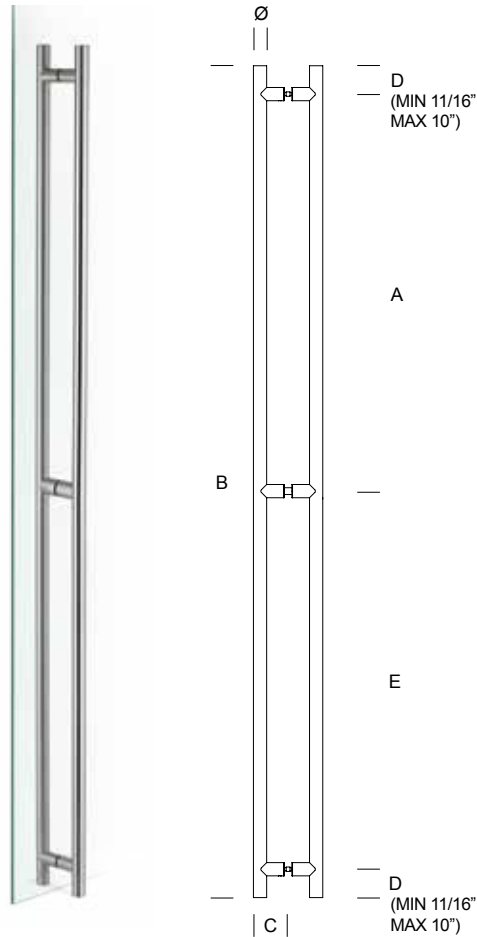
THE MANUFACTURER RESERVES THE RIGHT TO ALTER, IMPROVE AND DISCONTINUE ANY FEATURES OF THE PRODUCT (MAKE CHANGES AND IMPROVEMENTS IN DESIGNS AND DIMENSIONS) WITHOUT NOTICE.

ALL DIMENSIONS IN THE CATALOG DRAWINGS ARE APPROXIMATIONS. REQUEST THE APPROPRIATE TECHNICAL DRAWING BEFORE DOOR PREPARATION AND INSTALLATION.



NON LOCKING TO MATCH PULL ON
page K-Lock_86

UNIVERSAL
NON LOCKING
FULL SIZE



PAIR

ITEM	A	B	C	D	E	Ø
KLO.0G4.0000 .xx	1050 mm 41 11/32"	2200 mm 86 5/8"	80 mm 3 1/8"	75 mm 2 15/16"	1000 mm 39 3/8"	35 mm 1 3/8"
KLO.0G4.0072 .xx	custom	1828 mm 72"	80 mm 3 1/8"	custom	custom	35 mm 1 3/8"
KLO.0G4.0084 .xx	custom	2133 mm 84"	80 mm 3 1/8"	custom	custom	35 mm 1 3/8"
KLO.0G4.9999 .xx	custom	custom	80 mm 3 1/8"	custom	custom	35 mm 1 3/8"

.XX = FINISH CODE

STAINLESS STEEL

- .43 BRIGHT STAINLESS STEEL (ANSI/BHMA 629 - USD32)
- .44 SATIN STAINLESS STEEL (ANSI/BHMA 630 - USD32D)

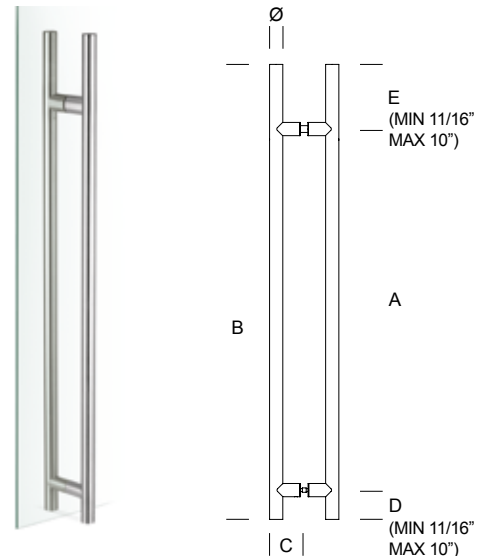
STAINLESS STEEL POWDER-COATED ON REQUEST

- .40 BLACK RAL 9005 MAT - TO MATCH WITH PBA BLACK ALUMINUM
- .26 BLACK RAL 9005 GLOSSY
- .31 WHITE RAL 9010
- .32 GREY
- .38 CHAMPAGNE
- .39 BRONZE - TO MATCH WITH PBA BRONZE ALUMINUM
- .36 ARCHITECTURAL BRONZE
- .56 MEDIUM BRONZE
- .41 SILVER
- .55 GOLD

- .99 COLOURS ON REQUEST TO MATCH ANY RAL # (screws, grub screws and plastic parts non powdercoated) available on request depending on quantities

EDGE COMPONENT:
BLACK FOR DARK COLOR POWDER
GREY FOR LIGHT COLOR POWDER AND
STAINLESS STEEL

UNIVERSAL
NON LOCKING
HALF SIZE



PAIR

ITEM	A	B	C	D	E	Ø
KLO.0G2.0000 .xx	1000 mm 39 3/8"	1250 mm 49 1/4"	80 mm 3 1/8"	75 mm 2 15/16"	175 mm 6 7/8"	35 mm 1 3/8"
KLO.0G2.0048 .xx	custom	1219 mm 48"	80 mm 3 1/8"	custom	custom	35 mm 1 3/8"
KLO.0G2.0060 .xx	custom	1524 mm 60"	80 mm 3 1/8"	custom	custom	35 mm 1 3/8"
KLO.0G2.9999 .xx	custom	custom	80 mm 3 1/8"	custom	custom	35 mm 1 3/8"

DOOR PREPARATION:

- DP4 (UNIVERSAL NO LOCKING FULL SIZE)
- DP5 (UNIVERSAL NO LOCKING HALF SIZE)

page K-Lock_237 - page K-Lock_238

SPACERS FOR DOUBLE GLAZED DOOR

- 2CC.KIT.0010 (UNIVERSAL NO LOCKING FULL SIZE)
- 2CC.KIT.0009 (UNIVERSAL NO LOCKING HALF SIZE)

page K-Lock_231 - page K-Lock_232

BACK TO BACK FIXING KIT ALWAYS INCLUDED

SUITABLE FOR GLASS / WOOD / METAL DOOR

THESE PRODUCTS CONTRIBUTE TO LEED® CREDITS

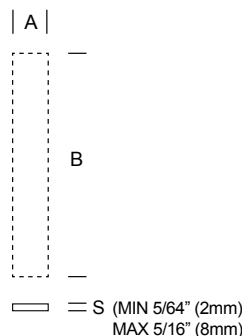
THE MANUFACTURER RESERVES THE RIGHT TO ALTER, IMPROVE AND DISCONTINUE ANY FEATURES OF THE PRODUCT (MAKE CHANGES AND IMPROVEMENTS IN DESIGNS AND DIMENSIONS) WITHOUT NOTICE.

ALL DIMENSIONS IN THE CATALOG DRAWINGS ARE APPROXIMATIONS. REQUEST THE APPROPRIATE TECHNICAL DRAWING BEFORE DOOR PREPARATION AND INSTALLATION.



STAINLESS STEEL PLATE / PLAQUE ON REQUEST - PLACCA / PIASTRA A MISURA IN ACCIAIO INOX

ITEM	A	B	S
2MM.PLA.9999 .xx	custom	custom	custom



AVAILABLE WITH HOLES FOR FIXING WITH SCREWS OR WITHOUT HOLES FOR GLUING. FIXINGS NOT INCLUDED

DISPONIBILE CON FORI PER FISSAGGIO CON VITI O SENZA FORI PER INCOLLAGGIO. FISSAGGI NON INCLUSI.

.XX = FINISH CODE

STAINLESS STEEL

- .43 BRIGHT STAINLESS STEEL (ANSI/BHMA 629 - USD32)
- .44 SATIN STAINLESS STEEL (ANSI/BHMA 630 - USD32D)

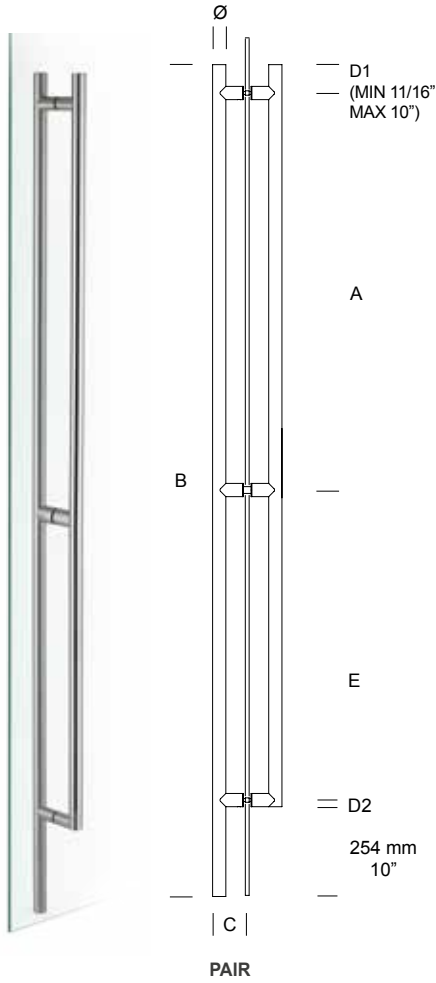
STAINLESS STEEL POWDER-COATED ON REQUEST

- .40 BLACK RAL 9005 MAT - TO MATCH WITH PBA BLACK ALUMINUM
- .26 BLACK RAL 9005 GLOSSY
- .31 WHITE RAL 9010
- .32 GREY
- .38 CHAMPAGNE
- .39 BRONZE - TO MATCH WITH PBA BRONZE ALUMINUM
- .36 ARCHITECTURAL BRONZE
- .56 MEDIUM BRONZE
- .41 SILVER
- .55 GOLD

- .99 COLOURS ON REQUEST TO MATCH ANY RAL # (screws, grub screws and plastic parts non powdercoated) available on request depending on quantities

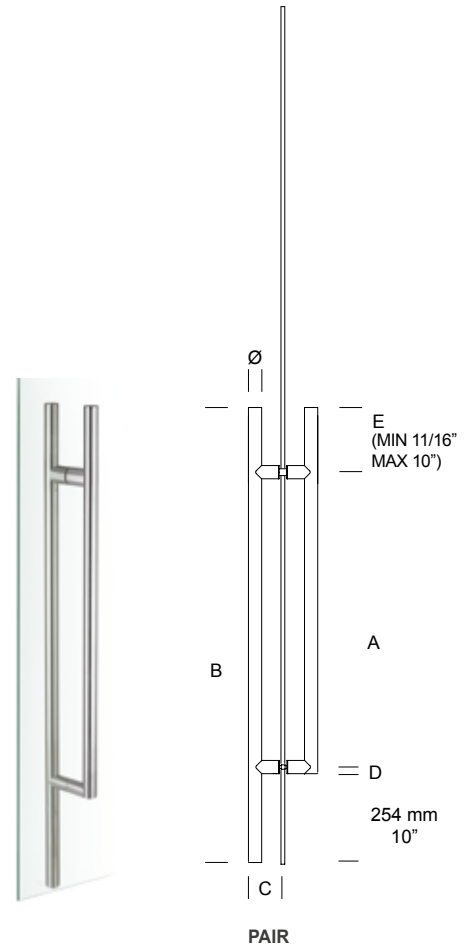
UNIVERSAL
NON LOCKING
FULL SIZE

ADA
10"
clearance
Layout



UNIVERSAL
NON LOCKING
HALF SIZE

ADA
10"
clearance
Layout



ITEM	A	B	C	D1-D2	E	Ø
KLO.0G4.999T. xx PAIR	custom	custom	80 mm 3 1/8"	custom	custom	35 mm 1 3/8"

ITEM	A	B	C	D	E	Ø
KLO.0G2.999T PAIR	custom	custom	80 mm 3 1/8"	17,5 mm 11/16"	custom	35 mm 1 3/8"

.XX = FINISH CODE

STAINLESS STEEL

- .43 BRIGHT STAINLESS STEEL (ANSI/BHMA 629 - USD32)
- .44 SATIN STAINLESS STEEL (ANSI/BHMA 630 - USD32D)

STAINLESS STEEL POWDER-COATED ON REQUEST

- .40 BLACK RAL 9005 MAT - TO MATCH WITH PBA BLACK ALUMINUM
- .26 BLACK RAL 9005 GLOSSY
- .31 WHITE RAL 9010
- .32 GREY
- .38 CHAMPAGNE
- .39 BRONZE - TO MATCH WITH PBA BRONZE ALUMINUM
- .36 ARCHITECTURAL BRONZE
- .56 MEDIUM BRONZE
- .41 SILVER
- .55 GOLD

- .99 COLOURS ON REQUEST TO MATCH ANY RAL #
(screws, grub screws and plastic parts non powdercoated)
available on request depending on quantities

EDGE COMPONENT:

BLACK FOR DARK COLOR POWDER
GREY FOR LIGHT COLOR POWDER AND STAINLESS STEEL

DOOR PREPARATION:

- DP4 (UNIVERSAL NO LOCKING FULL SIZE)
- DP5 (UNIVERSAL NO LOCKING HALF SIZE)

page K-Lock_237 - page K-Lock_238

SPACERS FOR DOUBLE GLAZED DOOR

- 2CC.KIT.0010 (UNIVERSAL NO LOCKING FULL SIZE)
- 2CC.KIT.0009 (UNIVERSAL NO LOCKING HALF SIZE)

page K-Lock_231 - page K-Lock_232

BACK TO BACK FIXING KIT ALWAYS INCLUDED
SUITABLE FOR GLASS / WOOD / METAL DOOR

THESE PRODUCTS CONTRIBUTE TO LEED® CREDITS

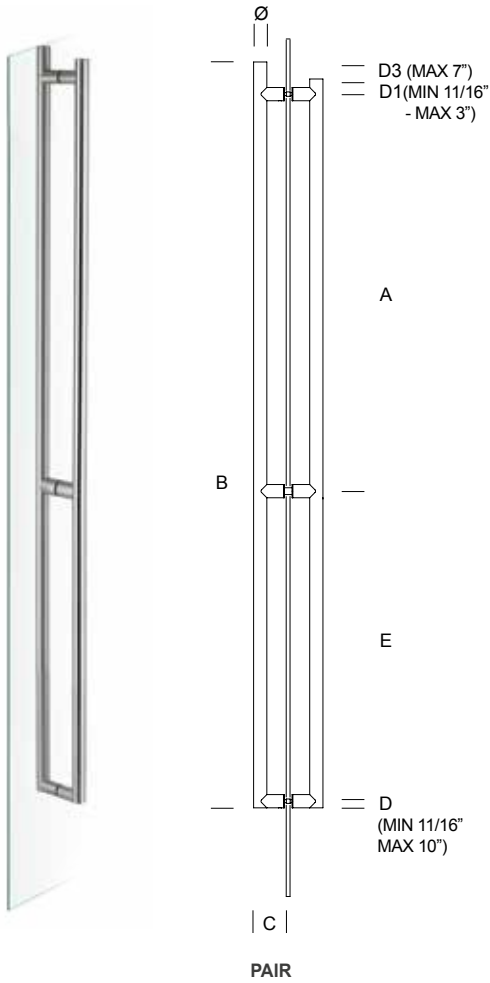
THE MANUFACTURER RESERVES THE RIGHT TO ALTER, IMPROVE AND DISCONTINUE ANY FEATURES OF THE PRODUCT (MAKE CHANGES AND IMPROVEMENTS IN DESIGNS AND DIMENSIONS) WITHOUT NOTICE.

ALL DIMENSIONS IN THE CATALOG DRAWINGS ARE APPROXIMATIONS. REQUEST THE APPROPRIATE TECHNICAL DRAWING BEFORE DOOR PREPARATION AND INSTALLATION.



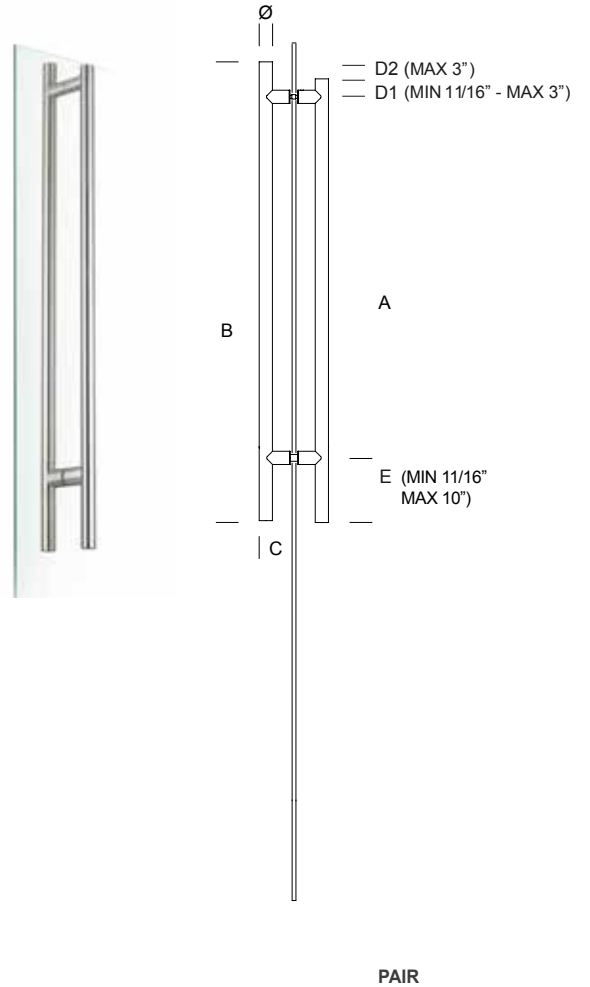
UNIVERSAL
NON LOCKING
FULL SIZE

ADA
10"
clearance
Layout



UNIVERSAL
NON LOCKING
HALF SIZE

ADA
10"
clearance
Layout



ITEM	A	B	C	D-D2-D3	E	Ø
KLO.0G4.999Z. xx	custom	custom	80 mm 3 1/8"	custom	custom	35 mm 1 3/8"
PAIR						

ITEM	A	B	C	D	E	Ø
KLO.0G2.999Z. xx	custom	custom	80 mm 3 1/8"	custom	custom	35 mm 1 3/8"
PAIR						

.XX = FINISH CODE

STAINLESS STEEL

- .43 BRIGHT STAINLESS STEEL (ANSI/BHMA 629 - USD32)
- .44 SATIN STAINLESS STEEL (ANSI/BHMA 630 - USD32D)

STAINLESS STEEL POWDER-COATED ON REQUEST

- .40 BLACK RAL 9005 MAT - TO MATCH WITH PBA BLACK ALUMINUM
- .26 BLACK RAL 9005 GLOSSY
- .31 WHITE RAL 9010
- .32 GREY
- .38 CHAMPAGNE
- .39 BRONZE - TO MATCH WITH PBA BRONZE ALUMINUM
- .36 ARCHITECTURAL BRONZE
- .56 MEDIUM BRONZE
- .41 SILVER
- .55 GOLD

- .99 COLOURS ON REQUEST TO MATCH ANY RAL #
(screws, grub screws and plastic parts non powdercoated)
available on request depending on quantities

EDGE COMPONENT:

BLACK FOR DARK COLOR POWDER
GREY FOR LIGHT COLOR POWDER AND STAINLESS STEEL

DOOR PREPARATION:

- DP4 (UNIVERSAL NO LOCKING FULL SIZE)
- DP5 (UNIVERSAL NO LOCKING HALF SIZE)

page K-Lock_237 - page K-Lock_238

SPACERS FOR DOUBLE GLAZED DOOR

- 2CC.KIT.0010 (UNIVERSAL NO LOCKING FULL SIZE)
- 2CC.KIT.0009 (UNIVERSAL NO LOCKING HALF SIZE)

page K-Lock_231 - page K-Lock_232

BACK TO BACK FIXING KIT ALWAYS INCLUDED
SUITABLE FOR GLASS / WOOD / METAL DOOR

THESE PRODUCTS CONTRIBUTE TO LEED® CREDITS

THE MANUFACTURER RESERVES THE RIGHT TO ALTER,
IMPROVE AND DISCONTINUE ANY FEATURES OF THE PRODUCT
(MAKE CHANGES AND IMPROVEMENTS IN DESIGNS AND
DIMENSIONS) WITHOUT NOTICE.

ALL DIMENSIONS IN THE CATALOG DRAWINGS ARE APPROXIMATIONS.
REQUEST THE APPROPRIATE TECHNICAL DRAWING BEFORE DOOR
PREPARATION AND INSTALLATION.



PROGRAMMA K-LOCK KLR
LEAN

PBA
PATENTED
SYSTEM

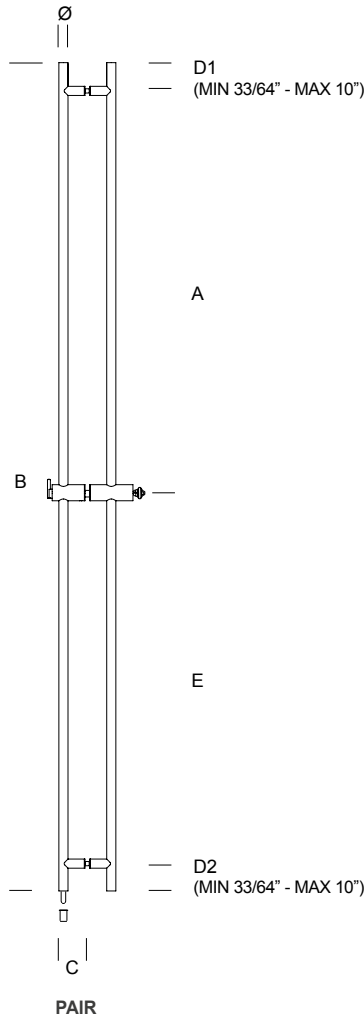


SUPPORTO
POST



CILINDRO PROFILO AMERICANO RIM
AMERICAN RIM CYLINDER

LOCKING
FULL SIZE



P B A
P A T E N T E D
S Y S T E M

PATENT
102019000012465

CYLINDER NOT INCLUDED



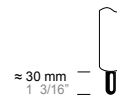
RIM CYLINDER
WITH IC



RIM CYLINDER



ADA COMPLIANT
THUMBTURN



ADJUSTABLE STEEL
DEAD BOLT



DUST-FREE
FLOOR SOCKET

BRAND OF COMPATIBLE RIM CYLINDER:

- ARROW
- CORBIN RUSSWIN
- MEDECO
- SCHLAGE
- BEST
- KABALCO
- SARGENT
- YALE

	ITEM	A	B	C	D1	D2	E	Ø
PAIR BOTTOM LOCKING	KLR.004.000U. xx	1050 mm 41 11/32"	2200 mm 86 5/8"	72 mm 2 27/32"	75 mm 2 15/16"	75 mm 2 15/16"	1000 mm 39 3/8"	25 mm 1"
	KLR.004.0U72. xx	custom	1828 mm 72"	72 mm 2 27/32"	custom	custom	custom	25 mm 1"
	KLR.004.0U84. xx	custom	2133 mm 84"	72 mm 2 27/32"	custom	custom	custom	25 mm 1"
	KLR.004.999U. xx	custom	custom	72 mm 2 27/32"	custom	custom	custom	25 mm 1"
PAIR TOP/BOTTOM LOCKING	KLR.006.000U. xx	1050 mm 41 11/32"	2200 mm 86 5/8"	72 mm 2 27/32"	75 mm 2 15/16"	75 mm 2 15/16"	1000 mm 39 3/8"	25 mm 1"
	KLR.006.999U. xx	custom	custom	72 mm 2 27/32"	custom	custom	custom	25 mm 1"

.XX = FINISH CODE

STAINLESS STEEL

- .43 BRIGHT STAINLESS STEEL (ANSI/BHMA 629 - USD32)
- .44 SATIN STAINLESS STEEL (ANSI/BHMA 630 - USD32D)

STAINLESS STEEL POWDER-COATED ON REQUEST

- .40 BLACK RAL 9005 MAT - TO MATCH WITH PBA BLACK ALUMINUM
- .26 BLACK RAL 9005 GLOSSY
- .31 WHITE RAL 9010
- .32 GREY
- .38 CHAMPAGNE
- .39 BRONZE - TO MATCH WITH PBA BRONZE ALUMINUM
- .36 ARCHITECTURAL BRONZE
- .56 MEDIUM BRONZE
- .41 SILVER
- .55 GOLD

- .99 COLOURS ON REQUEST TO MATCH ANY RAL #
(screws, grub screws and plastic parts non powdercoated)
available on request depending on quantities

EDGE COMPONENT:

BLACK FOR DARK COLOR POWDER
GREY FOR LIGHT COLOR POWDER AND STAINLESS STEEL

DOOR PREPARATION DP1
page K-Lock_234

SPACERS FOR DOUBLE GLAZED DOOR
KLR.KIT.99U4
page K-Lock_231 - page K-Lock_232

STRIKE DETAILS
page K-Lock_228

THESE PRODUCTS CONTRIBUTE TO LEED® CREDITS

THE MANUFACTURER RESERVES THE RIGHT TO ALTER,
IMPROVE AND DISCONTINUE ANY FEATURES OF THE PRODUCT
(MAKE CHANGES AND IMPROVEMENTS IN DESIGNS AND
DIMENSIONS) WITHOUT NOTICE.

ALL DIMENSIONS IN THE CATALOG DRAWINGS ARE APPROXIMATIONS.
REQUEST THE APPROPRIATE TECHNICAL DRAWING BEFORE DOOR
PREPARATION AND INSTALLATION.



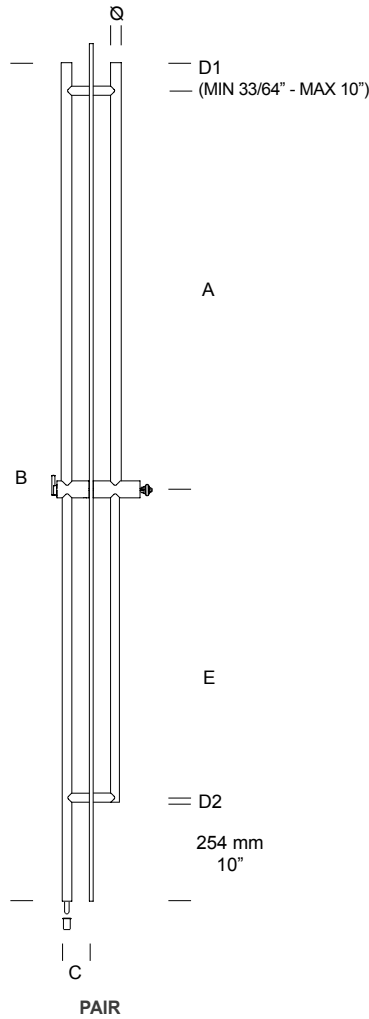
Declare.

COMBINED NON LOCKING
page K-Lock_101

ITEM
KLR.0G4.000U
KLR.0G4.999U
KLR.0G4.0U72
KLR.0G4.0U84



LOCKING
FULL SIZE

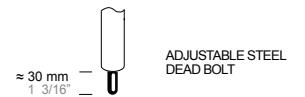


ADA
10"
clearance
layout

PBA
PATENTED
SYSTEM

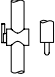

PATENT
102019000012465

CYLINDER NOT INCLUDED



BRAND OF COMPATIBLE RIM CYLINDER:

- ARROW
- CORBIN RUSSWIN
- MEDECO
- SCHLAGE
- BEST
- KABAILCO
- SARGENT
- YALE

	ITEM	A	B	C	D1	D2	E	Ø
PAIR	 KLR.004.00TU. xx	1050 mm 41 11/32"	2200 mm 86 5/8"	72 mm 2 27/32"	75 mm 2 15/16"	13 mm 33/64"	807 mm 31 25/32"	25 mm 1"
BOTTOM LOCKING	 KLO.004.TU72. xx	custom	1828 mm 72"	80 mm 3 1/8"	custom	13 mm 33/64"	custom	25 mm 1"
	KLO.004.TU84. xx	custom	2133 mm 84"	80 mm 3 1/8"	custom	13 mm 33/64"	custom	25 mm 1"
	KLR.004.99TU. xx	custom	custom	72 mm 2 27/32"	custom	13 mm 33/64"	custom	25 mm 1"

.XX = FINISH CODE

STAINLESS STEEL

- .43 BRIGHT STAINLESS STEEL (ANSI/BHMA 629 - USD32)
- .44 SATIN STAINLESS STEEL (ANSI/BHMA 630 - USD32D)

STAINLESS STEEL POWDER-COATED ON REQUEST

- .40 BLACK RAL 9005 MAT - TO MATCH WITH PBA BLACK ALUMINUM
- .26 BLACK RAL 9005 GLOSSY
- .31 WHITE RAL 9010
- .32 GREY
- .38 CHAMPAGNE
- .39 BRONZE - TO MATCH WITH PBA BRONZE ALUMINUM
- .36 ARCHITECTURAL BRONZE
- .56 MEDIUM BRONZE
- .41 SILVER
- .55 GOLD

- .99 COLOURS ON REQUEST TO MATCH ANY RAL #
(screws, grub screws and plastic parts non powdercoated)
available on request depending on quantities

EDGE COMPONENT:

BLACK FOR DARK COLOR POWDER
GREY FOR LIGHT COLOR POWDER AND STAINLESS STEEL

DOOR PREPARATION DP1
page K-Lock_234

SPACERS FOR DOUBLE GLAZED DOOR
KLR.KIT.99U4
page K-Lock_231 - page K-Lock_232

THESE PRODUCTS CONTRIBUTE TO **LEED®** CREDITS

THE MANUFACTURER RESERVES THE RIGHT TO ALTER, IMPROVE AND DISCONTINUE ANY FEATURES OF THE PRODUCT (MAKE CHANGES AND IMPROVEMENTS IN DESIGNS AND DIMENSIONS) WITHOUT NOTICE.

ALL DIMENSIONS IN THE CATALOG DRAWINGS ARE APPROXIMATIONS. REQUEST THE APPROPRIATE TECHNICAL DRAWING BEFORE DOOR PREPARATION AND INSTALLATION.

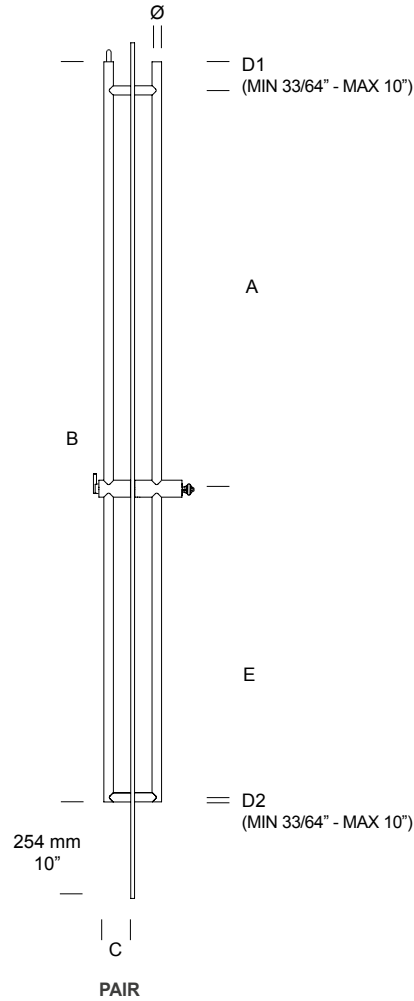


COMBINED NON LOCKING
page K-Lock_102

ITEM
KLR.0G4.00TU
KLR.0G4.99TU
KLR.0G4.TU72
KLR.0G4.TU84



LOCKING
FULL SIZE



ADA
10"
clearance
layout

**PBA
PATENTED
SYSTEM**

PATENT
102019000012465

CYLINDER NOT INCLUDED



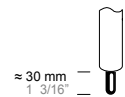
RIM CYLINDER
WITH IC



RIM CYLINDER



ADA COMPLIANT
THUMBTURN



ADJUSTABLE STEEL
DEAD BOLT



DUST-FREE
FLOOR SOCKET

BRAND OF COMPATIBLE RIM CYLINDER:

- ARROW
- CORBIN RUSSWIN
- MEDECO
- SCHLAGE
- BEST
- KABAILCO
- SARGENT
- YALE

PAIR
TOP
LOCKING



ITEM	A	B	C	D1	D2	E	Ø
KLR.004.00RU. xx	1050 mm 41 11/32"	1945 mm 76 9/16"	72 mm 2 27/32"	75 mm 2 15/16"	13 mm 33/64"	807 mm 31 25/32"	25 mm 1"
KLR.004.RU72. xx	custom	1828 mm 72"	72 mm 2 27/32"	custom	custom	custom	25 mm 1"
KLR.004.99RU. xx	custom	custom	72 mm 2 27/32"	custom	custom	custom	25 mm 1"

.XX = FINISH CODE

STAINLESS STEEL

- .43 BRIGHT STAINLESS STEEL (ANSI/BHMA 629 - USD32)
- .44 SATIN STAINLESS STEEL (ANSI/BHMA 630 - USD32D)

STAINLESS STEEL POWDER-COATED ON REQUEST

- .40 BLACK RAL 9005 MAT - TO MATCH WITH PBA BLACK ALUMINUM
- .26 BLACK RAL 9005 GLOSSY
- .31 WHITE RAL 9010
- .32 GREY
- .38 CHAMPAGNE
- .39 BRONZE - TO MATCH WITH PBA BRONZE ALUMINUM
- .36 ARCHITECTURAL BRONZE
- .56 MEDIUM BRONZE
- .41 SILVER
- .55 GOLD

- .99 COLOURS ON REQUEST TO MATCH ANY RAL #
(screws, grub screws and plastic parts non powdercoated)
available on request depending on quantities

EDGE COMPONENT:

BLACK FOR DARK COLOR POWDER
GREY FOR LIGHT COLOR POWDER AND STAINLESS STEEL

DOOR PREPARATION DP1
page K-Lock_234

SPACERS FOR DOUBLE GLAZED DOOR
KLR.KIT.99U4
page K-Lock_231 - page K-Lock_232

STRIKE DETAILS
page K-Lock_228

THESE PRODUCTS CONTRIBUTE TO **LEED®** CREDITS

THE MANUFACTURER RESERVES THE RIGHT TO ALTER, IMPROVE AND DISCONTINUE ANY FEATURES OF THE PRODUCT (MAKE CHANGES AND IMPROVEMENTS IN DESIGNS AND DIMENSIONS) WITHOUT NOTICE.

ALL DIMENSIONS IN THE CATALOG DRAWINGS ARE APPROXIMATIONS. REQUEST THE APPROPRIATE TECHNICAL DRAWING BEFORE DOOR PREPARATION AND INSTALLATION.

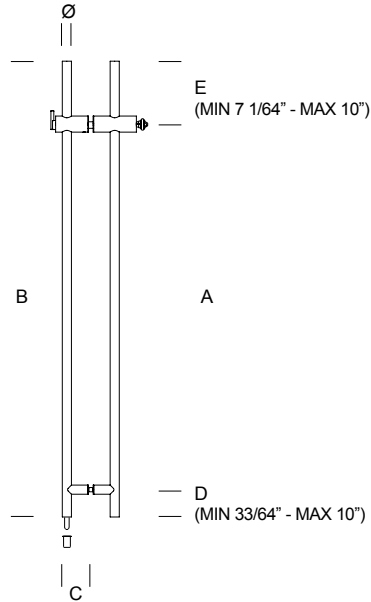


COMBINED NON LOCKING
page K-Lock_103

ITEM
KLR.0G4.00RU
KLR.0G4.99RU
KLR.0G4.RU72



LOCKING
HALF SIZE

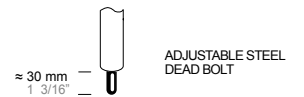


PAIR

PBA
PATENTED
SYSTEM

PATENT
102019000012465

CYLINDER NOT INCLUDED



BRAND OF COMPATIBLE RIM CYLINDER:

- ARROW
- CORBIN RUSSWIN
- MEDECO
- SCHLAGE
- BEST
- KABALCO
- SARGENT
- YALE

	ITEM	A	B	C	D	E	Ø
PAIR	KLR.002.000U. xx	1000 mm 39 3/8"	1260 mm 49 39/64"	72 mm 2 27/32"	75 mm 2 15/16"	185 mm 7 9/32"	25 mm 1"
BOTTOM LOCKING	KLR.002.0U48. xx	custom	1219 mm 48"	72 mm 2 27/32"	custom	custom	25 mm 1"
	KLR.002.0U60. xx	custom	1524 mm 60"	72 mm 2 27/32"	custom	custom	25 mm 1"
	KLR.002.999U. xx	custom	custom	72 mm 2 27/32"	custom	custom	25 mm 1"

.XX = FINISH CODE

STAINLESS STEEL

- .43 BRIGHT STAINLESS STEEL (ANSI/BHMA 629 - USD32)
- .44 SATIN STAINLESS STEEL (ANSI/BHMA 630 - USD32D)

STAINLESS STEEL POWDER-COATED ON REQUEST

- .40 BLACK RAL 9005 MAT - TO MATCH WITH PBA BLACK ALUMINUM
- .26 BLACK RAL 9005 GLOSSY
- .31 WHITE RAL 9010
- .32 GREY
- .38 CHAMPAGNE
- .39 BRONZE - TO MATCH WITH PBA BRONZE ALUMINUM
- .36 ARCHITECTURAL BRONZE
- .56 MEDIUM BRONZE
- .41 SILVER
- .55 GOLD

- .99 COLOURS ON REQUEST TO MATCH ANY RAL #
(screws, grub screws and plastic parts non powdercoated)
available on request depending on quantities

EDGE COMPONENT:

BLACK FOR DARK COLOR POWDER
GREY FOR LIGHT COLOR POWDER AND STAINLESS STEEL

DOOR PREPARATION DP2
page K-Lock_235

SPACERS FOR DOUBLE GLAZED DOOR
KLR.KIT.99U2
page K-Lock_231 - page K-Lock_232

THESE PRODUCTS CONTRIBUTE TO LEED® CREDITS

THE MANUFACTURER RESERVES THE RIGHT TO ALTER, IMPROVE AND DISCONTINUE ANY FEATURES OF THE PRODUCT (MAKE CHANGES AND IMPROVEMENTS IN DESIGNS AND DIMENSIONS) WITHOUT NOTICE.

ALL DIMENSIONS IN THE CATALOG DRAWINGS ARE APPROXIMATIONS. REQUEST THE APPROPRIATE TECHNICAL DRAWING BEFORE DOOR PREPARATION AND INSTALLATION.



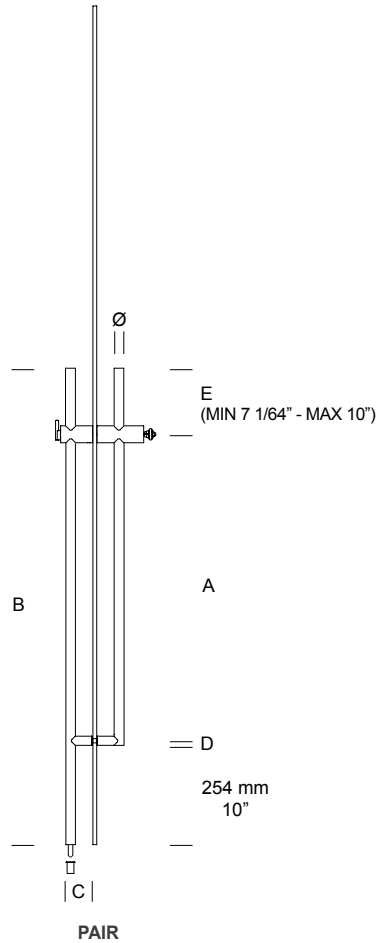
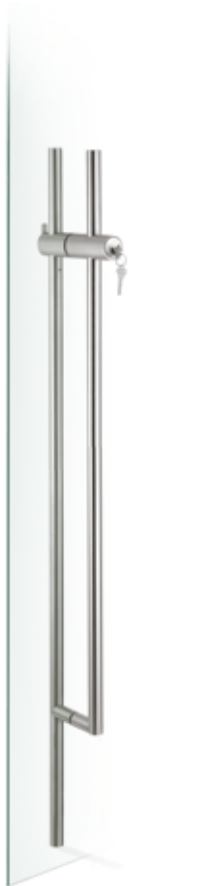
Declare.

COMBINED NON LOCKING
page K-Lock_104

ITEM
KLR.0G2.000U
KLR.0G2.999U
KLR.0G2.0U48
KLR.0G2.0U60



LOCKING
HALF SIZE



ADA
10"
clearance
layout

P B A
PATENTED
SYSTEM

PATENT
102019000012465

CYLINDER NOT INCLUDED



BRAND OF COMPATIBLE RIM CYLINDER:

- ARROW
- CORBIN RUSSWIN
- MEDECO
- SCHLAGE
- BEST
- KABAILCO
- SARGENT
- YALE

	ITEM	A	B	C	D	E	Ø
PAIR	KLR.002.00TU..xx	807 mm 31 25/32"	1260 mm 49 39/64"	72 mm 2 27/32"	13 mm 33/64"	185 mm 7 9/32"	25 mm 1"
BOTTOM LOCKING	KLR.002.TU48..xx	custom	1219 mm 48"	72 mm 2 27/32"	13 mm 33/64"	custom	25 mm 1"
	KLR.002.TU60..xx	custom	1524 mm 60"	72 mm 2 27/32"	13 mm 33/64"	custom	25 mm 1"
	KLR.002.99TU..xx	custom	custom	72 mm 2 27/32"	13 mm 33/64"	custom	25 mm 1"

.XX = FINISH CODE

STAINLESS STEEL

- .43 BRIGHT STAINLESS STEEL (ANSI/BHMA 629 - USD32)
- .44 SATIN STAINLESS STEEL (ANSI/BHMA 630 - USD32D)

STAINLESS STEEL POWDER-COATED ON REQUEST

- .40 BLACK RAL 9005 MAT - TO MATCH WITH PBA BLACK ALUMINUM
- .26 BLACK RAL 9005 GLOSSY
- .31 WHITE RAL 9010
- .32 GREY
- .38 CHAMPAGNE
- .39 BRONZE - TO MATCH WITH PBA BRONZE ALUMINUM
- .36 ARCHITECTURAL BRONZE
- .56 MEDIUM BRONZE
- .41 SILVER
- .55 GOLD

- .99 COLOURS ON REQUEST TO MATCH ANY RAL #
(screws, grub screws and plastic parts non powdercoated)
available on request depending on quantities

EDGE COMPONENT:

- BLACK FOR DARK COLOR POWDER
- GREY FOR LIGHT COLOR POWDER AND STAINLESS STEEL

DOOR PREPARATION DP2
page K-Lock_235

SPACERS FOR DOUBLE GLAZED DOOR
KLR.KIT.99U2
page K-Lock_231 - page K-Lock_232

THESE PRODUCTS CONTRIBUTE TO **LEED®** CREDITS

THE MANUFACTURER RESERVES THE RIGHT TO ALTER, IMPROVE AND DISCONTINUE ANY FEATURES OF THE PRODUCT (MAKE CHANGES AND IMPROVEMENTS IN DESIGNS AND DIMENSIONS) WITHOUT NOTICE.

ALL DIMENSIONS IN THE CATALOG DRAWINGS ARE APPROXIMATIONS. REQUEST THE APPROPRIATE TECHNICAL DRAWING BEFORE DOOR PREPARATION AND INSTALLATION.

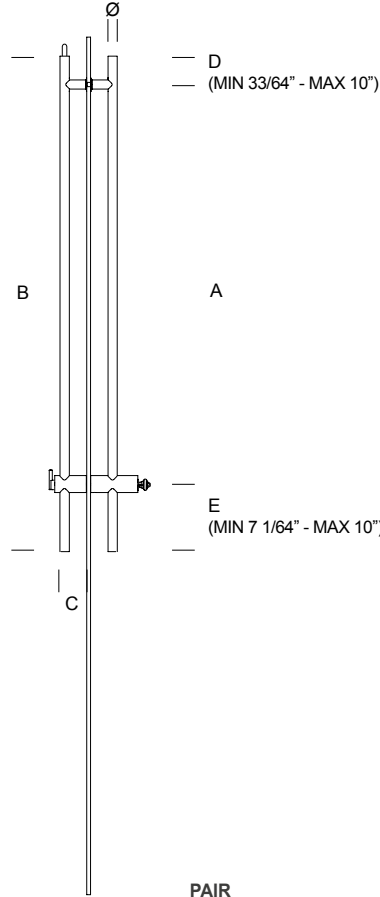


COMBINED NON LOCKING
page K-Lock_105

ITEM
KLR.0G2.00TU
KLR.0G2.99TU
KLR.0G2.TU48
KLR.0G2.TU60



LOCKING
HALF SIZE



ADA
10"
clearance
Layout



PATENT
10201900012465

CYLINDER NOT INCLUDED



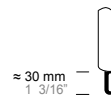
RIM CYLINDER
WITH IC



RIM CYLINDER



ADA COMPLIANT
THUMBTURN



ADJUSTABLE STEEL
DEAD BOLT



DUST-FREE
FLOOR SOCKET

BRAND OF COMPATIBLE RIM CYLINDER:

- ARROW
- CORBIN RUSSWIN
- MEDECO
- SCHLAGE
- BEST
- KABAILCO
- SARGENT
- YALE

	ITEM	A	B	C	D	E	Ø
PAIR	KLR.002.00RU. xx	1050 mm 41 11/32"	1260 mm 49 39/64"	72 mm 2 27/32"	75 mm 2 15/16"	185 mm 7 9/32"	25 mm 1"
TOP LOCKING	KLR.002.RU48. xx	custom	1219 mm 48"	72 mm 2 27/32"	custom	custom	25 mm 1"
	KLR.002.RU60. xx	custom	1524 mm 60"	72 mm 2 27/32"	custom	custom	25 mm 1"
	KLR.002.RU72. xx	custom	1828 mm 72"	72 mm 2 27/32"	custom	custom	25 mm 1"
	KLR.002.99RU. xx	custom	custom	72 mm 2 27/32"	custom	custom	25 mm 1"

.XX = FINISH CODE

STAINLESS STEEL

- .43 BRIGHT STAINLESS STEEL (ANSI/BHMA 629 - USD32)
- .44 SATIN STAINLESS STEEL (ANSI/BHMA 630 - USD32D)

STAINLESS STEEL POWDER-COATED ON REQUEST

- .40 BLACK RAL 9005 MAT - TO MATCH WITH PBA BLACK ALUMINUM
- .26 BLACK RAL 9005 GLOSSY
- .31 WHITE RAL 9010
- .32 GREY
- .38 CHAMPAGNE
- .39 BRONZE - TO MATCH WITH PBA BRONZE ALUMINUM
- .36 ARCHITECTURAL BRONZE
- .56 MEDIUM BRONZE
- .41 SILVER
- .55 GOLD

- .99 COLOURS ON REQUEST TO MATCH ANY RAL #
(screws, grub screws and plastic parts non powdercoated)
available on request depending on quantities

EDGE COMPONENT:

BLACK FOR DARK COLOR POWDER
GREY FOR LIGHT COLOR POWDER AND STAINLESS STEEL

DOOR PREPARATION DP3
page K-Lock_236

SPACERS FOR DOUBLE GLAZED DOOR
KLR.KIT.9RU2
page K-Lock_231 - page K-Lock_232

STRIKE DETAILS
page K-Lock_228

THESE PRODUCTS CONTRIBUTE TO LEED® CREDITS

THE MANUFACTURER RESERVES THE RIGHT TO ALTER, IMPROVE AND DISCONTINUE ANY FEATURES OF THE PRODUCT (MAKE CHANGES AND IMPROVEMENTS IN DESIGNS AND DIMENSIONS) WITHOUT NOTICE.

ALL DIMENSIONS IN THE CATALOG DRAWINGS ARE APPROXIMATIONS. REQUEST THE APPROPRIATE TECHNICAL DRAWING BEFORE DOOR PREPARATION AND INSTALLATION.



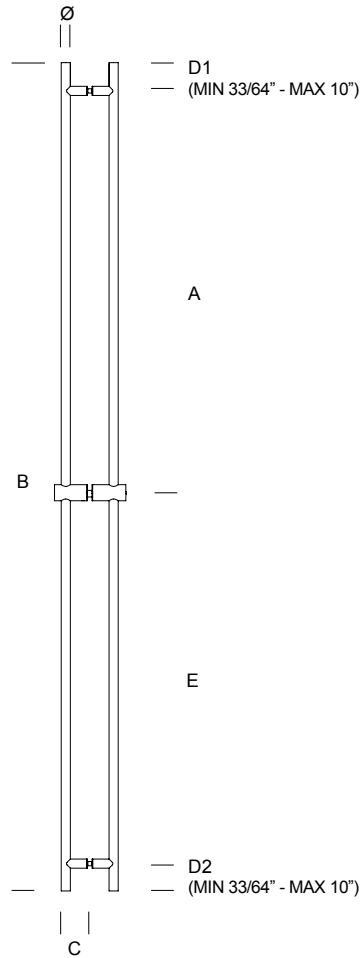
Declare.

COMBINED NON LOCKING
page K-Lock_106

ITEM
KLR.0G2.00RU
KLR.0G2.99RU
KLR.0G2.RU48
KLR.0G2.RU60
KLR.0G2.RU72



NON LOCKING
FULL SIZE



BACK TO BACK FIXING KIT
ALWAYS INCLUDED
SUITABLE FOR GLASS /
WOOD / METAL DOOR

PAIR	ITEM	A	B	C	D1	D2	E	\emptyset
	KLR.0G4.000U. xx	1050 mm 41 11/32"	2200 mm 86 5/8"	72 mm 2 27/32"	75 mm 2 15/16"	75 mm 2 15/16"	1000 mm 39 3/8"	25 mm 1"
	KLR.0G4.0U72. xx	custom	1828 mm 72"	72 mm 2 27/32"	custom	custom	custom	25 mm 1"
	KLR.0G4.0U84. xx	custom	2133 mm 84"	72 mm 2 27/32"	custom	custom	custom	25 mm 1"
	KLR.0G4.999U. xx	custom	custom	72 mm 2 27/32"	custom	custom	custom	25 mm 1"

.XX = FINISH CODE

STAINLESS STEEL

- .43 BRIGHT STAINLESS STEEL (ANSI/BHMA 629 - USD32)
- .44 SATIN STAINLESS STEEL (ANSI/BHMA 630 - USD32D)

STAINLESS STEEL POWDER-COATED ON REQUEST

- .40 BLACK RAL 9005 MAT - TO MATCH WITH PBA BLACK ALUMINUM
- .26 BLACK RAL 9005 GLOSSY
- .31 WHITE RAL 9010
- .32 GREY
- .38 CHAMPAGNE
- .39 BRONZE - TO MATCH WITH PBA BRONZE ALUMINUM
- .36 ARCHITECTURAL BRONZE
- .56 MEDIUM BRONZE
- .41 SILVER
- .55 GOLD

- .99 COLOURS ON REQUEST TO MATCH ANY RAL #
(screws, grub screws and plastic parts non powdercoated)
available on request depending on quantities

EDGE COMPONENT:

- BLACK FOR DARK COLOR POWDER
- GREY FOR LIGHT COLOR POWDER AND STAINLESS STEEL

DOOR PREPARATION DP1
page K-Lock_234

SPACERS FOR DOUBLE GLAZED DOOR
KLR.KIT.99U4
page K-Lock_231 - page K-Lock_232

THESE PRODUCTS CONTRIBUTE TO LEED® CREDITS

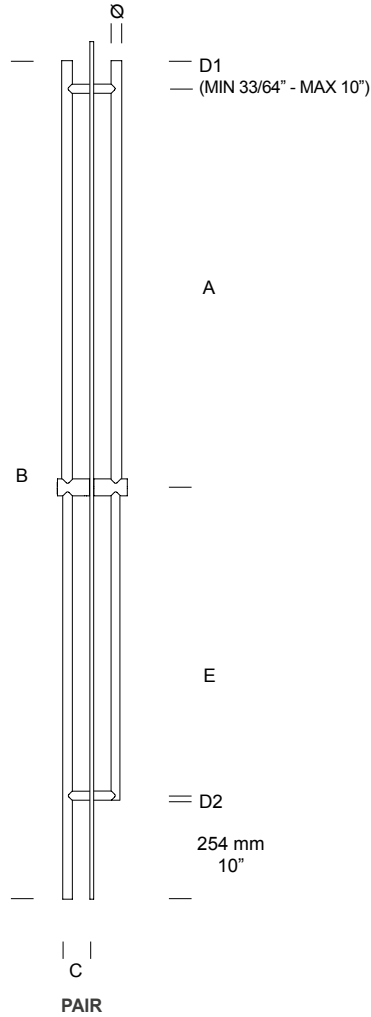
THE MANUFACTURER RESERVES THE RIGHT TO ALTER, IMPROVE AND DISCONTINUE ANY FEATURES OF THE PRODUCT (MAKE CHANGES AND IMPROVEMENTS IN DESIGNS AND DIMENSIONS) WITHOUT NOTICE.

ALL DIMENSIONS IN THE CATALOG DRAWINGS ARE APPROXIMATIONS. REQUEST THE APPROPRIATE TECHNICAL DRAWING BEFORE DOOR PREPARATION AND INSTALLATION.



NON LOCKING TO MATCH PULL ON
page K-Lock_95

NON LOCKING
FULL SIZE



ADA
10"
clearance
Layout

BACK TO BACK FIXING KIT
ALWAYS INCLUDED
SUITABLE FOR GLASS /
WOOD / METAL DOOR

PAIR	ITEM	A	B	C	D1	D2	E	Ø
	KLR.0G4.00TU. xx	1050 mm 41 11/32"	2200 mm 86 5/8"	72 mm 2 27/32"	75 mm 2 15/16"	13 mm 33/64"	807 mm 31 25/32"	25 mm 1"
	KLO.0G4.TU72. xx	custom	1828 mm 72"	72 mm 2 27/32"	custom	13 mm 33/64"	custom	25 mm 1"
	KLO.0G4.TU84. xx	custom	2133 mm 84"	72 mm 2 27/32"	custom	13 mm 33/64"	custom	25 mm 1"
	KLR.0G4.99TU. xx	custom	custom	72 mm 2 27/32"	custom	13 mm 33/64"	custom	25 mm 1"

.XX = FINISH CODE

STAINLESS STEEL

- .43 BRIGHT STAINLESS STEEL (ANSI/BHMA 629 - USD32)
- .44 SATIN STAINLESS STEEL (ANSI/BHMA 630 - USD32D)

STAINLESS STEEL POWDER-COATED ON REQUEST

- .40 BLACK RAL 9005 MAT - TO MATCH WITH PBA BLACK ALUMINUM
- .26 BLACK RAL 9005 GLOSSY
- .31 WHITE RAL 9010
- .32 GREY
- .38 CHAMPAGNE
- .39 BRONZE - TO MATCH WITH PBA BRONZE ALUMINUM
- .36 ARCHITECTURAL BRONZE
- .56 MEDIUM BRONZE
- .41 SILVER
- .55 GOLD

- .99 COLOURS ON REQUEST TO MATCH ANY RAL #
(screws, grub screws and plastic parts non powdercoated)
available on request depending on quantities

EDGE COMPONENT:

BLACK FOR DARK COLOR POWDER
GREY FOR LIGHT COLOR POWDER AND STAINLESS STEEL

DOOR PREPARATION DP1
page K-Lock_234

SPACERS FOR DOUBLE GLAZED DOOR
KLR.KIT.99U4
page K-Lock_231 - page K-Lock_232

THESE PRODUCTS CONTRIBUTE TO LEED® CREDITS

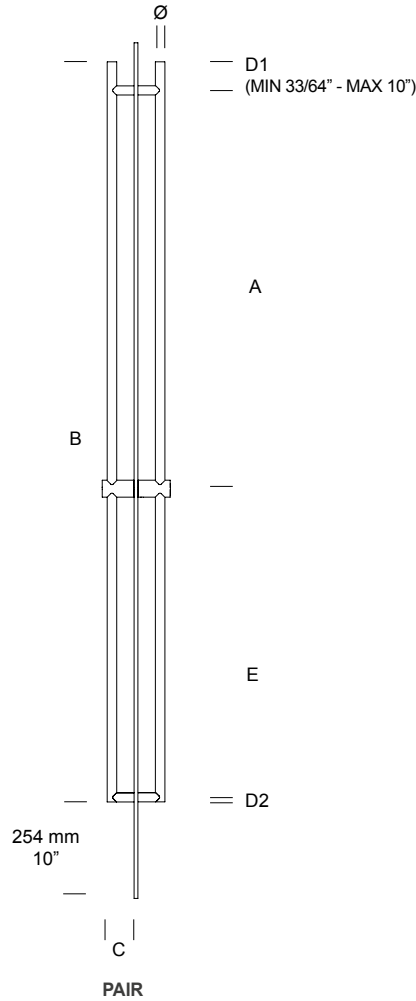
THE MANUFACTURER RESERVES THE RIGHT TO ALTER, IMPROVE AND DISCONTINUE ANY FEATURES OF THE PRODUCT (MAKE CHANGES AND IMPROVEMENTS IN DESIGNS AND DIMENSIONS) WITHOUT NOTICE.

ALL DIMENSIONS IN THE CATALOG DRAWINGS ARE APPROXIMATIONS. REQUEST THE APPROPRIATE TECHNICAL DRAWING BEFORE DOOR PREPARATION AND INSTALLATION.



NON LOCKING TO MATCH PULL ON
page K-Lock_96

NON LOCKING
FULL SIZE



ADA
10"
clearance
Layout

BACK TO BACK FIXING KIT
ALWAYS INCLUDED
SUITABLE FOR GLASS /
WOOD / METAL DOOR

PAIR	ITEM	A	B	C	D1	D2	E	Ø
	KLR.0G4.00RU. xx	1050 mm 41 11/32"	1945 mm 76 9/16"	72 mm 2 27/32"	75 mm 2 15/16"	13 mm 33/64"	807 mm 31 25/32"	25 mm 1"
	KLR.0G4.RU72. xx	custom	1828 mm 72"	72 mm 2 27/32"	custom	13 mm 33/64"	custom	25 mm 1"
	KLR.0G4.99RU. xx	custom	custom	72 mm 2 27/32"	custom	13 mm 33/64"	custom	25 mm 1"

.XX = FINISH CODE

STAINLESS STEEL

- .43 BRIGHT STAINLESS STEEL (ANSI/BHMA 629 - USD32)
- .44 SATIN STAINLESS STEEL (ANSI/BHMA 630 - USD32D)

STAINLESS STEEL POWDER-COATED ON REQUEST

- .40 BLACK RAL 9005 MAT - TO MATCH WITH PBA BLACK ALUMINUM
- .26 BLACK RAL 9005 GLOSSY
- .31 WHITE RAL 9010
- .32 GREY
- .38 CHAMPAGNE
- .39 BRONZE - TO MATCH WITH PBA BRONZE ALUMINUM
- .36 ARCHITECTURAL BRONZE
- .56 MEDIUM BRONZE
- .41 SILVER
- .55 GOLD

- .99 COLOURS ON REQUEST TO MATCH ANY RAL #
(screws, grub screws and plastic parts non powdercoated)
available on request depending on quantities

EDGE COMPONENT:

- BLACK FOR DARK COLOR POWDER
- GREY FOR LIGHT COLOR POWDER AND STAINLESS STEEL

DOOR PREPARATION DP1
page K-Lock_234

SPACERS FOR DOUBLE GLAZED DOOR
KLR.KIT.99U4
page K-Lock_231 - page K-Lock_232

THESE PRODUCTS CONTRIBUTE TO LEED® CREDITS

THE MANUFACTURER RESERVES THE RIGHT TO ALTER, IMPROVE AND DISCONTINUE ANY FEATURES OF THE PRODUCT (MAKE CHANGES AND IMPROVEMENTS IN DESIGNS AND DIMENSIONS) WITHOUT NOTICE.

ALL DIMENSIONS IN THE CATALOG DRAWINGS ARE APPROXIMATIONS. REQUEST THE APPROPRIATE TECHNICAL DRAWING BEFORE DOOR PREPARATION AND INSTALLATION.



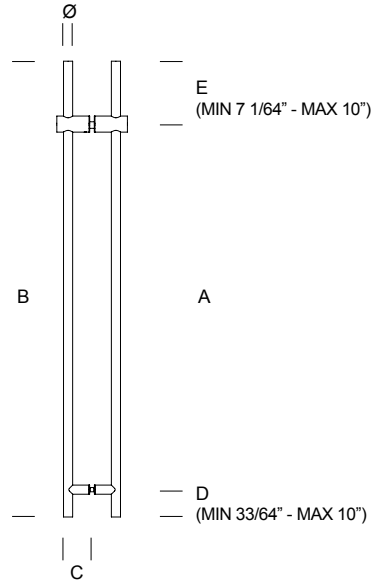
Declare

NON LOCKING TO MATCH PULL ON
page K-Lock_97

NON LOCKING
HALF SIZE



BACK TO BACK FIXING KIT
ALWAYS INCLUDED
SUITABLE FOR GLASS /
WOOD / METAL DOOR



PAIR

PAIR	ITEM	A	B	C	D	E	Ø
	KLR.0G2.000U . xx	1000 mm 39 3/8"	1260 mm 49 39/64"	72 mm 2 27/32"	75 mm 2 15/16"	185 mm 7 9/32"	25 mm 1"
	KLR.0G2.0U48 . xx	custom	1219 mm 48"	72 mm 2 27/32"	custom	custom	25 mm 1"
	KLR.0G2.0U60 . xx	custom	1524 mm 60"	72 mm 2 27/32"	custom	custom	25 mm 1"
	KLR.0G2.999U . xx	custom	custom	72 mm 2 27/32"	custom	custom	25 mm 1"

.XX = FINISH CODE

STAINLESS STEEL

- .43 BRIGHT STAINLESS STEEL (ANSI/BHMA 629 - USD32)
- .44 SATIN STAINLESS STEEL (ANSI/BHMA 630 - USD32D)

STAINLESS STEEL POWDER-COATED ON REQUEST

- .40 BLACK RAL 9005 MAT - TO MATCH WITH PBA BLACK ALUMINUM
- .26 BLACK RAL 9005 GLOSSY
- .31 WHITE RAL 9010
- .32 GREY
- .38 CHAMPAGNE
- .39 BRONZE - TO MATCH WITH PBA BRONZE ALUMINUM
- .36 ARCHITECTURAL BRONZE
- .56 MEDIUM BRONZE
- .41 SILVER
- .55 GOLD

- .99 COLOURS ON REQUEST TO MATCH ANY RAL #
(screws, grub screws and plastic parts non powdercoated)
available on request depending on quantities

EDGE COMPONENT:

- BLACK FOR DARK COLOR POWDER
- GREY FOR LIGHT COLOR POWDER AND STAINLESS STEEL

DOOR PREPARATION DP2
page K-Lock_235

SPACERS FOR DOUBLE GLAZED DOOR
KLR.KIT.99U2
page K-Lock_231 - page K-Lock_232

THESE PRODUCTS CONTRIBUTE TO **LEED®** CREDITS

THE MANUFACTURER RESERVES THE RIGHT TO ALTER, IMPROVE AND DISCONTINUE ANY FEATURES OF THE PRODUCT (MAKE CHANGES AND IMPROVEMENTS IN DESIGNS AND DIMENSIONS) WITHOUT NOTICE.

ALL DIMENSIONS IN THE CATALOG DRAWINGS ARE APPROXIMATIONS. REQUEST THE APPROPRIATE TECHNICAL DRAWING BEFORE DOOR PREPARATION AND INSTALLATION.



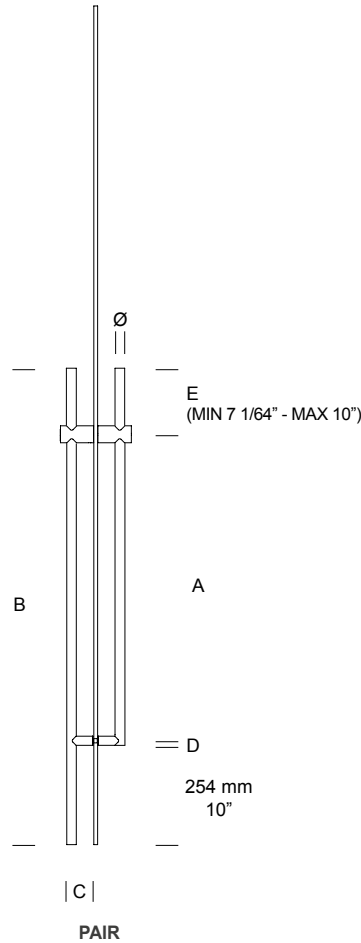
NON LOCKING TO MATCH PULL ON
page K-Lock_98

NON LOCKING
HALF SIZE



ADA
10"
clearance
l a y o u t

BACK TO BACK FIXING KIT
ALWAYS INCLUDED
SUITABLE FOR GLASS /
WOOD / METAL DOOR



PAIR	ITEM	A	B	C	D	E	Ø
	KLR.0G2.00TU. xx	807 mm 31 25/32"	1260 mm 49 39/64"	72 mm 2 27/32"	13 mm 33/64"	185 mm 7 9/32"	25 mm 1"
	KLR.0G2.TU48. xx	custom	1219 mm 48"	72 mm 2 27/32"	13 mm 33/64"	custom	25 mm 1"
	KLR.0G2.TU60. xx	custom	1524 mm 60"	72 mm 2 27/32"	13 mm 33/64"	custom	25 mm 1"
	KLR.0G2.99TU. xx	custom	custom	72 mm 2 27/32"	13 mm 33/64"	custom	25 mm 1"

.XX = FINISH CODE

STAINLESS STEEL

- .43 BRIGHT STAINLESS STEEL (ANSI/BHMA 629 - USD32)
- .44 SATIN STAINLESS STEEL (ANSI/BHMA 630 - USD32D)

STAINLESS STEEL POWDER-COATED ON REQUEST

- .40 BLACK RAL 9005 MAT - TO MATCH WITH PBA BLACK ALUMINUM
- .26 BLACK RAL 9005 GLOSSY
- .31 WHITE RAL 9010
- .32 GREY
- .38 CHAMPAGNE
- .39 BRONZE - TO MATCH WITH PBA BRONZE ALUMINUM
- .36 ARCHITECTURAL BRONZE
- .56 MEDIUM BRONZE
- .41 SILVER
- .55 GOLD

- .99 COLOURS ON REQUEST TO MATCH ANY RAL #
(screws, grub screws and plastic parts non powdercoated)
available on request depending on quantities

EDGE COMPONENT:

- BLACK FOR DARK COLOR POWDER
- GREY FOR LIGHT COLOR POWDER AND STAINLESS STEEL

DOOR PREPARATION DP2
page K-Lock_235

SPACERS FOR DOUBLE GLAZED DOOR
KLR.KIT.99U2
page K-Lock_231 - page K-Lock_232

THESE PRODUCTS CONTRIBUTE TO **LEED®** CREDITS

THE MANUFACTURER RESERVES THE RIGHT TO ALTER, IMPROVE AND DISCONTINUE ANY FEATURES OF THE PRODUCT (MAKE CHANGES AND IMPROVEMENTS IN DESIGNS AND DIMENSIONS) WITHOUT NOTICE.

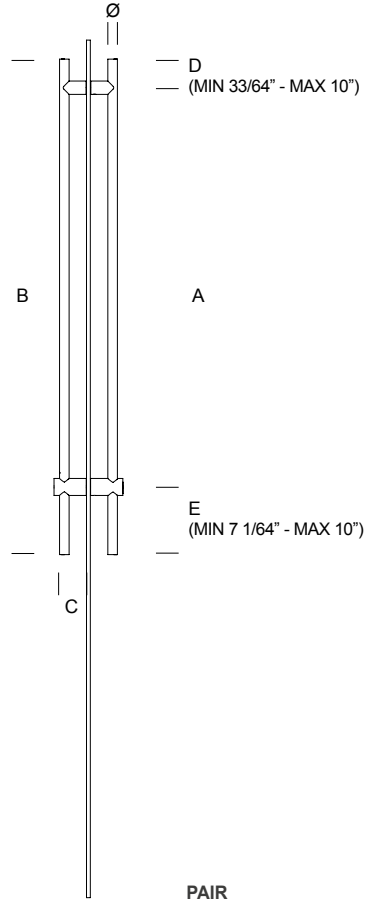
ALL DIMENSIONS IN THE CATALOG DRAWINGS ARE APPROXIMATIONS. REQUEST THE APPROPRIATE TECHNICAL DRAWING BEFORE DOOR PREPARATION AND INSTALLATION.



Declare.

NON LOCKING TO MATCH PULL ON
page K-Lock_99

NON LOCKING
HALF SIZE



ADA
10"
clearance
Layout

BACK TO BACK FIXING KIT
ALWAYS INCLUDED
SUITABLE FOR GLASS /
WOOD / METAL DOOR

PAIR	ITEM	A	B	C	D	E	Ø
	KLR.0G2.00RU. xx	1050 mm 41 11/32"	1260 mm 49 39/64"	72 mm 2 27/32"	75 mm 2 15/16"	185 mm 7 9/32"	25 mm 1"
	KLR.0G2.RU48. xx	custom	1219 mm 48"	72 mm 2 27/32"	custom	custom	25 mm 1"
	KLR.0G2.RU60. xx	custom	1524 mm 60"	72 mm 2 27/32"	custom	custom	25 mm 1"
	KLR.0G2.RU72. xx	custom	1828 mm 72"	72 mm 2 27/32"	custom	custom	25 mm 1"
	KLR.0G2.99RU. xx	custom	custom	72 mm 2 27/32"	custom	custom	25 mm 1"

.XX = FINISH CODE

STAINLESS STEEL

- .43 BRIGHT STAINLESS STEEL (ANSI/BHMA 629 - USD32)
- .44 SATIN STAINLESS STEEL (ANSI/BHMA 630 - USD32D)

STAINLESS STEEL POWDER-COATED ON REQUEST

- .40 BLACK RAL 9005 MAT - TO MATCH WITH PBA BLACK ALUMINUM
- .26 BLACK RAL 9005 GLOSSY
- .31 WHITE RAL 9010
- .32 GREY
- .38 CHAMPAGNE
- .39 BRONZE - TO MATCH WITH PBA BRONZE ALUMINUM
- .36 ARCHITECTURAL BRONZE
- .56 MEDIUM BRONZE
- .41 SILVER
- .55 GOLD

- .99 COLOURS ON REQUEST TO MATCH ANY RAL #
(screws, grub screws and plastic parts non powdercoated)
available on request depending on quantities

EDGE COMPONENT:

- BLACK FOR DARK COLOR POWDER
- GREY FOR LIGHT COLOR POWDER AND STAINLESS STEEL

DOOR PREPARATION DP3

page K-Lock_236

SPACERS FOR DOUBLE GLAZED DOOR

KLR.KIT.9RU2

page K-Lock_231- page K-Lock_232

THESE PRODUCTS CONTRIBUTE TO LEED® CREDITS

THE MANUFACTURER RESERVES THE RIGHT TO ALTER, IMPROVE AND DISCONTINUE ANY FEATURES OF THE PRODUCT (MAKE CHANGES AND IMPROVEMENTS IN DESIGNS AND DIMENSIONS) WITHOUT NOTICE.

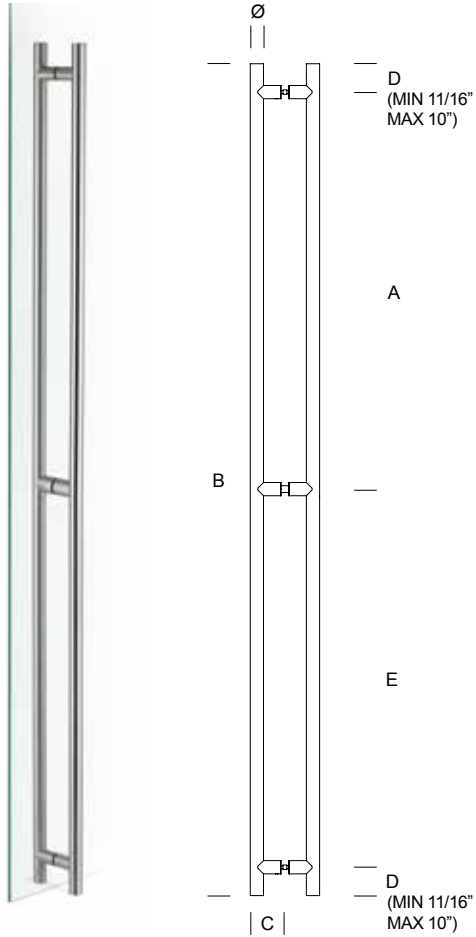
ALL DIMENSIONS IN THE CATALOG DRAWINGS ARE APPROXIMATIONS. REQUEST THE APPROPRIATE TECHNICAL DRAWING BEFORE DOOR PREPARATION AND INSTALLATION.



Declare.

NON LOCKING TO MATCH PULL ON
page K-Lock_100

**UNIVERSAL
NON LOCKING
FULL SIZE**



PAIR

ITEM	A	B	C	D	E	Ø
KLR.0G4.0000 .xx	1050 mm 41 11/32"	2200 mm 86 5/8"	80 mm 3 1/8"	75 mm 2 15/16"	1000 mm 39 3/8"	25 mm 1"
KLR.0G4.0072 .xx	custom	1828 mm 72"	80 mm 3 1/8"	custom	custom	25 mm 1"
KLR.0G4.0084 .xx	custom	2133 mm 84"	80 mm 3 1/8"	custom	custom	25 mm 1"
KLR.0G4.9999 .xx	custom	custom	80 mm 3 1/8"	custom	custom	25 mm 1"

.XX = FINISH CODE

STAINLESS STEEL

- .43 BRIGHT STAINLESS STEEL (ANSI/BHMA 629 - USD32)
- .44 SATIN STAINLESS STEEL (ANSI/BHMA 630 - USD32D)

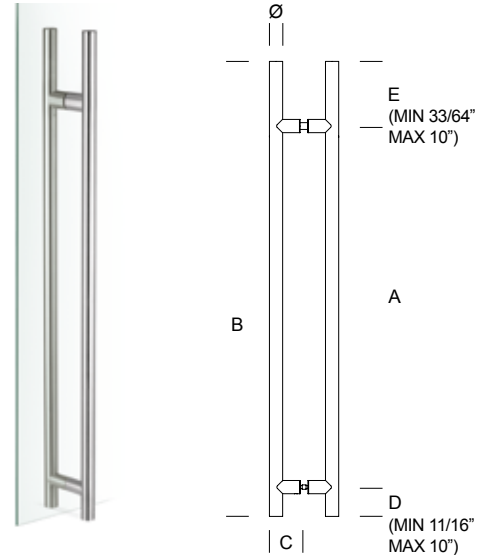
STAINLESS STEEL POWDER-COATED ON REQUEST

- .40 BLACK RAL 9005 MAT - TO MATCH WITH PBA BLACK ALUMINUM
- .26 BLACK RAL 9005 GLOSSY
- .31 WHITE RAL 9010
- .32 GREY
- .38 CHAMPAGNE
- .39 BRONZE - TO MATCH WITH PBA BRONZE ALUMINUM
- .36 ARCHITECTURAL BRONZE
- .56 MEDIUM BRONZE
- .41 SILVER
- .55 GOLD

- .99 COLOURS ON REQUEST TO MATCH ANY RAL #
(screws, grub screws and plastic parts non powdercoated)
available on request depending on quantities

EDGE COMPONENT:
BLACK FOR DARK COLOR POWDER
GREY FOR LIGHT COLOR POWDER AND
STAINLESS STEEL

**UNIVERSAL
NON LOCKING
HALF SIZE**



PAIR

ITEM	A	B	C	D	E	Ø
KLR.0G2.0000 .xx	1000 mm 39 3/8"	1250 mm 49 1/4"	80 mm 3 1/8"	75 mm 2 15/16"	175 mm 6 7/8"	25 mm 1"
KLR.0G2.0048 .xx	custom	1219 mm 48"	80 mm 3 1/8"	custom	custom	25 mm 1"
KLR.0G2.0060 .xx	custom	1524 mm 60"	80 mm 3 1/8"	custom	custom	25 mm 1"
KLR.0G2.9999 .xx	custom	custom	80 mm 3 1/8"	custom	custom	25 mm 1"

DOOR PREPARATION:

- DP4 (UNIVERSAL NO LOCKING FULL SIZE)
 - DP5 (UNIVERSAL NO LOCKING HALF SIZE)
- page K-Lock_237 - page K-Lock_238

SPACERS FOR DOUBLE GLAZED DOOR

- 2CC.KIT.0010 (UNIVERSAL NO LOCKING FULL SIZE)
 - 2CC.KIT.0009 (UNIVERSAL NO LOCKING HALF SIZE)
- page K-Lock_231 - page K-Lock_232

BACK TO BACK FIXING KIT ALWAYS INCLUDED
SUITABLE FOR GLASS / WOOD / METAL DOOR

THESE PRODUCTS CONTRIBUTE TO **LEED®** CREDITS

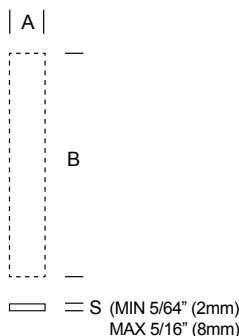
THE MANUFACTURER RESERVES THE RIGHT TO ALTER, IMPROVE AND DISCONTINUE ANY FEATURES OF THE PRODUCT (MAKE CHANGES AND IMPROVEMENTS IN DESIGNS AND DIMENSIONS) WITHOUT NOTICE.

ALL DIMENSIONS IN THE CATALOG DRAWINGS ARE APPROXIMATIONS. REQUEST THE APPROPRIATE TECHNICAL DRAWING BEFORE DOOR PREPARATION AND INSTALLATION.



STAINLESS STEEL PLATE / PLAQUE ON REQUEST - PLACCA / PIASTRA A MISURA IN ACCIAIO INOX

ITEM	A	B	S
2MM.PLA.9999 .xx	custom	custom	custom



AVAILABLE WITH HOLES FOR FIXING WITH SCREWS OR WITHOUT HOLES FOR GLUING.
FIXINGS NOT INCLUDED

DISPONIBILE CON FORI PER FISSAGGIO CON VITI O SENZA FORI PER INCOLLAGGIO.
FISSAGGI NON INCLUSI.

.XX = FINISH CODE

STAINLESS STEEL

- .43 BRIGHT STAINLESS STEEL (ANSI/BHMA 629 - USD32)
- .44 SATIN STAINLESS STEEL (ANSI/BHMA 630 - USD32D)

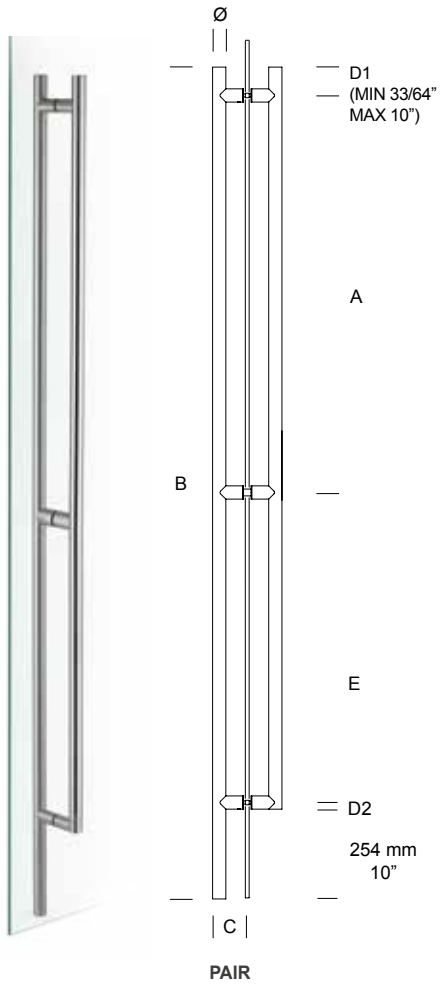
STAINLESS STEEL POWDER-COATED ON REQUEST

- .40 BLACK RAL 9005 MAT - TO MATCH WITH PBA BLACK ALUMINUM
- .26 BLACK RAL 9005 GLOSSY
- .31 WHITE RAL 9010
- .32 GREY
- .38 CHAMPAGNE
- .39 BRONZE - TO MATCH WITH PBA BRONZE ALUMINUM
- .36 ARCHITECTURAL BRONZE
- .56 MEDIUM BRONZE
- .41 SILVER
- .55 GOLD

- .99 COLOURS ON REQUEST TO MATCH ANY RAL # (screws, grub screws and plastic parts non powdercoated) available on request depending on quantities

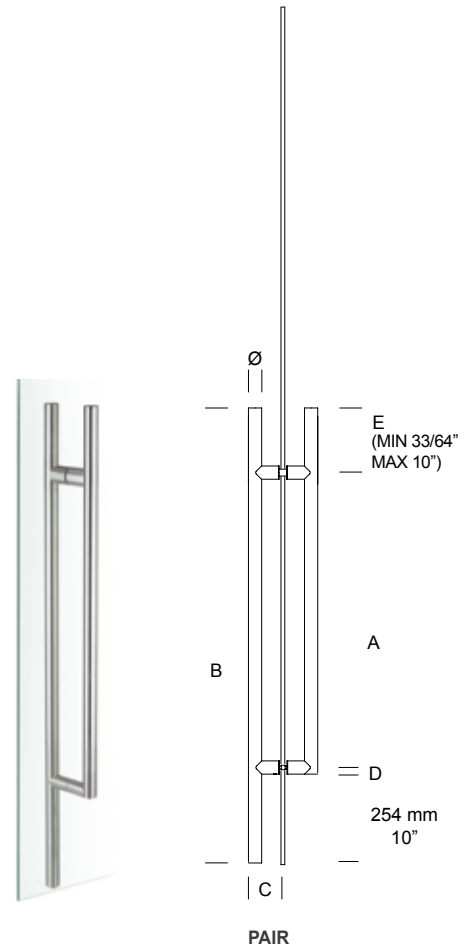
UNIVERSAL
NON LOCKING
FULL SIZE

ADA
10"
clearance
Layout



UNIVERSAL
NON LOCKING
HALF SIZE

ADA
10"
clearance
Layout



ITEM	A	B	C	D1-D2	E	Ø
KLR.0G4.999T.xx PAIR	custom	custom	72 mm 2 27/32"	custom	custom	25 mm 1"

ITEM	A	B	C	D	E	Ø
KLR.0G2.999T PAIR	custom	custom	72 mm 2 27/32"	13 mm 33/64"	custom	25 mm 1"

XX = FINISH CODE

- STAINLESS STEEL**
- .43 BRIGHT STAINLESS STEEL (ANSI/BHMA 629 - USD32)
 - .44 SATIN STAINLESS STEEL (ANSI/BHMA 630 - USD32D)
- STAINLESS STEEL POWDER-COATED ON REQUEST**
- .40 BLACK RAL 9005 MAT - TO MATCH WITH PBA BLACK ALUMINUM
 - .26 BLACK RAL 9005 GLOSSY
 - .31 WHITE RAL 9010
 - .32 GREY
 - .38 CHAMPAGNE
 - .39 BRONZE - TO MATCH WITH PBA BRONZE ALUMINUM
 - .36 ARCHITECTURAL BRONZE
 - .56 MEDIUM BRONZE
 - .41 SILVER
 - .55 GOLD

- .99 COLOURS ON REQUEST TO MATCH ANY RAL #
(screws, grub screws and plastic parts non powdercoated)
available on request depending on quantities

EDGE COMPONENT:
BLACK FOR DARK COLOR POWDER
GREY FOR LIGHT COLOR POWDER AND STAINLESS STEEL

DOOR PREPARATION:
DP4 (UNIVERSAL NO LOCKING FULL SIZE)
DP5 (UNIVERSAL NO LOCKING HALF SIZE)
page K-Lock_237 - page K-Lock_238

SPACERS FOR DOUBLE GLAZED DOOR
2CC.KIT.0010 (UNIVERSAL NO LOCKING FULL SIZE)
2CC.KIT.0009 (UNIVERSAL NO LOCKING HALF SIZE)
page K-Lock_231 - page K-Lock_232

BACK TO BACK FIXING KIT ALWAYS INCLUDED
SUITABLE FOR GLASS / WOOD / METAL DOOR

THESE PRODUCTS CONTRIBUTE TO LEED® CREDITS

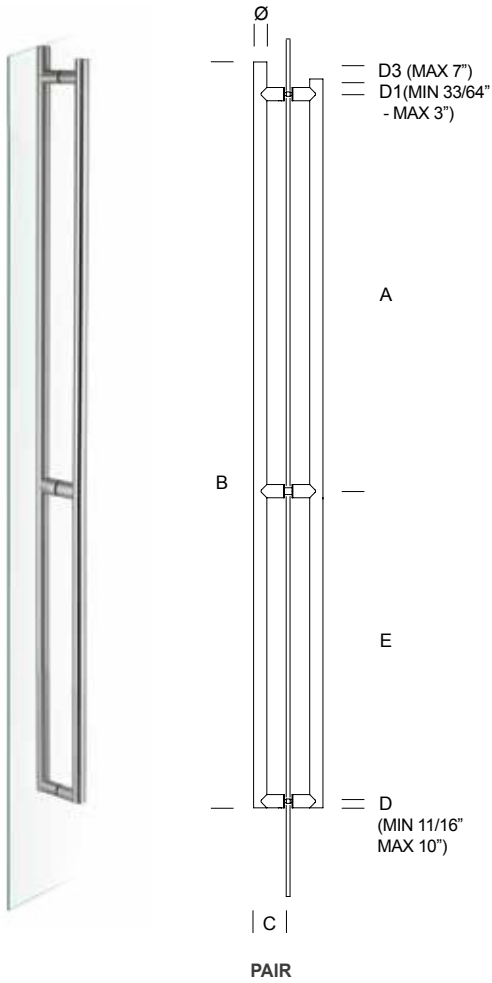
THE MANUFACTURER RESERVES THE RIGHT TO ALTER, IMPROVE AND DISCONTINUE ANY FEATURES OF THE PRODUCT (MAKE CHANGES AND IMPROVEMENTS IN DESIGNS AND DIMENSIONS) WITHOUT NOTICE.

ALL DIMENSIONS IN THE CATALOG DRAWINGS ARE APPROXIMATIONS. REQUEST THE APPROPRIATE TECHNICAL DRAWING BEFORE DOOR PREPARATION AND INSTALLATION.



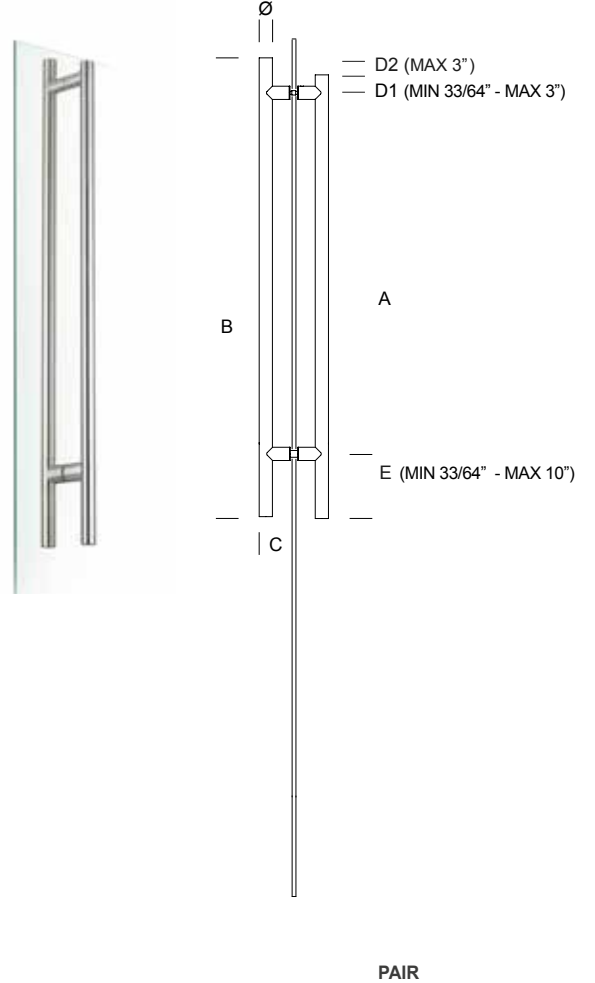
UNIVERSAL
NON LOCKING
FULL SIZE

ADA
10"
clearance
Layout



UNIVERSAL
NON LOCKING
HALF SIZE

ADA
10"
clearance
Layout



ITEM	A	B	C	D-D2-D3	E	Ø
KLR.0G4.999Z. xx	custom	custom	72 mm 2 27/32"	custom	custom	25 mm 1"
PAIR						

ITEM	A	B	C	D	E	Ø
KLR.0G2.999Z. xx	custom	custom	72 mm 2 27/32"	custom	custom	25 mm 1"
PAIR						

.XX = FINISH CODE

STAINLESS STEEL

- .43 BRIGHT STAINLESS STEEL (ANSI/BHMA 629 - USD32)
- .44 SATIN STAINLESS STEEL (ANSI/BHMA 630 - USD32D)

STAINLESS STEEL POWDER-COATED ON REQUEST

- .40 BLACK RAL 9005 MAT - TO MATCH WITH PBA BLACK ALUMINUM
- .26 BLACK RAL 9005 GLOSSY
- .31 WHITE RAL 9010
- .32 GREY
- .38 CHAMPAGNE
- .39 BRONZE - TO MATCH WITH PBA BRONZE ALUMINUM
- .36 ARCHITECTURAL BRONZE
- .56 MEDIUM BRONZE
- .41 SILVER
- .55 GOLD

- .99 COLOURS ON REQUEST TO MATCH ANY RAL #
(screws, grub screws and plastic parts non powdercoated)
available on request depending on quantities

EDGE COMPONENT:

- BLACK FOR DARK COLOR POWDER
- GREY FOR LIGHT COLOR POWDER AND STAINLESS STEEL

DOOR PREPARATION:

- DP4 (UNIVERSAL NO LOCKING FULL SIZE)
 - DP5 (UNIVERSAL NO LOCKING HALF SIZE)
- page K-Lock_237 - page K-Lock_238

SPACERS FOR DOUBLE GLAZED DOOR

- 2CC.KIT.0010 (UNIVERSAL NO LOCKING FULL SIZE)
 - 2CC.KIT.0009 (UNIVERSAL NO LOCKING HALF SIZE)
- page K-Lock_231 - page K-Lock_232

BACK TO BACK FIXING KIT ALWAYS INCLUDED
SUITABLE FOR GLASS / WOOD / METAL DOOR

THESE PRODUCTS CONTRIBUTE TO LEED® CREDITS

THE MANUFACTURER RESERVES THE RIGHT TO ALTER, IMPROVE AND DISCONTINUE ANY FEATURES OF THE PRODUCT (MAKE CHANGES AND IMPROVEMENTS IN DESIGNS AND DIMENSIONS) WITHOUT NOTICE.

ALL DIMENSIONS IN THE CATALOG DRAWINGS ARE APPROXIMATIONS. REQUEST THE APPROPRIATE TECHNICAL DRAWING BEFORE DOOR PREPARATION AND INSTALLATION.



PROGRAMMA K-LOCK
SPECIALS

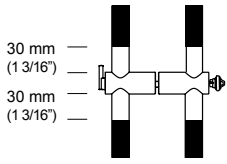


CILINDRO PROFILO AMERICANO RIM
AMERICAN RIM CYLINDER

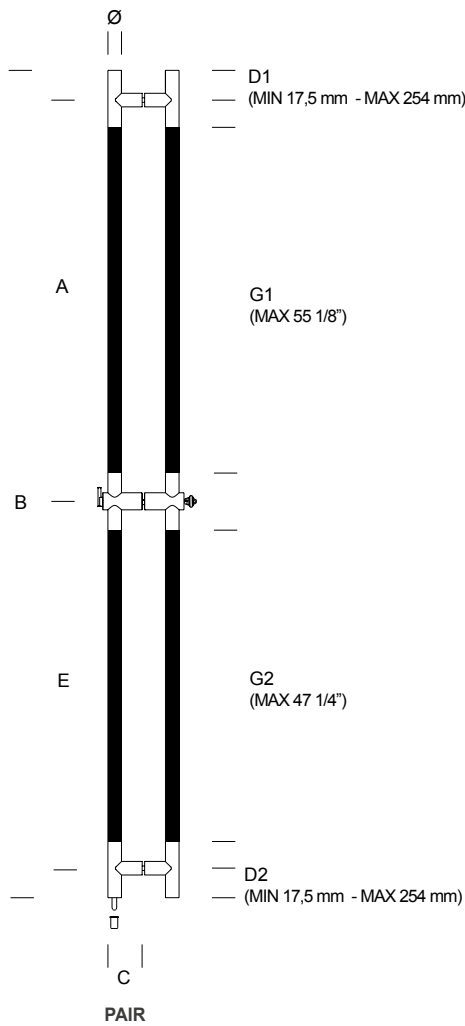


CILINDRO PROFILO AMERICANO RIM
AMERICAN RIM CYLINDER

LOCKING
FULL SIZE



LA DISTANZA TRA INSERTO IN PELLE E DISTANZIERS DEVE ESSERE 30 mm (1 3/16")
GAP BETWEEN LEATHER WRAP AND POST MUST BE 30 mm (1 3/16")



PBA
PATENTED
SYSTEM

PATENT
102019000012465



OVERLAPPED LEATHER

CYLINDER NOT INCLUDED



RIM CYLINDER WITH IC



RIM CYLINDER



ADA COMPLIANT THUMBTURN



ADJUSTABLE STEEL DEAD BOLT



DUST-FREE FLOOR SOCKET

BRAND OF COMPATIBLE RIM CYLINDER:

- ARROW
- CORBIN RUSSWIN
- MEDECO
- SCHLAGE
- BEST
- KABAILCO
- SARGENT
- YALE

INDICATIVE PICTURE

PAIR	ITEM	A	B	C	D1/D2	E	G1	G2	Ø
BOTTOM LOCKING	KLL.004.999U. xx	custom	custom	80 mm 3 1/8"	custom	custom	custom	custom	35 mm 1 3/8"
TOP/BOTTOM LOCKING	KLL.006.999U. xx	custom	custom	80 mm 3 1/8"	custom	custom	custom	custom	35 mm 1 3/8"

Black Brown



.XX = FINISH CODE

LEATHER

- .4H BLACK PF
- .3H BLACK PF
- .4P BROWN PF
- .3P BROWN PF

STAINLESS STEEL

- SATIN STAINLESS STEEL (ANSI/BHMA 630 - USD32D)
- BRIGHT STAINLESS STEEL (ANSI/BHMA 629 - USD32)
- SATIN STAINLESS STEEL (ANSI/BHMA 630 - USD32D)
- BRIGHT STAINLESS STEEL (ANSI/BHMA 629 - USD32)

STAINLESS STEEL POWDER-COATED ON REQUEST

- .40 BLACK RAL 9005 MAT - TO MATCH WITH PBA BLACK ALUMINUM
- .26 BLACK RAL 9005 GLOSSY
- .31 WHITE RAL 9010
- .32 GREY
- .38 CHAMPAGNE
- .39 BRONZE - TO MATCH WITH PBA BRONZE ALUMINUM
- .36 ARCHITECTURAL BRONZE
- .56 MEDIUM BRONZE
- .41 SILVER
- .55 GOLD

- .99 COLOURS ON REQUEST TO MATCH ANY RAL # (screws, grub screws and plastic parts non powdercoated) available on request depending on quantities

EDGE COMPONENT:

- BLACK FOR DARK COLOR POWDER
- GREY FOR LIGHT COLOR POWDER AND STAINLESS STEEL

DOOR PREPARATION DP1
page K-Lock_234

SPACERS FOR DOUBLE GLAZED DOOR
page K-Lock_231 - page K-Lock_232

STRIKE DETAILS
page K-Lock_228

COMBINED NON LOCKING
page K-Lock_117

ITEM
KLL.0G4.999U

CERTIFICATION LEATHER PF:



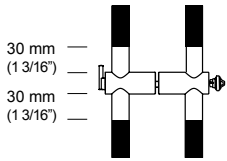
THESE PRODUCTS CONTRIBUTE TO LEED® CREDITS

THE MANUFACTURER RESERVES THE RIGHT TO ALTER, IMPROVE AND DISCONTINUE ANY FEATURES OF THE PRODUCT (MAKE CHANGES AND IMPROVEMENTS IN DESIGNS AND DIMENSIONS) WITHOUT NOTICE.

ALL DIMENSIONS IN THE CATALOG DRAWINGS ARE APPROXIMATIONS. REQUEST THE APPROPRIATE TECHNICAL DRAWING BEFORE DOOR PREPARATION AND INSTALLATION.



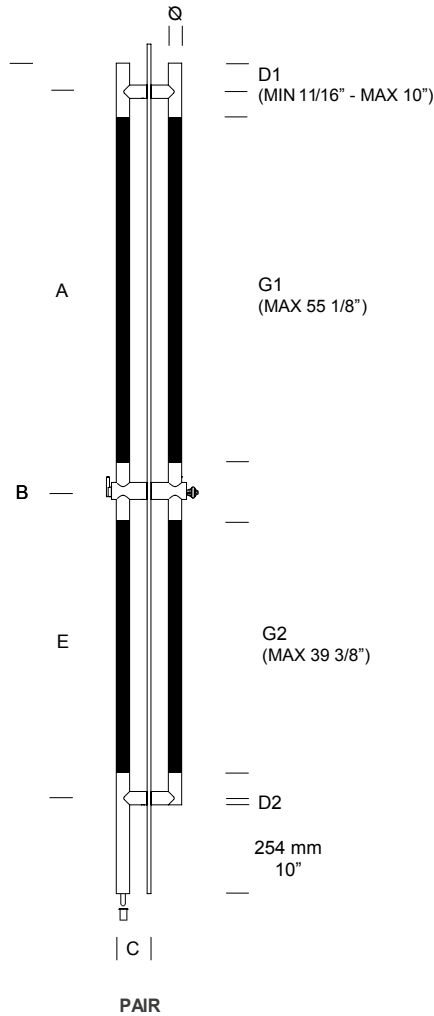
LOCKING FULL SIZE



LA DISTANZA TRA INSERTO IN PELLE E DISTANZIARE DEVE ESSERE 30 mm (1 3/16")
 GAP BETWEEN LEATHER WRAP AND POST MUST BE 30 mm (1 3/16")



INDICATIVE PICTURE



ADA
10" clearance layout

PBA PATENTED SYSTEM PATENT 102019000012465



CYLINDER NOT INCLUDED



BRAND OF COMPATIBLE RIM CYLINDER:
 - ARROW - BEST
 - CORBIN RUSSWIN - KABAILCO
 - MEDECO - SARGENT
 - SCHLAGE - YALE

PAIR	ITEM	A	B	C	D1/D2	E	G1	G2	Ø
BOTTOM LOCKING	 KLL.004.99TU..xx	custom	custom	80 mm 3 1/8"	custom	custom	custom	custom	35 mm 1 3/8"

Black Brown



.XX = FINISH CODE

- | | |
|----------------|--|
| LEATHER | STAINLESS STEEL |
| .4H BLACK PF | SATIN STAINLESS STEEL (ANSI/BHMA 630 - USD32D) |
| .3H BLACK PF | BRIGHT STAINLESS STEEL (ANSI/BHMA 629 - USD32) |
| .4P BROWN PF | SATIN STAINLESS STEEL (ANSI/BHMA 630 - USD32D) |
| .3P BROWN PF | BRIGHT STAINLESS STEEL (ANSI/BHMA 629 - USD32) |

- STAINLESS STEEL POWDER-COATED ON REQUEST**
- .40 BLACK RAL 9005 MAT - TO MATCH WITH PBA BLACK ALUMINUM
 - .26 BLACK RAL 9005 GLOSSY
 - .31 WHITE RAL 9010
 - .32 GREY
 - .38 CHAMPAGNE
 - .39 BRONZE - TO MATCH WITH PBA BRONZE ALUMINUM
 - .36 ARCHITECTURAL BRONZE
 - .56 MEDIUM BRONZE
 - .41 SILVER
 - .55 GOLD

.99 COLOURS ON REQUEST TO MATCH ANY RAL # (screws, grub screws and plastic parts non powdercoated) available on request depending on quantities

EDGE COMPONENT:
 BLACK FOR DARK COLOR POWDER
 GREY FOR LIGHT COLOR POWDER AND STAINLESS STEEL

DOOR PREPARATION DP1
page K-Lock_234

SPACERS FOR DOUBLE GLAZED DOOR
page K-Lock_231 - page K-Lock_232

COMBINED NON LOCKING
page K-Lock_118

ITEM
KLL.0G4.99TU

CERTIFICATION LEATHER PF:



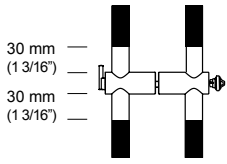
THESE PRODUCTS CONTRIBUTE TO LEED® CREDITS

THE MANUFACTURER RESERVES THE RIGHT TO ALTER, IMPROVE AND DISCONTINUE ANY FEATURES OF THE PRODUCT (MAKE CHANGES AND IMPROVEMENTS IN DESIGNS AND DIMENSIONS) WITHOUT NOTICE.

ALL DIMENSIONS IN THE CATALOG DRAWINGS ARE APPROXIMATIONS. REQUEST THE APPROPRIATE TECHNICAL DRAWING BEFORE DOOR PREPARATION AND INSTALLATION.



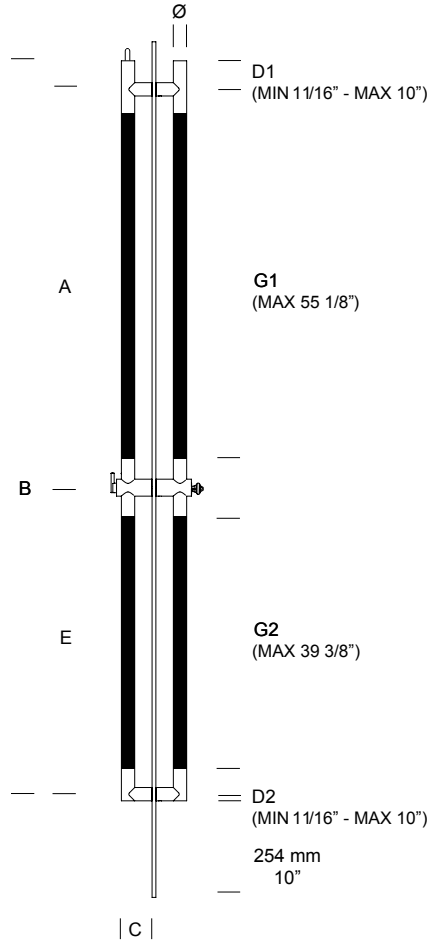
LOCKING FULL SIZE



LA DISTANZA TRA INSERTO IN PELLE E DISTANZIERE DEVE ESSERE 30 mm (1 3/16")
 GAP BETWEEN LEATHER WRAP AND POST MUST BE 30 mm (1 3/16")



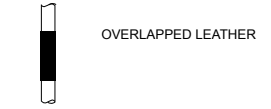
INDICATIVE PICTURE



PAIR

ADA
10" clearance layout

PBA PATENTED SYSTEM PATENT 102019000012465



CYLINDER NOT INCLUDED



BRAND OF COMPATIBLE RIM CYLINDER:
 - ARROW - BEST
 - CORBIN RUSSWIN - KABAILCO
 - MEDECO - SARGENT
 - SCHLAGE - YALE

PAIR TOP LOCKING	ITEM	A	B	C	D1/D2	E	G1	G2	Ø
	KLL.004.99RU..xx	custom	custom	80 mm 3 1/8"	custom	custom	custom	custom	35 mm 1 3/8"

Black Brown



.XX = FINISH CODE

- | | |
|----------------|--|
| LEATHER | STAINLESS STEEL |
| .4H BLACK PF | SATIN STAINLESS STEEL (ANSI/BHMA 630 - USD32D) |
| .3H BLACK PF | BRIGHT STAINLESS STEEL (ANSI/BHMA 629 - USD32) |
| .4P BROWN PF | SATIN STAINLESS STEEL (ANSI/BHMA 630 - USD32D) |
| .3P BROWN PF | BRIGHT STAINLESS STEEL (ANSI/BHMA 629 - USD32) |

- STAINLESS STEEL POWDER-COATED ON REQUEST**
- .40 BLACK RAL 9005 MAT - TO MATCH WITH PBA BLACK ALUMINUM
 - .26 BLACK RAL 9005 GLOSSY
 - .31 WHITE RAL 9010
 - .32 GREY
 - .38 CHAMPAGNE
 - .39 BRONZE - TO MATCH WITH PBA BRONZE ALUMINUM
 - .36 ARCHITECTURAL BRONZE
 - .56 MEDIUM BRONZE
 - .41 SILVER
 - .55 GOLD

- .99 COLOURS ON REQUEST TO MATCH ANY RAL # (screws, grub screws and plastic parts non powdercoated) available on request depending on quantities

EDGE COMPONENT:
 BLACK FOR DARK COLOR POWDER
 GREY FOR LIGHT COLOR POWDER AND STAINLESS STEEL

DOOR PREPARATION DP1
page K-Lock_234

SPACERS FOR DOUBLE GLAZED DOOR
page K-Lock_231 - page K-Lock_232

STRIKE DETAILS
page K-Lock_228

COMBINED NON LOCKING
page K-Lock_119

ITEM
KLL.0G4.99RU

CERTIFICATION LEATHER PF:

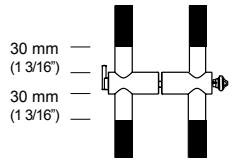
THESE PRODUCTS CONTRIBUTE TO LEED® CREDITS

THE MANUFACTURER RESERVES THE RIGHT TO ALTER, IMPROVE AND DISCONTINUE ANY FEATURES OF THE PRODUCT (MAKE CHANGES AND IMPROVEMENTS IN DESIGNS AND DIMENSIONS) WITHOUT NOTICE.

ALL DIMENSIONS IN THE CATALOG DRAWINGS ARE APPROXIMATIONS. REQUEST THE APPROPRIATE TECHNICAL DRAWING BEFORE DOOR PREPARATION AND INSTALLATION.



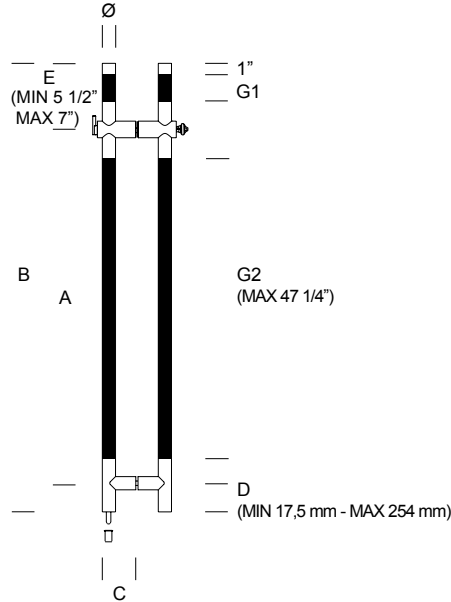
LOCKING
HALF SIZE



LA DISTANZA TRA INSERTO IN PELLE E DISTANZIERE DEVE ESSERE 30 mm (1 3/16")
GAP BETWEEN LEATHER WRAP AND POST MUST BE 30 mm (1 3/16")



INDICATIVE PICTURE



PAIR

P B A
PATENTED
SYSTEM

PATENT
102019000012465



OVERLAPPED LEATHER

CYLINDER NOT INCLUDED



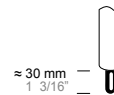
RIM CYLINDER WITH IC



RIM CYLINDER



ADA COMPLIANT THUMBTURN



ADJUSTABLE STEEL DEAD BOLT



DUST-FREE FLOOR SOCKET

BRAND OF COMPATIBLE RIM CYLINDER:	
- ARROW	- BEST
- CORBIN RUSSWIN	- KABAILCO
- MEDECO	- SARGENT
- SCHLAGE	- YALE

PAIR	ITEM	A	B	C	D	E	G1	G2	Ø
BOTTOM LOCKING	 KLL.002.999U..xx	custom	custom	80 mm 3 1/8"	custom	custom	custom	custom	35 mm 1 3/8"

Black Brown



.XX = FINISH CODE

- | | |
|----------------|--|
| LEATHER | STAINLESS STEEL |
| .4H BLACK PF | SATIN STAINLESS STEEL (ANSI/BHMA 630 - USD32D) |
| .3H BLACK PF | BRIGHT STAINLESS STEEL (ANSI/BHMA 629 - USD32) |
| .4P BROWN PF | SATIN STAINLESS STEEL (ANSI/BHMA 630 - USD32D) |
| .3P BROWN PF | BRIGHT STAINLESS STEEL (ANSI/BHMA 629 - USD32) |

- STAINLESS STEEL POWDER-COATED ON REQUEST**
- .40 BLACK RAL 9005 MAT - TO MATCH WITH PBA BLACK ALUMINUM
 - .26 BLACK RAL 9005 GLOSSY
 - .31 WHITE RAL 9010
 - .32 GREY
 - .38 CHAMPAGNE
 - .39 BRONZE - TO MATCH WITH PBA BRONZE ALUMINUM
 - .36 ARCHITECTURAL BRONZE
 - .56 MEDIUM BRONZE
 - .41 SILVER
 - .55 GOLD

- .99 COLOURS ON REQUEST TO MATCH ANY RAL #
(screws, grub screws and plastic parts non powdercoated)
available on request depending on quantities

EDGE COMPONENT:
BLACK FOR DARK COLOR POWDER
GREY FOR LIGHT COLOR POWDER AND STAINLESS STEEL

DOOR PREPARATION DP2
page K-Lock_235

SPACERS FOR DOUBLE GLAZED DOOR
page K-Lock_231 - page K-Lock_232

COMBINED NON LOCKING
page K-Lock_120

ITEM
KLL.0G2.999U

CERTIFICATION LEATHER PF:



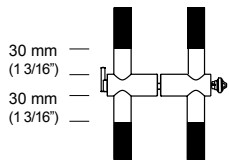
THESE PRODUCTS CONTRIBUTE TO LEED® CREDITS

THE MANUFACTURER RESERVES THE RIGHT TO ALTER, IMPROVE AND DISCONTINUE ANY FEATURES OF THE PRODUCT (MAKE CHANGES AND IMPROVEMENTS IN DESIGNS AND DIMENSIONS) WITHOUT NOTICE.

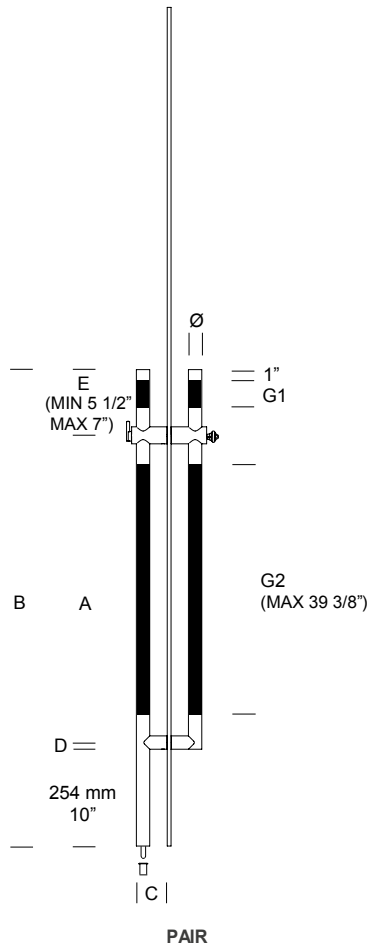
ALL DIMENSIONS IN THE CATALOG DRAWINGS ARE APPROXIMATIONS. REQUEST THE APPROPRIATE TECHNICAL DRAWING BEFORE DOOR PREPARATION AND INSTALLATION.



**LOCKING
HALF SIZE**



LA DISTANZA TRA INSERTO IN PELLE
E DISTANZIERE DEVE ESSERE
30 mm (1 3/16")
GAP BETWEEN LEATHER WRAP AND
POST MUST BE
30 mm (1 3/16")



ADA
10"
clearance
l a y o u t

PBA
PATENTED
SYSTEM PATENT
102019000012465

- OVERLAPPED LEATHER
- CYLINDER NOT INCLUDED
- RIM CYLINDER WITH IC
- RIM CYLINDER
- ADA COMPLIANT THUMBTURN
- ADJUSTABLE STEEL DEAD BOLT
≈ 30 mm / 1 3/16"
- DUST-FREE FLOOR SOCKET

BRAND OF COMPATIBLE RIM CYLINDER:

- ARROW
- CORBIN RUSSWIN
- MEDECO
- SCHLAGE
- BEST
- KABAILCO
- SARGENT
- YALE

INDICATIVE PICTURE

PAIR	ITEM	A	B	C	D	E	G1	G2	Ø
BOTTOM LOCKING	KLL.002.99TU..xx	custom	custom	80 mm 3 1/8"	custom	custom	custom	custom	35 mm 1 3/8"

Black Brown



.XX = FINISH CODE

- | | |
|----------------|--|
| LEATHER | STAINLESS STEEL |
| .4H BLACK PF | SATIN STAINLESS STEEL (ANSI/BHMA 630 - USD32D) |
| .3H BLACK PF | BRIGHT STAINLESS STEEL (ANSI/BHMA 629 - USD32) |
| .4P BROWN PF | SATIN STAINLESS STEEL (ANSI/BHMA 630 - USD32D) |
| .3P BROWN PF | BRIGHT STAINLESS STEEL (ANSI/BHMA 629 - USD32) |
- STAINLESS STEEL POWDER-COATED ON REQUEST**
- .40 BLACK RAL 9005 MAT - TO MATCH WITH PBA BLACK ALUMINUM
 - .26 BLACK RAL 9005 GLOSSY
 - .31 WHITE RAL 9010
 - .32 GREY
 - .38 CHAMPAGNE
 - .39 BRONZE - TO MATCH WITH PBA BRONZE ALUMINUM
 - .36 ARCHITECTURAL BRONZE
 - .56 MEDIUM BRONZE
 - .41 SILVER
 - .55 GOLD
- .99 COLOURS ON REQUEST TO MATCH ANY RAL #
(screws, grub screws and plastic parts non powdercoated)
available on request depending on quantities
- EDGE COMPONENT:**
BLACK FOR DARK COLOR POWDER
GREY FOR LIGHT COLOR POWDER AND STAINLESS STEEL

DOOR PREPARATION DP2
page K-Lock_235

SPACERS FOR DOUBLE GLAZED DOOR
page K-Lock_231 - page K-Lock_232

COMBINED NON LOCKING
page K-Lock_121

ITEM
KLL.0G2.99TU

CERTIFICATION LEATHER PF:

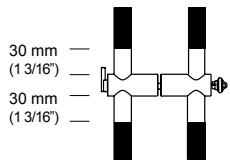
THESE PRODUCTS CONTRIBUTE TO **LEED®** CREDITS

THE MANUFACTURER RESERVES THE RIGHT TO ALTER, IMPROVE AND DISCONTINUE ANY FEATURES OF THE PRODUCT (MAKE CHANGES AND IMPROVEMENTS IN DESIGNS AND DIMENSIONS) WITHOUT NOTICE.

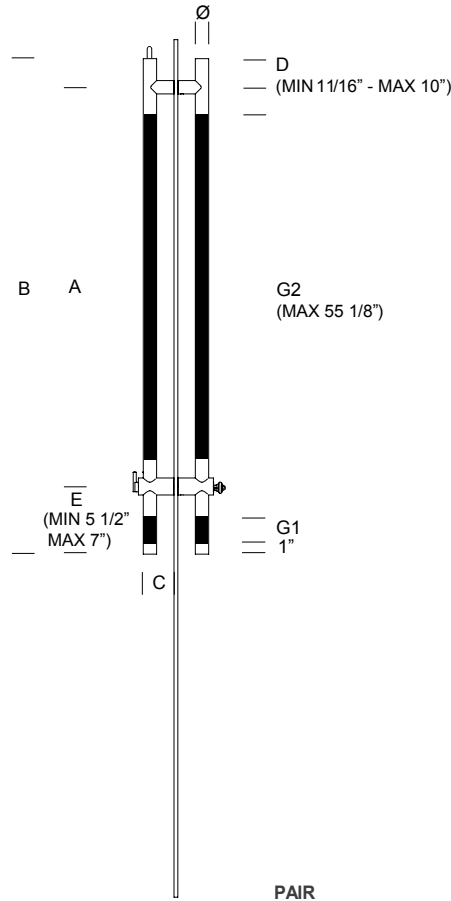
ALL DIMENSIONS IN THE CATALOG DRAWINGS ARE APPROXIMATIONS. REQUEST THE APPROPRIATE TECHNICAL DRAWING BEFORE DOOR PREPARATION AND INSTALLATION.



**LOCKING
HALF SIZE**



LA DISTANZA TRA INSERTO IN PELLE
E DISTANZIERE DEVE ESSERE
30 mm (1 3/16")
GAP BETWEEN LEATHER WRAP AND
POST MUST BE
30 mm (1 3/16")



ADA
10"
clearance
l a y o u t

PBA
PATENTED
SYSTEM PATENT
102019000012465



CYLINDER NOT INCLUDED



BRAND OF COMPATIBLE RIM CYLINDER:
- ARROW - BEST
- CORBIN RUSSWIN - KABAILCO
- MEDECO - SARGENT
- SCHLAGE - YALE

INDICATIVE PICTURE

PAIR TOP LOCKING	ITEM	A	B	C	D	E	G1	G2	Ø
	KLL.002.99RU.xx	custom	custom	80 mm 3 1/8"	custom	custom	custom	custom	35 mm 1 3/8"

Black Brown



.XX = FINISH CODE

- | | |
|----------------|--|
| LEATHER | STAINLESS STEEL |
| .4H BLACK PF | SATIN STAINLESS STEEL (ANSI/BHMA 630 - USD32D) |
| .3H BLACK PF | BRIGHT STAINLESS STEEL (ANSI/BHMA 629 - USD32) |
| .4P BROWN PF | SATIN STAINLESS STEEL (ANSI/BHMA 630 - USD32D) |
| .3P BROWN PF | BRIGHT STAINLESS STEEL (ANSI/BHMA 629 - USD32) |

- STAINLESS STEEL POWDER-COATED ON REQUEST**
- .40 BLACK RAL 9005 MAT - TO MATCH WITH PBA BLACK ALUMINUM
 - .26 BLACK RAL 9005 GLOSSY
 - .31 WHITE RAL 9010
 - .32 GREY
 - .38 CHAMPAGNE
 - .39 BRONZE - TO MATCH WITH PBA BRONZE ALUMINUM
 - .36 ARCHITECTURAL BRONZE
 - .56 MEDIUM BRONZE
 - .41 SILVER
 - .55 GOLD

- .99 COLOURS ON REQUEST TO MATCH ANY RAL #
(screws, grub screws and plastic parts non powdercoated)
available on request depending on quantities

EDGE COMPONENT:
BLACK FOR DARK COLOR POWDER
GREY FOR LIGHT COLOR POWDER AND STAINLESS STEEL

DOOR PREPARATION DP2
page K-Lock_235

SPACERS FOR DOUBLE GLAZED DOOR
page K-Lock_231 - page K-Lock_232

STRIKE DETAILS
page K-Lock_228

COMBINED NON LOCKING
page K-Lock_122

ITEM
KLL.0G2.99RU

CERTIFICATION LEATHER PF:



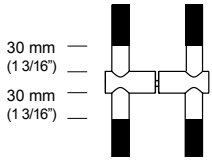
THESE PRODUCTS CONTRIBUTE TO **LEED®** CREDITS

THE MANUFACTURER RESERVES THE RIGHT TO ALTER,
IMPROVE AND DISCONTINUE ANY FEATURES OF THE PRODUCT
(MAKE CHANGES AND IMPROVEMENTS IN DESIGNS AND
DIMENSIONS) WITHOUT NOTICE.

ALL DIMENSIONS IN THE CATALOG DRAWINGS ARE APPROXIMATIONS.
REQUEST THE APPROPRIATE TECHNICAL DRAWING BEFORE DOOR
PREPARATION AND INSTALLATION.



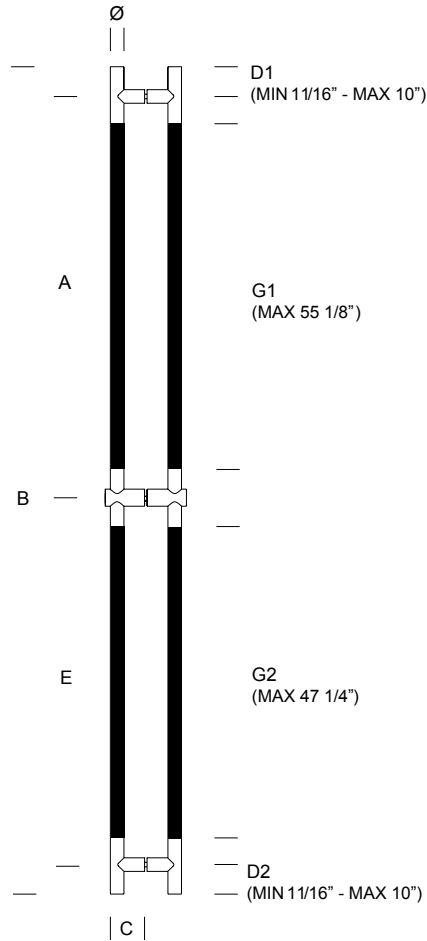
NON LOCKING
FULL SIZE



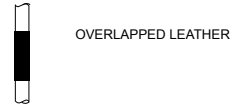
LA DISTANZA TRA INSERTO IN PELLE E DISTANZIARE DEVE ESSERE 30 mm (1 3/16")
GAP BETWEEN LEATHER WRAP AND POST MUST BE 30 mm (1 3/16")



INDICATIVE PICTURE



BACK TO BACK FIXING KIT
ALWAYS INCLUDED
SUITABLE FOR GLASS /
WOOD / METAL DOOR



OVERLAPPED LEATHER

PAIR

PAIR	ITEM	A	B	C	D1/D2	E	G1	G2	Ø
	KLL.0G4.999U..xx	custom	custom	80 mm 3 1/8"	custom	custom	custom	custom	35 mm 1 3/8"

Black Brown



.XX = FINISH CODE

- | | |
|----------------|--|
| LEATHER | STAINLESS STEEL |
| .4H BLACK PF | SATIN STAINLESS STEEL (ANSI/BHMA 630 - USD32D) |
| .3H BLACK PF | BRIGHT STAINLESS STEEL (ANSI/BHMA 629 - USD32) |
| .4P BROWN PF | SATIN STAINLESS STEEL (ANSI/BHMA 630 - USD32D) |
| .3P BROWN PF | BRIGHT STAINLESS STEEL (ANSI/BHMA 629 - USD32) |

- STAINLESS STEEL POWDER-COATED ON REQUEST**
- .40 BLACK RAL 9005 MAT - TO MATCH WITH PBA BLACK ALUMINUM
 - .26 BLACK RAL 9005 GLOSSY
 - .31 WHITE RAL 9010
 - .32 GREY
 - .38 CHAMPAGNE
 - .39 BRONZE - TO MATCH WITH PBA BRONZE ALUMINUM
 - .36 ARCHITECTURAL BRONZE
 - .56 MEDIUM BRONZE
 - .41 SILVER
 - .55 GOLD

- .99 COLOURS ON REQUEST TO MATCH ANY RAL #
(screws, grub screws and plastic parts non powdercoated)
available on request depending on quantities

EDGE COMPONENT:
BLACK FOR DARK COLOR POWDER
GREY FOR LIGHT COLOR POWDER AND STAINLESS STEEL

DOOR PREPARATION DP1
page K-Lock_234

SPACERS FOR DOUBLE GLAZED DOOR
page K-Lock_231 - page K-Lock_232

NON LOCKING TO MATCH PULL ON
page K-Lock_111



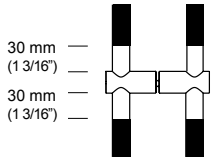
CERTIFICATION LEATHER PF:

THESE PRODUCTS CONTRIBUTE TO LEED® CREDITS

THE MANUFACTURER RESERVES THE RIGHT TO ALTER, IMPROVE AND DISCONTINUE ANY FEATURES OF THE PRODUCT (MAKE CHANGES AND IMPROVEMENTS IN DESIGNS AND DIMENSIONS) WITHOUT NOTICE.

ALL DIMENSIONS IN THE CATALOG DRAWINGS ARE APPROXIMATIONS. REQUEST THE APPROPRIATE TECHNICAL DRAWING BEFORE DOOR PREPARATION AND INSTALLATION.

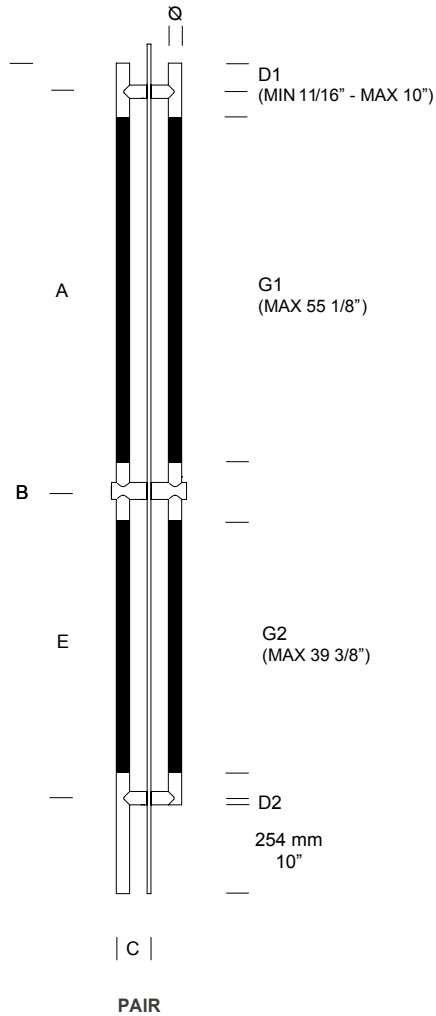
NON LOCKING
FULL SIZE



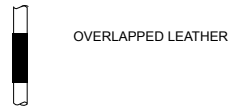
LA DISTANZA TRA INSERTO IN PELLE E DISTANZIERS DEVE ESSERE 30 mm (1 3/16")
GAP BETWEEN LEATHER WRAP AND POST MUST BE 30 mm (1 3/16")



INDICATIVE PICTURE



BACK TO BACK FIXING KIT ALWAYS INCLUDED SUITABLE FOR GLASS / WOOD / METAL DOOR



OVERLAPPED LEATHER

PAIR	ITEM	A	B	C	D1/D2	E	G1	G2	Ø
	KLL.0G4.99TU. xx	custom	custom	80 mm 3 1/8"	custom	custom	custom	custom	35 mm 1 3/8"

Black Brown



.XX = FINISH CODE

- | | |
|----------------|--|
| LEATHER | STAINLESS STEEL |
| .4H BLACK PF | SATIN STAINLESS STEEL (ANSI/BHMA 630 - USD32D) |
| .3H BLACK PF | BRIGHT STAINLESS STEEL (ANSI/BHMA 629 - USD32) |
| .4P BROWN PF | SATIN STAINLESS STEEL (ANSI/BHMA 630 - USD32D) |
| .3P BROWN PF | BRIGHT STAINLESS STEEL (ANSI/BHMA 629 - USD32) |

- STAINLESS STEEL POWDER-COATED ON REQUEST**
- .40 BLACK RAL 9005 MAT - TO MATCH WITH PBA BLACK ALUMINUM
 - .26 BLACK RAL 9005 GLOSSY
 - .31 WHITE RAL 9010
 - .32 GREY
 - .38 CHAMPAGNE
 - .39 BRONZE - TO MATCH WITH PBA BRONZE ALUMINUM
 - .36 ARCHITECTURAL BRONZE
 - .56 MEDIUM BRONZE
 - .41 SILVER
 - .55 GOLD

- .99 COLOURS ON REQUEST TO MATCH ANY RAL #
(screws, grub screws and plastic parts non powdercoated)
available on request depending on quantities

EDGE COMPONENT:
BLACK FOR DARK COLOR POWDER
GREY FOR LIGHT COLOR POWDER AND STAINLESS STEEL

DOOR PREPARATION DP1
page K-Lock_234

SPACERS FOR DOUBLE GLAZED DOOR
page K-Lock_231 - page K-Lock_232

NON LOCKING TO MATCH PULL ON
page K-Lock_112



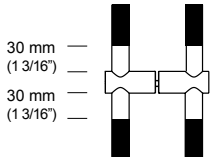
CERTIFICATION LEATHER PF:

THESE PRODUCTS CONTRIBUTE TO **LEED®** CREDITS

THE MANUFACTURER RESERVES THE RIGHT TO ALTER, IMPROVE AND DISCONTINUE ANY FEATURES OF THE PRODUCT (MAKE CHANGES AND IMPROVEMENTS IN DESIGNS AND DIMENSIONS) WITHOUT NOTICE.

ALL DIMENSIONS IN THE CATALOG DRAWINGS ARE APPROXIMATIONS. REQUEST THE APPROPRIATE TECHNICAL DRAWING BEFORE DOOR PREPARATION AND INSTALLATION.

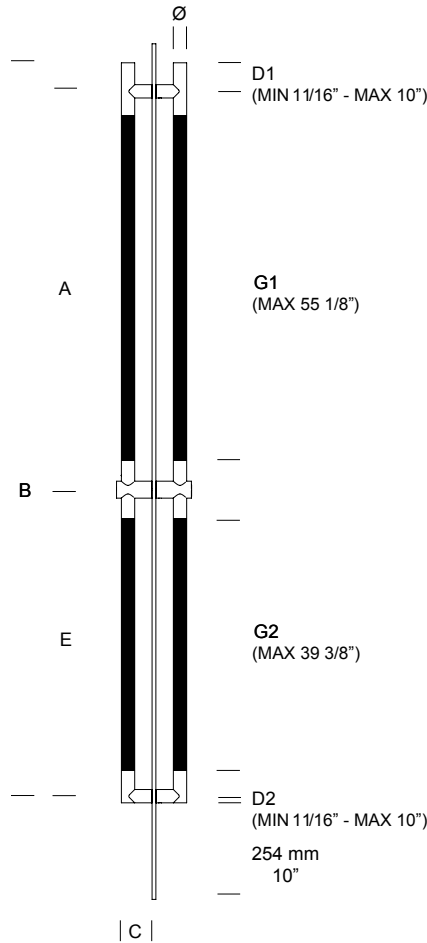
NON LOCKING
FULL SIZE



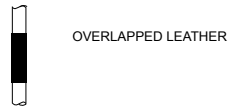
LA DISTANZA TRA INSERTO IN PELLE E DISTANZIERE DEVE ESSERE 30 mm (1 3/16")
GAP BETWEEN LEATHER WRAP AND POST MUST BE 30 mm (1 3/16")



INDICATIVE PICTURE



BACK TO BACK FIXING KIT
ALWAYS INCLUDED
SUITABLE FOR GLASS /
WOOD / METAL DOOR



OVERLAPPED LEATHER

PAIR

PAIR	ITEM	A	B	C	D1/D2	E	G1	G2	Ø
	KLL.0G4.99RU. xx	custom	custom	80 mm 3 1/8"	custom	custom	custom	custom	35 mm 1 3/8"

Black Brown



.XX = FINISH CODE

- | | |
|----------------|--|
| LEATHER | STAINLESS STEEL |
| .4H BLACK PF | SATIN STAINLESS STEEL (ANSI/BHMA 630 - USD32D) |
| .3H BLACK PF | BRIGHT STAINLESS STEEL (ANSI/BHMA 629 - USD32) |
| .4P BROWN PF | SATIN STAINLESS STEEL (ANSI/BHMA 630 - USD32D) |
| .3P BROWN PF | BRIGHT STAINLESS STEEL (ANSI/BHMA 629 - USD32) |

- STAINLESS STEEL POWDER-COATED ON REQUEST**
- .40 BLACK RAL 9005 MAT - TO MATCH WITH PBA BLACK ALUMINUM
 - .26 BLACK RAL 9005 GLOSSY
 - .31 WHITE RAL 9010
 - .32 GREY
 - .38 CHAMPAGNE
 - .39 BRONZE - TO MATCH WITH PBA BRONZE ALUMINUM
 - .36 ARCHITECTURAL BRONZE
 - .56 MEDIUM BRONZE
 - .41 SILVER
 - .55 GOLD

- .99 COLOURS ON REQUEST TO MATCH ANY RAL #
(screws, grub screws and plastic parts non powdercoated)
available on request depending on quantities

EDGE COMPONENT:
BLACK FOR DARK COLOR POWDER
GREY FOR LIGHT COLOR POWDER AND STAINLESS STEEL

DOOR PREPARATION DP1
page K-Lock_234

SPACERS FOR DOUBLE GLAZED DOOR
page K-Lock_231 - page K-Lock_232

NON LOCKING TO MATCH PULL ON
page K-Lock_113

CERTIFICATION LEATHER PF:

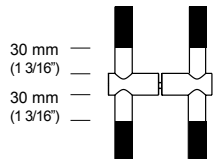


THESE PRODUCTS CONTRIBUTE TO LEED® CREDITS

THE MANUFACTURER RESERVES THE RIGHT TO ALTER, IMPROVE AND DISCONTINUE ANY FEATURES OF THE PRODUCT (MAKE CHANGES AND IMPROVEMENTS IN DESIGNS AND DIMENSIONS) WITHOUT NOTICE.

ALL DIMENSIONS IN THE CATALOG DRAWINGS ARE APPROXIMATIONS. REQUEST THE APPROPRIATE TECHNICAL DRAWING BEFORE DOOR PREPARATION AND INSTALLATION.

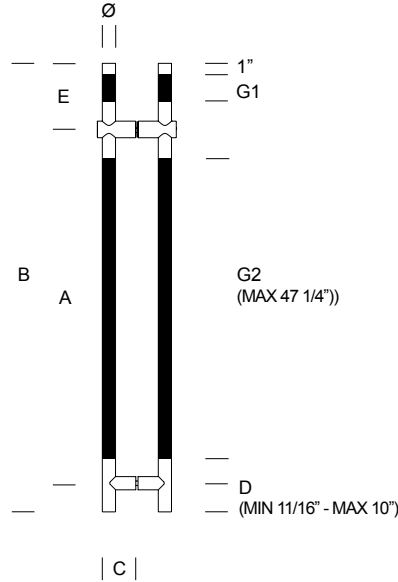
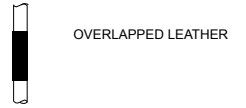
NON LOCKING
HALF SIZE



LA DISTANZA TRA INSERTO IN PELLE
E DISTANZIERE DEVE ESSERE
30 mm (1 3/16")
GAP BETWEEN LEATHER WRAP AND
POST MUST BE
30 mm (1 3/16")



BACK TO BACK FIXING KIT
ALWAYS INCLUDED
SUITABLE FOR GLASS /
WOOD / METAL DOOR



INDICATIVE PICTURE

PAIR

PAIR	ITEM	A	B	C	D	E	G1	G2	Ø
	KLL.0G2.999U. xx	custom	custom	80 mm 3 1/8"	custom	custom	custom	custom	35 mm 1 3/8"

Black Brown



.XX = FINISH CODE

- | | |
|----------------|--|
| LEATHER | STAINLESS STEEL |
| .4H BLACK PF | SATIN STAINLESS STEEL (ANSI/BHMA 630 - USD32D) |
| .3H BLACK PF | BRIGHT STAINLESS STEEL (ANSI/BHMA 629 - USD32) |
| .4P BROWN PF | SATIN STAINLESS STEEL (ANSI/BHMA 630 - USD32D) |
| .3P BROWN PF | BRIGHT STAINLESS STEEL (ANSI/BHMA 629 - USD32) |

- STAINLESS STEEL POWDER-COATED ON REQUEST**
- .40 BLACK RAL 9005 MAT - TO MATCH WITH PBA BLACK ALUMINUM
 - .26 BLACK RAL 9005 GLOSSY
 - .31 WHITE RAL 9010
 - .32 GREY
 - .38 CHAMPAGNE
 - .39 BRONZE - TO MATCH WITH PBA BRONZE ALUMINUM
 - .36 ARCHITECTURAL BRONZE
 - .56 MEDIUM BRONZE
 - .41 SILVER
 - .55 GOLD

- .99 COLOURS ON REQUEST TO MATCH ANY RAL #
(screws, grub screws and plastic parts non powdercoated)
available on request depending on quantities

EDGE COMPONENT:
BLACK FOR DARK COLOR POWDER
GREY FOR LIGHT COLOR POWDER AND STAINLESS STEEL

DOOR PREPARATION DP2
page K-Lock_235

SPACERS FOR DOUBLE GLAZED DOOR
page K-Lock_231 - page K-Lock_232

page K-Lock_114
NON LOCKING TO MATCH PULL ON



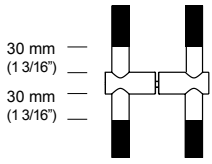
CERTIFICATION LEATHER PF:

THESE PRODUCTS CONTRIBUTE TO LEED® CREDITS

THE MANUFACTURER RESERVES THE RIGHT TO ALTER,
IMPROVE AND DISCONTINUE ANY FEATURES OF THE PRODUCT
(MAKE CHANGES AND IMPROVEMENTS IN DESIGNS AND
DIMENSIONS) WITHOUT NOTICE.

ALL DIMENSIONS IN THE CATALOG DRAWINGS ARE APPROXIMATIONS.
REQUEST THE APPROPRIATE TECHNICAL DRAWING BEFORE DOOR
PREPARATION AND INSTALLATION.

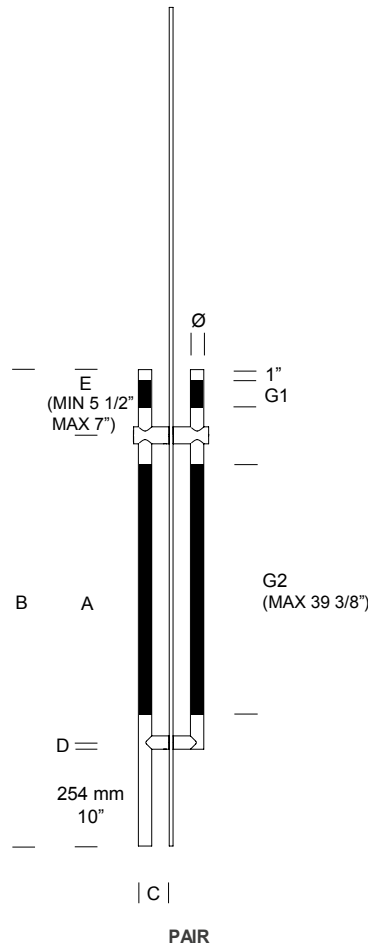
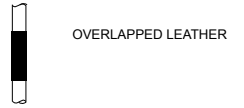
NON LOCKING
HALF SIZE



LA DISTANZA TRA INSERTO IN PELLE
E DISTANZIERE DEVE ESSERE
30 mm (1 3/16")
GAP BETWEEN LEATHER WRAP AND
POST MUST BE
30 mm (1 3/16")



BACK TO BACK FIXING KIT
ALWAYS INCLUDED
SUITABLE FOR GLASS /
WOOD / METAL DOOR



INDICATIVE PICTURE

PAIR	ITEM	A	B	C	D	E	G1	G2	Ø
	KLL.0G2.99TU. xx	custom	custom	80 mm 3 1/8"	custom	custom	custom	custom	35 mm 1 3/8"

Black Brown



.XX = FINISH CODE

- | | |
|----------------|--|
| LEATHER | STAINLESS STEEL |
| .4H BLACK PF | SATIN STAINLESS STEEL (ANSI/BHMA 630 - USD32D) |
| .3H BLACK PF | BRIGHT STAINLESS STEEL (ANSI/BHMA 629 - USD32) |
| .4P BROWN PF | SATIN STAINLESS STEEL (ANSI/BHMA 630 - USD32D) |
| .3P BROWN PF | BRIGHT STAINLESS STEEL (ANSI/BHMA 629 - USD32) |

- STAINLESS STEEL POWDER-COATED ON REQUEST**
- .40 BLACK RAL 9005 MAT - TO MATCH WITH PBA BLACK ALUMINUM
 - .26 BLACK RAL 9005 GLOSSY
 - .31 WHITE RAL 9010
 - .32 GREY
 - .38 CHAMPAGNE
 - .39 BRONZE - TO MATCH WITH PBA BRONZE ALUMINUM
 - .36 ARCHITECTURAL BRONZE
 - .56 MEDIUM BRONZE
 - .41 SILVER
 - .55 GOLD

- .99 COLOURS ON REQUEST TO MATCH ANY RAL #
(screws, grub screws and plastic parts non powdercoated)
available on request depending on quantities

EDGE COMPONENT:
BLACK FOR DARK COLOR POWDER
GREY FOR LIGHT COLOR POWDER AND STAINLESS STEEL

DOOR PREPARATION DP2
page K-Lock_235

SPACERS FOR DOUBLE GLAZED DOOR
page K-Lock_231 - page K-Lock_232

page K-Lock_115
NON LOCKING TO MATCH PULL ON



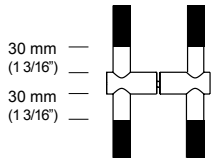
CERTIFICATION LEATHER PF:

THESE PRODUCTS CONTRIBUTE TO LEED® CREDITS

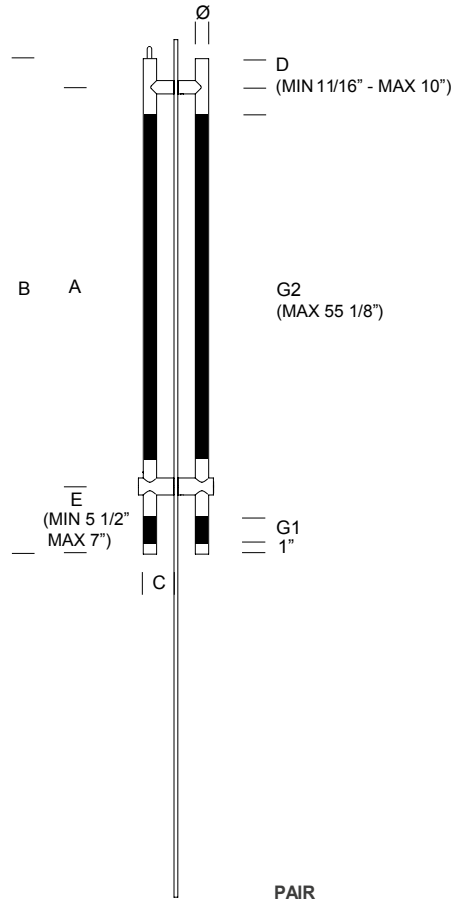
THE MANUFACTURER RESERVES THE RIGHT TO ALTER, IMPROVE AND DISCONTINUE ANY FEATURES OF THE PRODUCT (MAKE CHANGES AND IMPROVEMENTS IN DESIGNS AND DIMENSIONS) WITHOUT NOTICE.

ALL DIMENSIONS IN THE CATALOG DRAWINGS ARE APPROXIMATIONS. REQUEST THE APPROPRIATE TECHNICAL DRAWING BEFORE DOOR PREPARATION AND INSTALLATION.

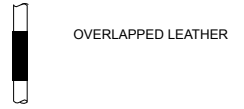
NON LOCKING
HALF SIZE



LA DISTANZA TRA INSERTO IN PELLE
E DISTANZIERS DEVE ESSERE
30 mm (1 3/16")
GAP BETWEEN LEATHER WRAP AND
POST MUST BE
30 mm (1 3/16")



BACK TO BACK FIXING KIT
ALWAYS INCLUDED
SUITABLE FOR GLASS /
WOOD / METAL DOOR



OVERLAPPED LEATHER

INDICATIVE PICTURE

PAIR	ITEM	A	B	C	D	E	G1	G2	Ø
	KLL.0G2.99RU. xx	custom	custom	80 mm 3 1/8"	custom	custom	custom	custom	35 mm 1 3/8"

Black Brown



.XX = FINISH CODE

- | | |
|----------------|--|
| LEATHER | STAINLESS STEEL |
| .4H BLACK PF | SATIN STAINLESS STEEL (ANSI/BHMA 630 - USD32D) |
| .3H BLACK PF | BRIGHT STAINLESS STEEL (ANSI/BHMA 629 - USD32) |
| .4P BROWN PF | SATIN STAINLESS STEEL (ANSI/BHMA 630 - USD32D) |
| .3P BROWN PF | BRIGHT STAINLESS STEEL (ANSI/BHMA 629 - USD32) |

STAINLESS STEEL POWDER-COATED ON REQUEST

- .40 BLACK RAL 9005 MAT - TO MATCH WITH PBA BLACK ALUMINUM
- .26 BLACK RAL 9005 GLOSSY
- .31 WHITE RAL 9010
- .32 GREY
- .38 CHAMPAGNE
- .39 BRONZE - TO MATCH WITH PBA BRONZE ALUMINUM
- .36 ARCHITECTURAL BRONZE
- .56 MEDIUM BRONZE
- .41 SILVER
- .55 GOLD

- .99 COLOURS ON REQUEST TO MATCH ANY RAL #
(screws, grub screws and plastic parts non powdercoated)
available on request depending on quantities

EDGE COMPONENT:

- BLACK FOR DARK COLOR POWDER
- GREY FOR LIGHT COLOR POWDER AND STAINLESS STEEL

DOOR PREPARATION DP3
page K-Lock_236

SPACERS FOR DOUBLE GLAZED DOOR
page K-Lock_231 - page K-Lock_232

NON LOCKING TO MATCH PULL ON
page K-Lock_116

CERTIFICATION LEATHER PF:

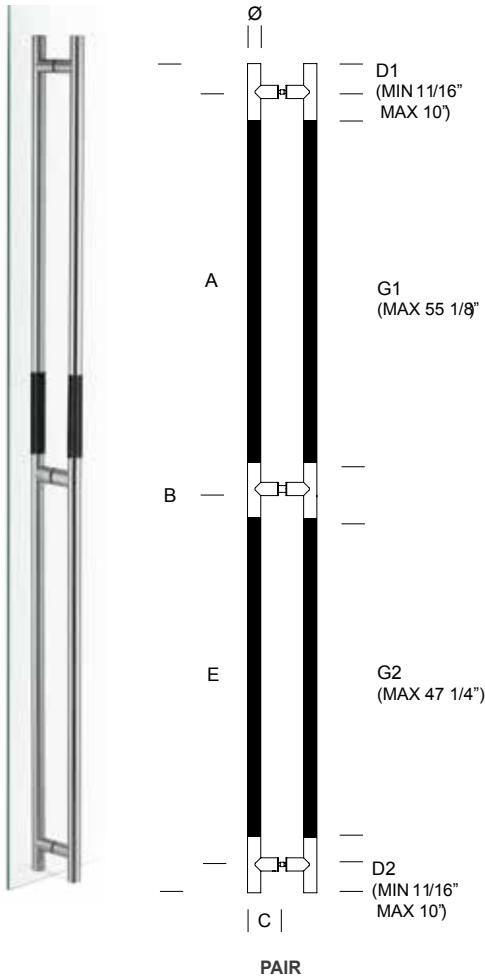
THESE PRODUCTS CONTRIBUTE TO LEED® CREDITS

THE MANUFACTURER RESERVES THE RIGHT TO ALTER,
IMPROVE AND DISCONTINUE ANY FEATURES OF THE PRODUCT
(MAKE CHANGES AND IMPROVEMENTS IN DESIGNS AND
DIMENSIONS) WITHOUT NOTICE.

ALL DIMENSIONS IN THE CATALOG DRAWINGS ARE APPROXIMATIONS.
REQUEST THE APPROPRIATE TECHNICAL DRAWING BEFORE DOOR
PREPARATION AND INSTALLATION.



UNIVERSAL
NON LOCKING
FULL SIZE



INDICATIVE PICTURE

ITEM	A	B	C	D	E	G1-G2	Ø
KLL.0G4.9999 .xx	custom	custom	80 mm 3 1/8"	custom	custom	custom	35 mm 1 3/8"

.XX = FINISH CODE

LEATHER	STAINLESS STEEL
.4H BLACK PF	SATIN STAINLESS STEEL (ANSI/BHMA 630 - USD32D)
.3H BLACK PF	BRIGHT STAINLESS STEEL (ANSI/BHMA 629 - USD32)
.4P BROWN PF	SATIN STAINLESS STEEL (ANSI/BHMA 630 - USD32D)
.3P BROWN PF	BRIGHT STAINLESS STEEL (ANSI/BHMA 629 - USD32)

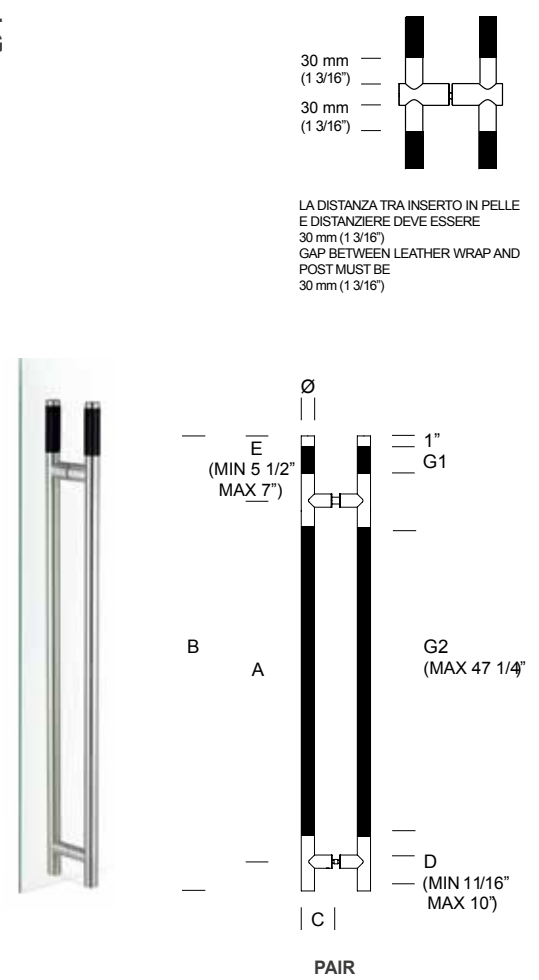
STAINLESS STEEL POWDER-COATED ON REQUEST

.40	BLACK RAL 9005 MAT - TO MATCH WITH PBA BLACK ALUMINUM
.26	BLACK RAL 9005 GLOSSY
.31	WHITE RAL 9010
.32	GREY
.38	CHAMPAGNE
.39	BRONZE - TO MATCH WITH PBA BRONZE ALUMINUM
.36	ARCHITECTURAL BRONZE
.56	MEDIUM BRONZE
.41	SILVER
.55	GOLD

.99 COLOURS ON REQUEST TO MATCH ANY RAL #
(screws, grub screws and plastic parts non powdercoated)
available on request depending on quantities

EDGE COMPONENT:
BLACK FOR DARK COLOR POWDER
GREY FOR LIGHT COLOR POWDER AND STAINLESS STEEL

UNIVERSAL
NON LOCKING
HALF SIZE



INDICATIVE PICTURE

ITEM	A	B	C	D	E	G1-G2	Ø
KLL.0G2.9999 .xx	custom	custom	80 mm 3 1/8"	custom	custom	custom	35 mm 1 3/8"

CERTIFICATION LEATHER PF:



THESE PRODUCTS CONTRIBUTE TO LEED® CREDITS

DOOR PREPARATION:
DP4 (UNIVERSAL NO LOCKING FULL SIZE)
DP5 (UNIVERSAL NO LOCKING HALF SIZE)
page K-Lock_237 - pageK-Lock_238

SPACERS FOR DOUBLE GLAZED DOOR
2CC.KIT.0010 (UNIVERSAL NO LOCKING FULL SIZE)
2CC.KIT.0009 (UNIVERSAL NO LOCKING HALF SIZE)
page K-Lock_231 - pageK-Lock_232

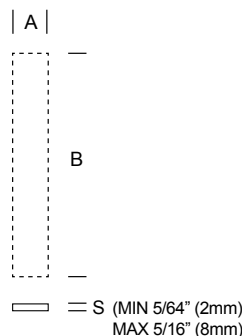
BACK TO BACK FIXING KIT ALWAYS INCLUDED
SUITABLE FOR GLASS / WOOD / METAL DOOR

THE MANUFACTURER RESERVES THE RIGHT TO ALTER,
IMPROVE AND DISCONTINUE ANY FEATURES OF THE PRODUCT
(MAKE CHANGES AND IMPROVEMENTS IN DESIGNS AND
DIMENSIONS) WITHOUT NOTICE.

ALL DIMENSIONS IN THE CATALOG DRAWINGS ARE APPROXIMATIONS.
REQUEST THE APPROPRIATE TECHNICAL DRAWING BEFORE DOOR
PREPARATION AND INSTALLATION.

STAINLESS STEEL PLATE / PLAQUE ON REQUEST - PLACCA / PIASTRA A MISURA IN ACCIAIO INOX

ITEM	A	B	S
2MM.PLA.9999 .xx	custom	custom	custom



AVAILABLE WITH HOLES FOR FIXING WITH SCREWS OR
WITHOUT HOLES FOR GLUING.
FIXINGS NOT INCLUDED

DISPONIBILE CON FORI PER FISSAGGIO CON VITI O SENZA
FORI PER INCOLLAGGIO.
FISSAGGI NON INCLUSI.

.XX = FINISH CODE

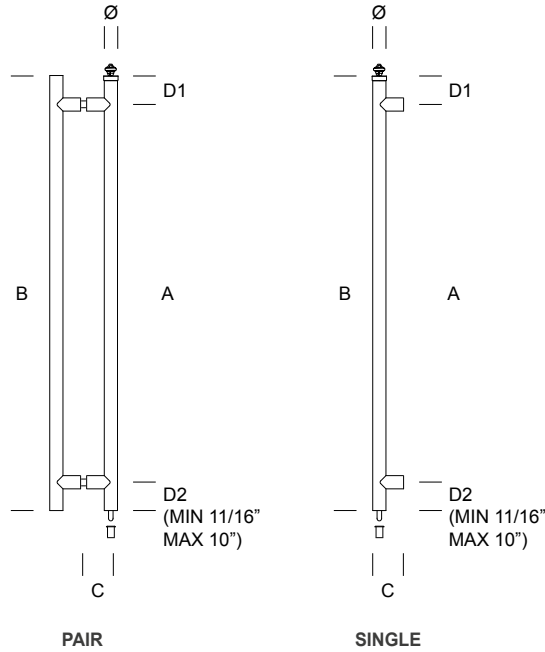
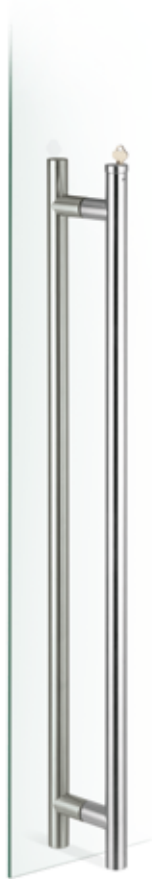
STAINLESS STEEL	
.43	BRIGHT STAINLESS STEEL (ANSI/BHMA 629 - USD32)
.44	SATIN STAINLESS STEEL (ANSI/BHMA 630 - USD32D)

STAINLESS STEEL POWDER-COATED ON REQUEST

.40	BLACK RAL 9005 MAT - TO MATCH WITH PBA BLACK ALUMINUM
.26	BLACK RAL 9005 GLOSSY
.31	WHITE RAL 9010
.32	GREY
.38	CHAMPAGNE
.39	BRONZE - TO MATCH WITH PBA BRONZE ALUMINUM
.36	ARCHITECTURAL BRONZE
.56	MEDIUM BRONZE
.41	SILVER
.55	GOLD

.99 COLOURS ON REQUEST TO MATCH ANY RAL # (screws, grub screws and
plastic parts non powdercoated) available on request depending on quantities




LOCKING
HALF SIZE



CYLINDER NOT INCLUDED



BRAND OF COMPATIBLE RIM CYLINDER:	
- ARROW	- BEST
- CORBIN RUSSWIN	- KABAILCO
- MEDECO	- SARGENT
- SCHLAGE	- YALE

	ITEM	A	B	C	D1	D2	Ø
PAIR	 KLO.V03.00UD. xx	1000 mm 39 3/8"	1150 mm 45 1/4"	80 mm 3 1/8"	75 mm 2 15/16"	75 mm 2 15/16"	35 mm 1 3/8"
	 KLO.V03.99UD. xx	custom	custom	80 mm 3 1/8"	75 mm 2 15/16"	custom	35 mm 1 3/8"
SINGLE	 KLO.V03.000U. xx	1000 mm 39 3/8"	1150 mm 45 1/4"	80 mm 3 1/8"	75 mm 2 15/16"	75 mm 2 15/16"	35 mm 1 3/8"
	 KLO.V03.999U. xx	custom	custom	80 mm 3 1/8"	75 mm 2 15/16"	custom	35 mm 1 3/8"

.XX = FINISH CODE

- STAINLESS STEEL**
- .43 BRIGHT STAINLESS STEEL (ANSI/BHMA 629 - USD32)
 - .44 SATIN STAINLESS STEEL (ANSI/BHMA 630 - USD32D)
- STAINLESS STEEL POWDER-COATED ON REQUEST**
- .40 BLACK RAL 9005 MAT - TO MATCH WITH PBA BLACK ALUMINUM
 - .26 BLACK RAL 9005 GLOSSY
 - .31 WHITE RAL 9010
 - .32 GREY
 - .38 CHAMPAGNE
 - .39 BRONZE - TO MATCH WITH PBA BRONZE ALUMINUM
 - .36 ARCHITECTURAL BRONZE
 - .56 MEDIUM BRONZE
 - .41 SILVER
 - .55 GOLD

- .99 COLOURS ON REQUEST TO MATCH ANY RAL #
(screws, grub screws and plastic parts non powdercoated)
available on request depending on quantities

EDGE COMPONENT:
BLACK FOR DARK COLOR POWDER
GREY FOR LIGHT COLOR POWDER AND STAINLESS STEEL

DOOR PREPARATION DP5
page K-Lock_238

FIXING D page Pulls_107
SOLD SEPARATELY

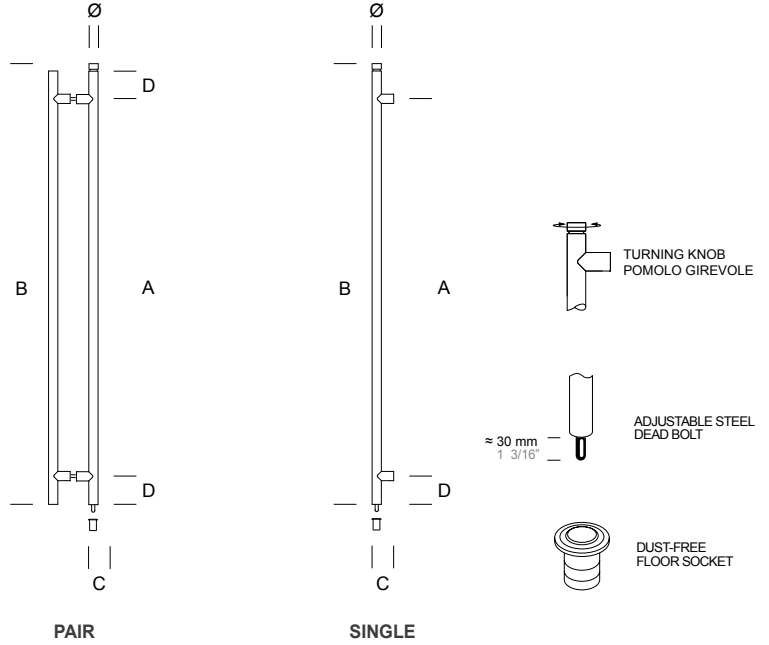
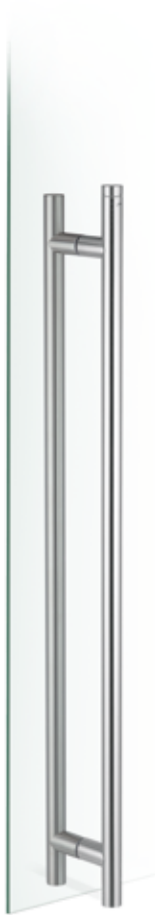
THESE PRODUCTS CONTRIBUTE TO **LEED®** CREDITS

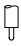
THE MANUFACTURER RESERVES THE RIGHT TO ALTER, IMPROVE AND DISCONTINUE ANY FEATURES OF THE PRODUCT (MAKE CHANGES AND IMPROVEMENTS IN DESIGNS AND DIMENSIONS) WITHOUT NOTICE.

ALL DIMENSIONS IN THE CATALOG DRAWINGS ARE APPROXIMATIONS. REQUEST THE APPROPRIATE TECHNICAL DRAWING BEFORE DOOR PREPARATION AND INSTALLATION.



LOCKING
HALF SIZE



	ITEM	A	B	C	D	Ø
PAIR	 KLO.V01.0PMD. xx	1000 mm 39 3/8"	1170 mm 46 1/16"	70 mm 2 3/4"	75 mm 2 15/16"	25 mm 1"
	KLO.V01.9PMD. xx	custom	custom	70 mm 2 3/4"	75 mm 2 15/16"	25 mm 1"
SINGLE	 KLO.V01.00PM. xx	1000 mm 39 3/8"	1170 mm 46 1/16"	70 mm 2 3/4"	75 mm 2 15/16"	25 mm 1"
	KLO.V01.99PM. xx	custom	custom	70 mm 2 3/4"	75 mm 2 15/16"	25 mm 1"

.XX = FINISH CODE

STAINLESS STEEL

- .43 BRIGHT STAINLESS STEEL (ANSI/BHMA 629 - USD32)
- .44 SATIN STAINLESS STEEL (ANSI/BHMA 630 - USD32D)

STAINLESS STEEL POWDER-COATED ON REQUEST

- .40 BLACK RAL 9005 MAT - TO MATCH WITH PBA BLACK ALUMINUM
- .26 BLACK RAL 9005 GLOSSY
- .31 WHITE RAL 9010
- .32 GREY
- .38 CHAMPAGNE
- .39 BRONZE - TO MATCH WITH PBA BRONZE ALUMINUM
- .36 ARCHITECTURAL BRONZE
- .56 MEDIUM BRONZE
- .41 SILVER
- .55 GOLD

- .99 COLOURS ON REQUEST TO MATCH ANY RAL #
(screws, grub screws and plastic parts non powdercoated)
available on request depending on quantities

EDGE COMPONENT:

- BLACK FOR DARK COLOR POWDER
- GREY FOR LIGHT COLOR POWDER AND STAINLESS STEEL

DOOR PREPARATION DPS
page K-Lock_238

FIXING D page Pulls_107
SOLD SEPARATELY

THESE PRODUCTS CONTRIBUTE TO LEED® CREDITS

THE MANUFACTURER RESERVES THE RIGHT TO ALTER, IMPROVE AND DISCONTINUE ANY FEATURES OF THE PRODUCT (MAKE CHANGES AND IMPROVEMENTS IN DESIGNS AND DIMENSIONS) WITHOUT NOTICE.

ALL DIMENSIONS IN THE CATALOG DRAWINGS ARE APPROXIMATIONS. REQUEST THE APPROPRIATE TECHNICAL DRAWING BEFORE DOOR PREPARATION AND INSTALLATION.



PROGRAMMA K-LOCK
DIGITAL

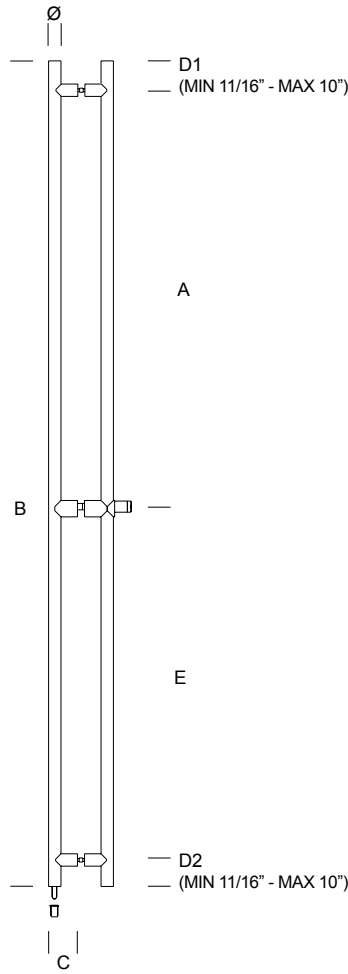


SUPPORTO
POST

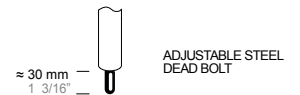


KABA CILINDRO DIGITALE KABA
KABA DIGITAL CYLINDER



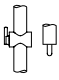
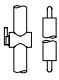
LOCKING
FULL SIZE



KABA
digital cylinder inside



PAIR

	ITEM	A	B	C	D	E	Ø
PAIR	 KLD.Y03.0000 . xx	1050 mm 41 11/32"	2200 mm 86 5/8"	80 mm 3 1/8"	75 mm 2 15/16"	1000 mm 39 3/8"	35 mm 1 3/8"
	KLD.Y03.9999 . xx	custom	custom	80 mm 3 1/8"	custom	custom	35 mm 1 3/8"
PAIR	 KLD.Y05.0000 . xx	1050 mm 41 11/32"	2200 mm 86 5/8"	80 mm 3 1/8"	custom	custom	35 mm 1 3/8"
	KLD.Y05.9999 . xx	custom	custom	80 mm 3 1/8"	custom	custom	35 mm 1 3/8"
PAIR	 KLD.Y04.0000 . xx	1050 mm 41 11/32"	2200 mm 86 5/8"	80 mm 3 1/8"	custom	custom	35 mm 1 3/8"
	KLD.Y04.9999 . xx	custom	custom	80 mm 3 1/8"	custom	custom	35 mm 1 3/8"
PAIR	 KLD.Y06.0000 . xx	1050 mm 41 11/32"	2200 mm 86 5/8"	80 mm 3 1/8"	custom	custom	35 mm 1 3/8"
	KLD.Y06.9999 . xx	custom	custom	80 mm 3 1/8"	custom	custom	35 mm 1 3/8"

.XX = FINISH CODE

STAINLESS STEEL

- .43 BRIGHT STAINLESS STEEL (ANSI/BHMA 629 - USD32)
- .44 SATIN STAINLESS STEEL (ANSI/BHMA 630 - USD32D)

STAINLESS STEEL POWDER-COATED ON REQUEST

- .40 BLACK RAL 9005 MAT - TO MATCH WITH PBA BLACK ALUMINUM
- .26 BLACK RAL 9005 GLOSSY
- .31 WHITE RAL 9010
- .32 GREY
- .38 CHAMPAGNE
- .39 BRONZE - TO MATCH WITH PBA BRONZE ALUMINUM
- .36 ARCHITECTURAL BRONZE
- .56 MEDIUM BRONZE
- .41 SILVER
- .55 GOLD

- .99 COLOURS ON REQUEST TO MATCH ANY RAL #
(screws, grub screws and plastic parts non powdercoated)
available on request depending on quantities

EDGE COMPONENT:

- BLACK FOR DARK COLOR POWDER
- GREY FOR LIGHT COLOR POWDER AND STAINLESS STEEL

PROGRAMMING CARD, USER CARD ,KEY-FOB AND KEY FOR
BATTERY REPLACEMENT OF DIGITAL CYLINDER INCLUDED

DOOR PREPARATION DP1
page K-Lock_234

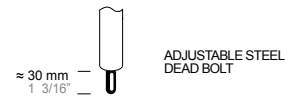
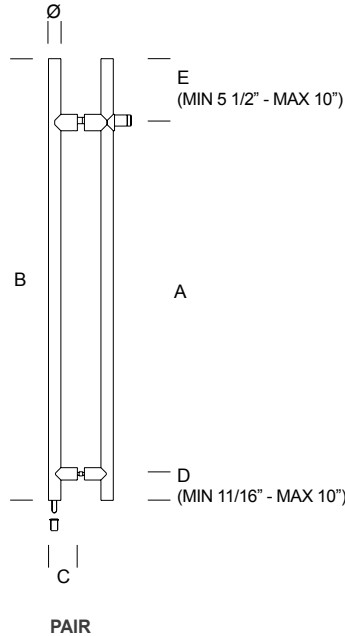
KABA CYLINDER DETAILS
page K-Lock_229


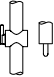
STRIKE DETAILS
page K-Lock_228

THESE PRODUCTS CONTRIBUTE TO LEED® CREDITS

ALL DIMENSIONS IN THE CATALOG DRAWINGS ARE APPROXIMATIONS.
REQUEST THE APPROPRIATE TECHNICAL DRAWING BEFORE DOOR
PREPARATION AND INSTALLATION.

LOCKING
HALF SIZE



	ITEM	A	B	C	D	E	Ø
PAIR	 KLD.Y01.0000.xx	1000 mm 39 3/8"	1250 mm 49 1/4"	80 mm 3 1/8"	75 mm 2 15/16"	175 mm 6 7/8"	35 mm 1 3/8"
	KLD.Y01.9999.xx	custom	custom	80 mm 3 1/8"	custom	custom	35 mm 1 3/8"
PAIR	 KLD.Y02.0000.xx	1000 mm 39 3/8"	1250 mm 49 1/4"	80 mm 3 1/8"	75 mm 2 15/16"	175 mm 6 7/8"	35 mm 1 3/8"
	KLD.Y02.9999.xx	custom	custom	80 mm 3 1/8"	custom	custom	35 mm 1 3/8"

.XX = FINISH CODE

STAINLESS STEEL

- .43 BRIGHT STAINLESS STEEL (ANSI/BHMA 629 - USD32)
- .44 SATIN STAINLESS STEEL (ANSI/BHMA 630 - USD32D)

STAINLESS STEEL POWDER-COATED ON REQUEST

- .40 BLACK RAL 9005 MAT - TO MATCH WITH PBA BLACK ALUMINUM
- .26 BLACK RAL 9005 GLOSSY
- .31 WHITE RAL 9010
- .32 GREY
- .38 CHAMPAGNE
- .39 BRONZE - TO MATCH WITH PBA BRONZE ALUMINUM
- .36 ARCHITECTURAL BRONZE
- .56 MEDIUM BRONZE
- .41 SILVER
- .55 GOLD

- .99 COLOURS ON REQUEST TO MATCH ANY RAL #
(screws, grub screws and plastic parts non powdercoated)
available on request depending on quantities

EDGE COMPONENT:

- BLACK FOR DARK COLOR POWDER
- GREY FOR LIGHT COLOR POWDER AND STAINLESS STEEL

PROGRAMMING CARD, USER CARD ,KEY-FOB AND KEY FOR
BATTERY REPLACEMENT OF DIGITAL CYLINDER INCLUDED

DOOR PREPARATION DP1
page K-Lock_234

KABA CYLINDER DETAILS
page K-Lock_229

STRIKE DETAILS
page K-Lock_228

THESE PRODUCTS CONTRIBUTE TO LEED® CREDITS

ALL DIMENSIONS IN THE CATALOG DRAWINGS ARE APPROXIMATIONS.
REQUEST THE APPROPRIATE TECHNICAL DRAWING BEFORE DOOR
PREPARATION AND INSTALLATION.

PROGRAMMA K-LOCK KLA

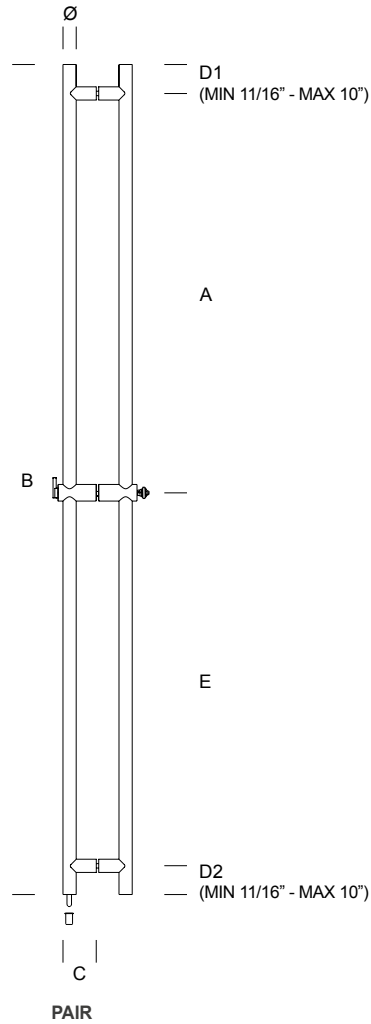


SUPPORTO
POST



CILINDRO PROFILO AMERICANO RIM
AMERICAN RIM CYLINDER

LOCKING
FULL SIZE



P B A
PATENTED
SYSTEM

PATENT
102019000012465

CYLINDER NOT INCLUDED



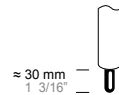
RIM CYLINDER
WITH IC



RIM CYLINDER



ADA COMPLIANT
THUMBTURN



ADJUSTABLE STEEL
DEAD BOLT



DUST-FREE
FLOOR SOCKET

BRAND OF COMPATIBLE RIM CYLINDER:

- ARROW
- CORBIN RUSSWIN
- MEDECO
- SCHLAGE
- BEST
- KABAILCO
- SARGENT
- YALE

	ITEM	A	B	C	D1	D2	E	Ø
PAIR	KLA.AD4.000U. xx	1050 mm 41 11/32"	2200 mm 86 5/8"	85 mm 3 11/32"	75 mm 2 15/16"	75 mm 2 15/16"	1000 mm 39 3/8"	37 mm 1 29/64"
BOTTOM LOCKING	KLA.AD4.0U72. xx	custom	1828 mm 72"	85 mm 3 11/32"	custom	custom	custom	37 mm 1 29/64"
	KLA.AD4.0U84. xx	custom	2133 mm 84"	85 mm 3 11/32"	custom	custom	custom	37 mm 1 29/64"
	KLA.AD4.999U. xx	custom	custom	85 mm 3 11/32"	custom	custom	custom	37 mm 1 29/64"
PAIR	KLA.AD6.000U. xx	1050 mm 41 11/32"	2200 mm 86 5/8"	85 mm 3 11/32"	75 mm 2 15/16"	75 mm 2 15/16"	1000 mm 39 3/8"	37 mm 1 29/64"
	KLA.AD6.999U. xx	custom	custom	85 mm 3 11/32"	custom	custom	custom	37 mm 1 29/64"

Silver Bronze Black Champagne



.XX = FINISH CODE

SATIN ANODIZED ALUMINUM

- .69 SILVER
- .67 BRONZE
- .68 BLACK
- .66 CHAMPAGNE

CUSTOM ANODIZED POLISHED FINISH NOT AVAILABLE.
OTHER CUSTOM FINISH FEASIBILITY TO BE VALIDATED BEFORE ORDER

EDGE COMPONENT:

BLACK FOR DARK COLOR POWDER
GREY FOR LIGHT COLOR POWDER

DOOR PREPARATION DP1
page K-Lock_234

SPACERS FOR DOUBLE GLAZED DOOR
KLA.KIT.99U4
page K-Lock_231 - page K-Lock_232

STRIKE DETAILS
page K-Lock_228

DIFFERENCES IN THE FINISHING OF (DIFFERENT) COMPONENTS ARE DUE TO THE DIFFERENT PRODUCTION METHODS. THESE VARIATIONS ARE NOT CONSIDERED DEFECTS AND ARE A NATURAL RESULT OF THE FINISHING PROCESS.

THESE PRODUCTS CONTRIBUTE TO LEED® CREDITS

ALL DIMENSIONS IN THE CATALOG DRAWINGS ARE APPROXIMATIONS. REQUEST THE APPROPRIATE TECHNICAL DRAWING BEFORE DOOR PREPARATION AND INSTALLATION.



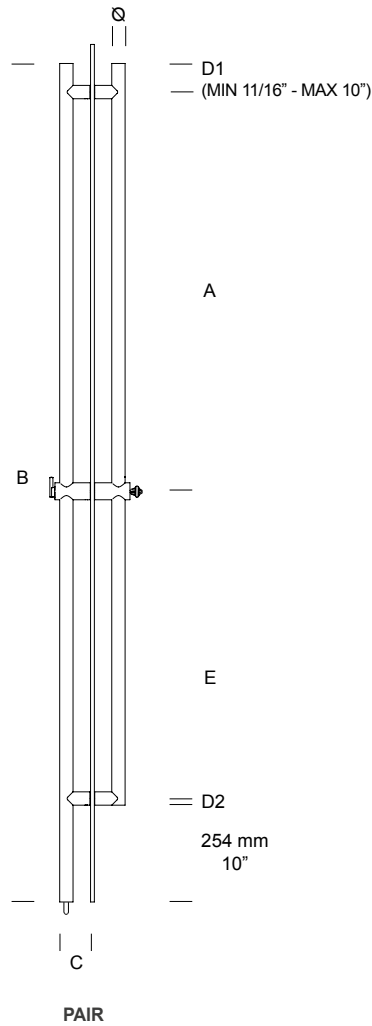
Declare

COMBINED NON LOCKING
page K-Lock_140

ITEM
KLA.0G4.000U
KLA.0G4.999U
KLA.0G4.0U72
KLA.0G4.0U84



LOCKING
FULL SIZE



ADA
10"
clearance
layout



PATENT
102019000012465

CYLINDER NOT INCLUDED



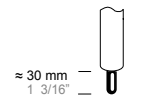
RIM CYLINDER
WITH IC



RIM CYLINDER



ADA COMPLIANT
THUMBTURN



ADJUSTABLE STEEL
DEAD BOLT

≈ 30 mm
1 3/16"



DUST-FREE
FLOOR SOCKET

BRAND OF COMPATIBLE RIM CYLINDER:

- ARROW	- BEST
- CORBIN RUSSWIN	- KABAILCO
- MEDECO	- SARGENT
- SCHLAGE	- YALE

PAIR

BOTTOM
LOCKING



ITEM	A	B	C	D1	D2	E	Ø
KLA.AD4.00TU. xx	1050 mm 41 11/32"	2200 mm 86 5/8"	85 mm 3 11/32"	75 mm 2 15/16"	17,5 mm 11/16"	802 mm 31 9/16"	37 mm 1 29/64"
KLA.AD4.TU72. xx	custom	1828 mm 72"	85 mm 3 11/32"	custom	17,5 mm 11/16"	custom	37 mm 1 29/64"
KLA.AD4.TU84. xx	custom	2133 mm 84"	85 mm 3 11/32"	custom	17,5 mm 11/16"	custom	37 mm 1 29/64"
KLA.AD4.99TU. xx	custom	custom	85 mm 3 11/32"	custom"	17,5 mm 11/16"	custom	37 mm 1 29/64"

Silver Bronze Black Champagne



.XX = FINISH CODE

SATIN ANODIZED ALUMINUM

- .69 SILVER
- .67 BRONZE
- .68 BLACK
- .66 CHAMPAGNE

CUSTOM ANODIZED POLISHED FINISH NOT AVAILABLE.
OTHER CUSTOM FINISH FEASIBILITY TO BE VALIDATED BEFORE ORDER

EDGE COMPONENT:
BLACK FOR DARK COLOR POWDER
GREY FOR LIGHT COLOR POWDER

DOOR PREPARATION DP1
page K-Lock_234

SPACERS FOR DOUBLE GLAZED DOOR
KLA.KIT.99U4
page K-Lock_231 - page K-Lock_232

DIFFERENCES IN THE FINISHING OF (DIFFERENT) COMPONENTS ARE DUE TO THE DIFFERENT PRODUCTION METHODS. THESE VARIATIONS ARE NOT CONSIDERED DEFECTS AND ARE A NATURAL RESULT OF THE FINISHING PROCESS.

THESE PRODUCTS CONTRIBUTE TO LEED® CREDITS

ALL DIMENSIONS IN THE CATALOG DRAWINGS ARE APPROXIMATIONS. REQUEST THE APPROPRIATE TECHNICAL DRAWING BEFORE DOOR PREPARATION AND INSTALLATION.

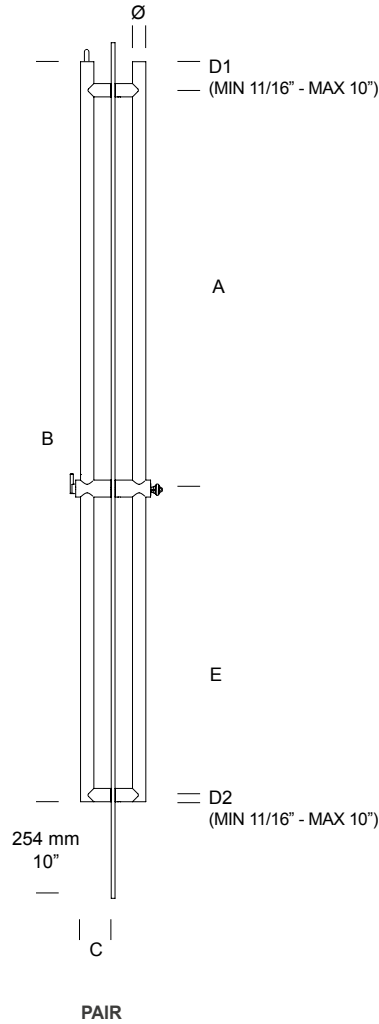


COMBINED NON LOCKING
page K-Lock_141

ITEM
KLA.0G4.00TU
KLA.0G4.99TU
KLA.0G4.TU72
KLA.0G4.TU84



LOCKING
FULL SIZE



ADA
10"
clearance
Layout



PATENT
102019000012465

CYLINDER NOT INCLUDED



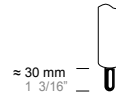
RIM CYLINDER
WITH IC



RIM CYLINDER



ADA COMPLIANT
THUMBTURN



ADJUSTABLE STEEL
DEAD BOLT



DUST-FREE
FLOOR SOCKET

BRAND OF COMPATIBLE RIM CYLINDER:

- ARROW	- BEST
- CORBIN RUSSWIN	- KABAILCO
- MEDECO	- SARGENT
- SCHLAGE	- YALE

PAIR



ITEM	A	B	C	D1	D2	E	Ø
KLA.AD4.00RU. xx	1050 mm 41 11/32"	1945 mm 76 9/16"	85 mm 3 11/32"	75 mm 2 15/16"	17,5 mm 11/16"	802 mm 31 9/16"	37 mm 1 29/64"
KLA.AD4.RU72. xx	custom	1828 mm 72"	85 mm 3 11/32"	custom	custom	custom	37 mm 1 29/64"
KLA.AD4.99RU. xx	custom	custom	85 mm 3 11/32"	custom	custom	custom	37 mm 1 29/64"

TOP
LOCKING

Silver Bronze Black Champagne



.XX = FINISH CODE

SATIN ANODIZED ALUMINUM

- .69 SILVER
- .67 BRONZE
- .68 BLACK
- .66 CHAMPAGNE

CUSTOM ANODIZED POLISHED FINISH NOT AVAILABLE.
OTHER CUSTOM FINISH FEASIBILITY TO BE VALIDATED BEFORE ORDER

EDGE COMPONENT:
BLACK FOR DARK COLOR POWDER
GREY FOR LIGHT COLOR POWDER

DOOR PREPARATION DP1
page K-Lock_234

SPACERS FOR DOUBLE GLAZED DOOR
KLA.KIT.99U4
page K-Lock_231 - page K-Lock_232

STRIKE DETAILS
page K-Lock_228

DIFFERENCES IN THE FINISHING OF (DIFFERENT) COMPONENTS ARE DUE TO THE DIFFERENT PRODUCTION METHODS. THESE VARIATIONS ARE NOT CONSIDERED DEFECTS AND ARE A NATURAL RESULT OF THE FINISHING PROCESS.

THESE PRODUCTS CONTRIBUTE TO LEED® CREDITS

ALL DIMENSIONS IN THE CATALOG DRAWINGS ARE APPROXIMATIONS. REQUEST THE APPROPRIATE TECHNICAL DRAWING BEFORE DOOR PREPARATION AND INSTALLATION.

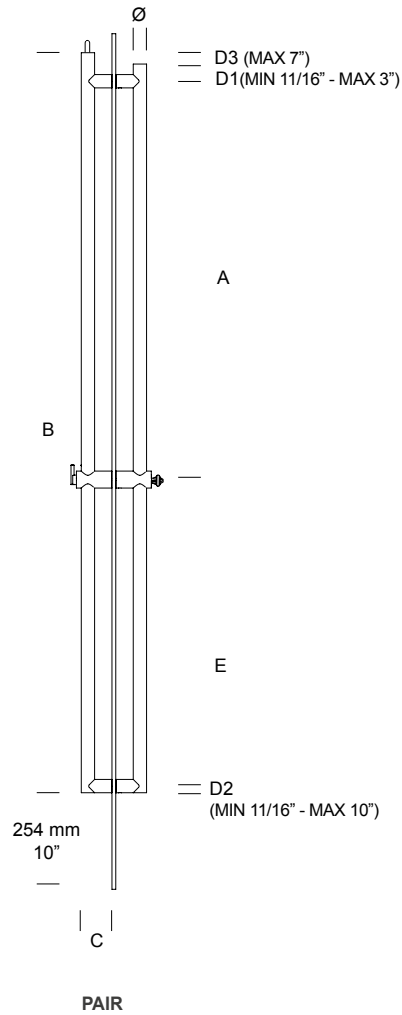


COMBINED NON LOCKING
page K-Lock_142

ITEM
KLA.0G4.00RU
KLA.0G4.99RU
KLA.0G4.RU72



LOCKING
FULL SIZE



ADA
10"
clearance
layout



PATENT
102019000012465

CYLINDER NOT INCLUDED



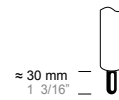
RIM CYLINDER
WITH IC



RIM CYLINDER



ADA COMPLIANT
THUMBTURN



ADJUSTABLE STEEL
DEAD BOLT



DUST-FREE
FLOOR SOCKET

BRAND OF COMPATIBLE RIM CYLINDER:	
- ARROW	- BEST
- CORBIN RUSSWIN	- KABAILCO
- MEDECO	- SARGENT
- SCHLAGE	- YALE

PAIR

TOP
LOCKING



ITEM	A	B	C	D1	D2	D3	E	Ø
KLA.AD4.9ZU1. xx	custom	custom	85 mm 3 11/32"	custom	custom	custom	custom	37 mm 1 29/64"

Silver Bronze Black Champagne



.XX = FINISH CODE

SATIN ANODIZED ALUMINUM

- .69 SILVER
- .67 BRONZE
- .68 BLACK
- .66 CHAMPAGNE

CUSTOM ANODIZED POLISHED FINISH NOT AVAILABLE.
OTHER CUSTOM FINISH FEASIBILITY TO BE VALIDATED BEFORE ORDER

EDGE COMPONENT:

BLACK FOR DARK COLOR POWDER
GREY FOR LIGHT COLOR POWDER

DOOR PREPARATION DP1
page K-Lock_234

SPACERS FOR DOUBLE GLAZED DOOR
KLA.KIT.99U4
page K-Lock_231 - page K-Lock_232

STRIKE DETAILS
page K-Lock_228

DIFFERENCES IN THE FINISHING OF (DIFFERENT) COMPONENTS ARE DUE TO THE DIFFERENT PRODUCTION METHODS. THESE VARIATIONS ARE NOT CONSIDERED DEFECTS AND ARE A NATURAL RESULT OF THE FINISHING PROCESS.

THESE PRODUCTS CONTRIBUTE TO LEED® CREDITS

ALL DIMENSIONS IN THE CATALOG DRAWINGS ARE APPROXIMATIONS. REQUEST THE APPROPRIATE TECHNICAL DRAWING BEFORE DOOR PREPARATION AND INSTALLATION.

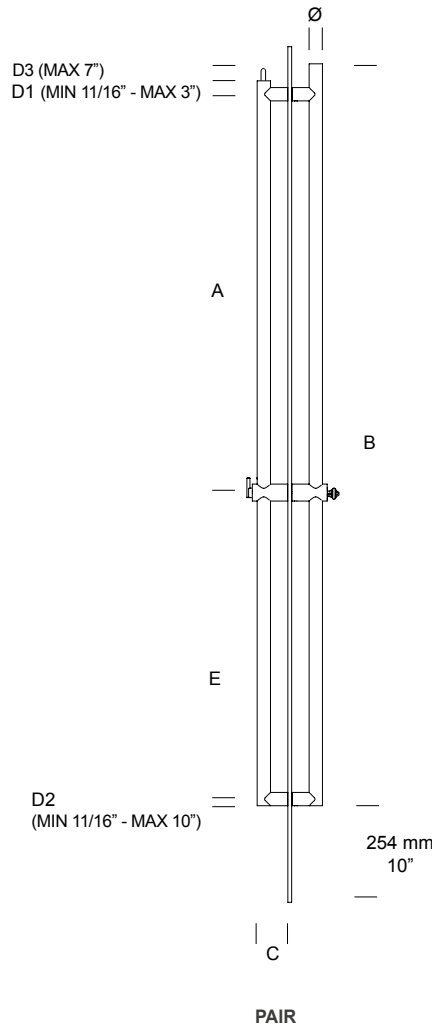


COMBINED NON LOCKING
page K-Lock_143

ITEM
KLA.0G4.99ZU



LOCKING
FULL SIZE



ADA
10"
clearance
Layout



PATENT
102019000012465

CYLINDER NOT INCLUDED



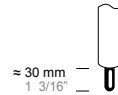
RIM CYLINDER
WITH IC



RIM CYLINDER



ADA COMPLIANT
THUMBTURN



ADJUSTABLE STEEL
DEAD BOLT



DUST-FREE
FLOOR SOCKET

BRAND OF COMPATIBLE RIM CYLINDER:

- ARROW	- BEST
- CORBIN RUSSWIN	- KABAILCO
- MEDECO	- SARGENT
- SCHLAGE	- YALE

ITEM	A	B	C	D1	D2	D3	E	Ø
PAIR TOP LOCKING	KLA.AD4.9ZU2. xx	custom	custom	85 mm 3 11/32"	custom	custom	custom	37 mm 1 29/64"

Silver Bronze Black Champagne



.XX = FINISH CODE

- SATIN ANODIZED ALUMINUM**
- .69 SILVER
 - .67 BRONZE
 - .68 BLACK
 - .66 CHAMPAGNE

CUSTOM ANODIZED POLISHED FINISH NOT AVAILABLE.
OTHER CUSTOM FINISH FEASIBILITY TO BE VALIDATED BEFORE ORDER

EDGE COMPONENT:
BLACK FOR DARK COLOR POWDER
GREY FOR LIGHT COLOR POWDER

DOOR PREPARATION DP1
page K-Lock_234

SPACERS FOR DOUBLE GLAZED DOOR
KLA.KIT.99U4
page K-Lock_231 - page K-Lock_232

STRIKE DETAILS
page K-Lock_228

DIFFERENCES IN THE FINISHING OF (DIFFERENT) COMPONENTS ARE DUE TO THE DIFFERENT PRODUCTION METHODS. THESE VARIATIONS ARE NOT CONSIDERED DEFECTS AND ARE A NATURAL RESULT OF THE FINISHING PROCESS.

THESE PRODUCTS CONTRIBUTE TO **LEED®** CREDITS

ALL DIMENSIONS IN THE CATALOG DRAWINGS ARE APPROXIMATIONS. REQUEST THE APPROPRIATE TECHNICAL DRAWING BEFORE DOOR PREPARATION AND INSTALLATION.

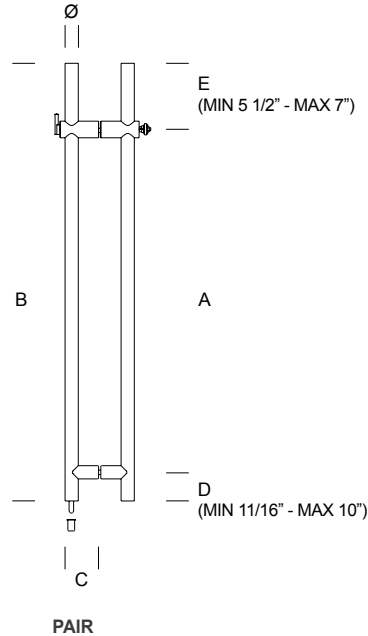
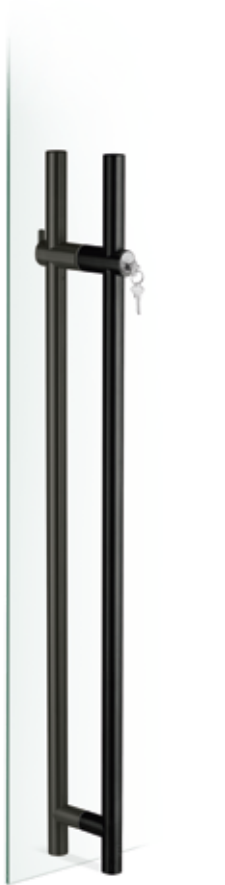


COMBINED NON LOCKING
page K-Lock_143

ITEM
KLA.0G4.99ZU



LOCKING
HALF SIZE



PBA
PATENTED
SYSTEM

PATENT
102019000012465

CYLINDER NOT INCLUDED



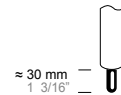
RIM CYLINDER
WITH IC



RIM CYLINDER



ADA COMPLIANT
THUMBTURN



ADJUSTABLE STEEL
DEAD BOLT



DUST-FREE
FLOOR SOCKET

BRAND OF COMPATIBLE RIM CYLINDER:

- ARROW
- CORBIN RUSSWIN
- MEDECO
- SCHLAGE
- BEST
- KABAILCO
- SARGENT
- YALE

	ITEM	A	B	C	D	E	Ø
PAIR	KLA.AD2.000U. xx	1000 mm 39 3/8"	1250 mm 49 1/4"	85 mm 3 11/32"	75 mm 2 15/16"	175 mm 6 7/8"	37 mm 1 29/64"
BOTTOM LOCKING	KLA.AD2.0U48. xx	custom	1219 mm 48"	85 mm 3 11/32"	custom	custom	37 mm 1 29/64"
	KLA.AD2.0U60. xx	custom	1524 mm 60"	85 mm 3 11/32"	custom	custom	37 mm 1 29/64"
	KLA.AD2.999U. xx	custom	custom	85 mm 3 11/32"	custom	custom	37 mm 1 29/64"

Silver Bronze Black Champagne



.XX = FINISH CODE

SATIN ANODIZED ALUMINUM
.69 SILVER
.67 BRONZE
.68 BLACK
.66 CHAMPAGNE

CUSTOM ANODIZED POLISHED FINISH NOT AVAILABLE.
OTHER CUSTOM FINISH FEASIBILITY TO BE VALIDATED BEFORE ORDER

EDGE COMPONENT:
BLACK FOR DARK COLOR POWDER
GREY FOR LIGHT COLOR POWDER

DOOR PREPARATION DP2
page K-Lock_235

SPACERS FOR DOUBLE GLAZED DOOR
KLA.KIT.99U2
page K-Lock_231 - page K-Lock_232

DIFFERENCES IN THE FINISHING OF (DIFFERENT) COMPONENTS ARE DUE TO THE DIFFERENT PRODUCTION METHODS. THESE VARIATIONS ARE NOT CONSIDERED DEFECTS AND ARE A NATURAL RESULT OF THE FINISHING PROCESS.

THESE PRODUCTS CONTRIBUTE TO LEED® CREDITS

ALL DIMENSIONS IN THE CATALOG DRAWINGS ARE APPROXIMATIONS. REQUEST THE APPROPRIATE TECHNICAL DRAWING BEFORE DOOR PREPARATION AND INSTALLATION.

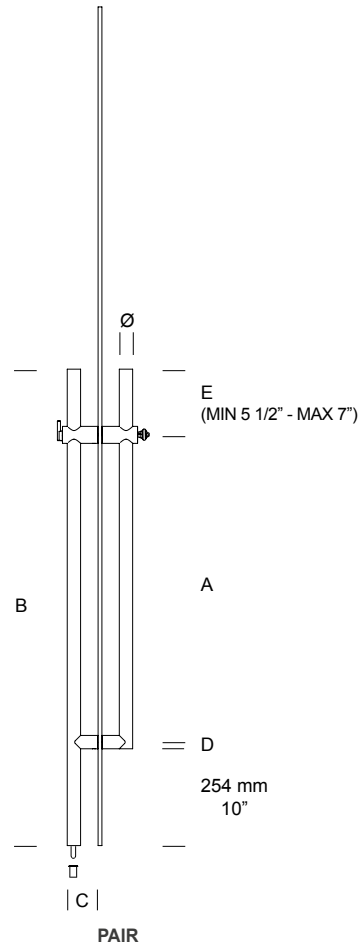


COMBINED NON LOCKING
page K-Lock_144

ITEM
KLA.0G2.000U
KLA.0G2.999U
KLA.0G2.0U48
KLA.0G2.0U60



LOCKING
HALF SIZE



ADA
10"
clearance
Layout



PATENT
102019000012465

CYLINDER NOT INCLUDED



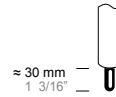
RIM CYLINDER
WITH IC



RIM CYLINDER



ADA COMPLIANT
THUMBTURN



ADJUSTABLE STEEL
DEAD BOLT



DUST-FREE
FLOOR SOCKET

- BRAND OF COMPATIBLE RIM CYLINDER:**
- ARROW
 - CORBIN RUSSWIN
 - MEDECO
 - SCHLAGE
 - BEST
 - KABAILCO
 - SARGENT
 - YALE

	ITEM	A	B	C	D	E	Ø
PAIR	KLA.AD2.00TU. xx	802 mm 31 9/16"	1250 mm 49 1/4"	85 mm 3 11/32"	17,5 mm 11/16"	175 mm 6 7/8"	37 mm 1 29/64"
BOTTOM LOCKING	KLA.AD2.TU48. xx	custom	1219 mm 48"	85 mm 3 11/32"	17,5 mm 11/16"	custom	37 mm 1 29/64"
	KLA.AD2.TU60. xx	custom	1524 mm 60"	85 mm 3 11/32"	17,5 mm 11/16"	custom	37 mm 1 29/64"
	KLA.AD2.99TU. xx	custom	custom	85 mm 3 11/32"	17,5 mm 11/16"	custom	37 mm 1 29/64"

Silver Bronze Black Champagne



.XX = FINISH CODE

- SATIN ANODIZED ALUMINUM**
- .69 SILVER
 - .67 BRONZE
 - .68 BLACK
 - .66 CHAMPAGNE

CUSTOM ANODIZED POLISHED FINISH NOT AVAILABLE.
OTHER CUSTOM FINISH FEASIBILITY TO BE VALIDATED BEFORE ORDER

EDGE COMPONENT:
BLACK FOR DARK COLOR POWDER
GREY FOR LIGHT COLOR POWDER

DOOR PREPARATION DP2
page K-Lock_235

SPACERS FOR DOUBLE GLAZED DOOR
KLA.KIT.99U2
page K-Lock_231 - page K-Lock_232

DIFFERENCES IN THE FINISHING OF (DIFFERENT) COMPONENTS ARE DUE TO THE DIFFERENT PRODUCTION METHODS. THESE VARIATIONS ARE NOT CONSIDERED DEFECTS AND ARE A NATURAL RESULT OF THE FINISHING PROCESS.

THESE PRODUCTS CONTRIBUTE TO **LEED®** CREDITS

ALL DIMENSIONS IN THE CATALOG DRAWINGS ARE APPROXIMATIONS. REQUEST THE APPROPRIATE TECHNICAL DRAWING BEFORE DOOR PREPARATION AND INSTALLATION.



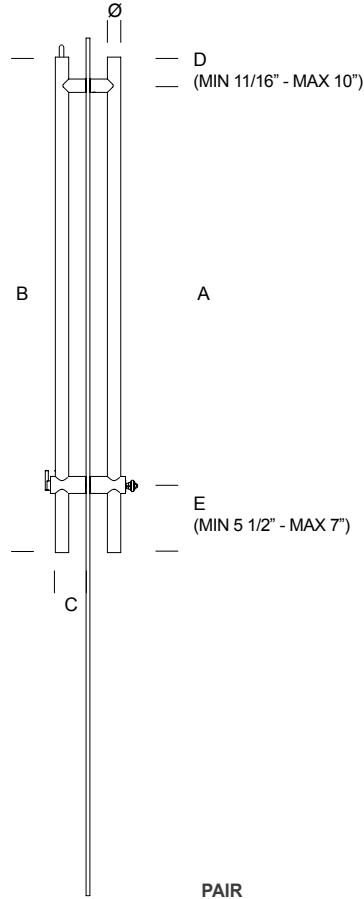
Declare.

COMBINED NON LOCKING
page K-Lock_145

ITEM
KLA.0G2.00TU
KLA.0G2.99TU
KLA.0G2.0T48
KLA.0G2.0T60



LOCKING
HALF SIZE



ADA
10"
clearance
layout



PATENT
102019000012465

CYLINDER NOT INCLUDED



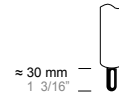
RIM CYLINDER
WITH IC



RIM CYLINDER



ADA COMPLIANT
THUMBTURN



ADJUSTABLE STEEL
DEAD BOLT



DUST-FREE
FLOOR SOCKET

- BRAND OF COMPATIBLE RIM CYLINDER:**
- ARROW
 - CORBIN RUSSWIN
 - MEDECO
 - SCHLAGE
 - BEST
 - KABAILCO
 - SARGENT
 - YALE

PAIR

TOP
LOCKING



ITEM	A	B	C	D	E	Ø
KLA.AD2.00RU. xx	1050 mm 41 11/32"	1300 mm 51 3/16"	85 mm 3 11/32"	75 mm 2 15/16"	175 mm 6 7/8"	37 mm 1 29/64"
KLA.AD2.RU48. xx	custom	1219 mm 48"	85 mm 3 11/32"	custom	custom	37 mm 1 29/64"
KLA.AD2.RU60. xx	custom	1524 mm 60"	85 mm 3 11/32"	custom	custom	37 mm 1 29/64"
KLA.AD2.RU72. xx	custom	1828 mm 72"	85 mm 3 11/32"	custom	custom	37 mm 1 29/64"
KLA.AD2.99RU. xx	custom	custom	85 mm 3 11/32"	custom	custom	37 mm 1 29/64"

Silver Bronze Black Champagne



.XX = FINISH CODE

SATIN ANODIZED ALUMINUM

- .69 SILVER
- .67 BRONZE
- .68 BLACK
- .66 CHAMPAGNE

CUSTOM ANODIZED POLISHED FINISH NOT AVAILABLE.
OTHER CUSTOM FINISH FEASIBILITY TO BE VALIDATED BEFORE ORDER

EDGE COMPONENT:

BLACK FOR DARK COLOR POWDER
GREY FOR LIGHT COLOR POWDER

DOOR PREPARATION DP3
page K-Lock_236

SPACERS FOR DOUBLE GLAZED DOOR
KLA.KIT.9RU2
page K-Lock_231 - page K-Lock_232

STRIKE DETAILS
page K-Lock_228

DIFFERENCES IN THE FINISHING OF (DIFFERENT) COMPONENTS ARE DUE TO THE DIFFERENT PRODUCTION METHODS. THESE VARIATIONS ARE NOT CONSIDERED DEFECTS AND ARE A NATURAL RESULT OF THE FINISHING PROCESS.

THESE PRODUCTS CONTRIBUTE TO LEED® CREDITS

ALL DIMENSIONS IN THE CATALOG DRAWINGS ARE APPROXIMATIONS. REQUEST THE APPROPRIATE TECHNICAL DRAWING BEFORE DOOR PREPARATION AND INSTALLATION.

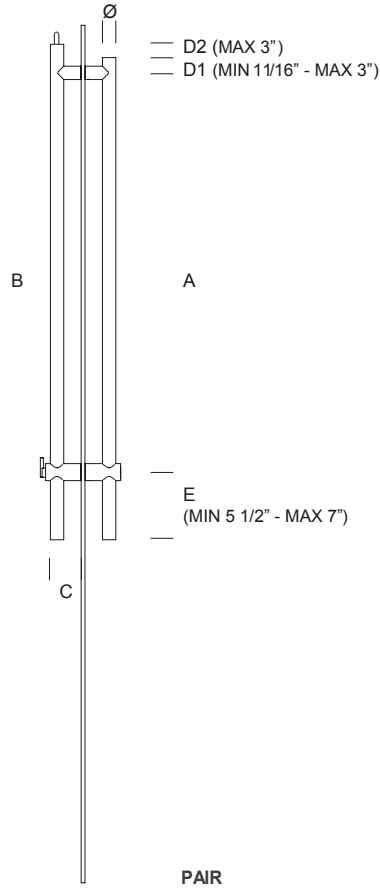


COMBINED NON LOCKING
page K-Lock_146

ITEM
KLA.0G2.00RU
KLA.0G2.99RU
KLA.0G2.RU48
KLA.0G2.RU60
KLA.0G2.RU72



LOCKING
HALF SIZE



ADA
10"
clearance
layout



PATENT
102019000012465

CYLINDER NOT INCLUDED



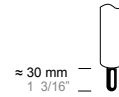
RIM CYLINDER
WITH IC



RIM CYLINDER



ADA COMPLIANT
THUMBTURN



ADJUSTABLE STEEL
DEAD BOLT



DUST-FREE
FLOOR SOCKET

BRAND OF COMPATIBLE RIM CYLINDER:

- ARROW
- CORBIN RUSSWIN
- MEDECO
- SCHLAGE
- BEST
- KABAILCO
- SARGENT
- YALE

ITEM	A	B	C	D1	D2	E	Ø
PAIR	custom	custom	85 mm 3 11/32"	custom	custom	custom	37 mm 1 29/64
TOP LOCKING							



Silver Bronze Black Champagne



.XX = FINISH CODE

- SATIN ANODIZED ALUMINUM**
- .69 SILVER
 - .67 BRONZE
 - .68 BLACK
 - .66 CHAMPAGNE

CUSTOM ANODIZED POLISHED FINISH NOT AVAILABLE.
OTHER CUSTOM FINISH FEASIBILITY TO BE VALIDATED BEFORE ORDER

EDGE COMPONENT:
BLACK FOR DARK COLOR POWDER
GREY FOR LIGHT COLOR POWDER

DOOR PREPARATION DP3
page K-Lock_236

SPACERS FOR DOUBLE GLAZED DOOR
KLA.KIT.9RU2
page K-Lock_231 - page K-Lock_232

STRIKE DETAILS
page K-Lock_228

DIFFERENCES IN THE FINISHING OF (DIFFERENT) COMPONENTS ARE DUE TO THE DIFFERENT PRODUCTION METHODS. THESE VARIATIONS ARE NOT CONSIDERED DEFECTS AND ARE A NATURAL RESULT OF THE FINISHING PROCESS.

THESE PRODUCTS CONTRIBUTE TO **LEED®** CREDITS

ALL DIMENSIONS IN THE CATALOG DRAWINGS ARE APPROXIMATIONS. REQUEST THE APPROPRIATE TECHNICAL DRAWING BEFORE DOOR PREPARATION AND INSTALLATION.

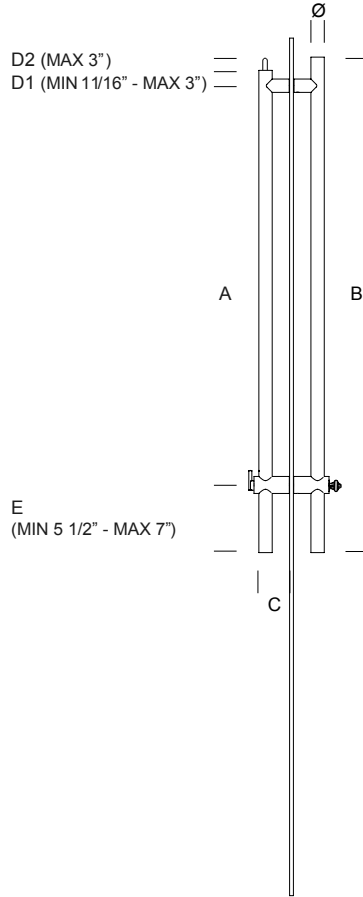


COMBINED NON LOCKING
page K-Lock_147

ITEM
KLA.0G2.99ZU



LOCKING
HALF SIZE



ADA
10"
clearance
layout



PATENT
102019000012465

CYLINDER NOT INCLUDED



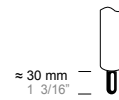
RIM CYLINDER
WITH IC



RIM CYLINDER



ADA COMPLIANT
THUMBTURN



ADJUSTABLE STEEL
DEAD BOLT



DUST-FREE
FLOOR SOCKET

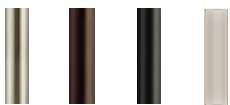
BRAND OF COMPATIBLE RIM CYLINDER:

- ARROW	- BEST
- CORBIN RUSSWIN	- KABAILCO
- MEDECO	- SARGENT
- SCHLAGE	- YALE

PAIR

ITEM	A	B	C	D1	D2	E	Ø	
PAIR TOP LOCKING	KLA.AD2.9ZU2. xx	custom	custom	85 mm 3 11/32"	custom	custom	custom	37 mm 1 29/64

Silver Bronze Black Champagne



.XX = FINISH CODE

SATIN ANODIZED ALUMINUM

- .69 SILVER
- .67 BRONZE
- .68 BLACK
- .66 CHAMPAGNE

CUSTOM ANODIZED POLISHED FINISH NOT AVAILABLE.
OTHER CUSTOM FINISH FEASIBILITY TO BE VALIDATED BEFORE ORDER

EDGE COMPONENT:

BLACK FOR DARK COLOR POWDER
GREY FOR LIGHT COLOR POWDER

DOOR PREPARATION DP3
page K-Lock_236

SPACERS FOR DOUBLE GLAZED DOOR
KLA.KIT.9RU2
page K-Lock_231 - page K-Lock_232

STRIKE DETAILS
page K-Lock_228

DIFFERENCES IN THE FINISHING OF (DIFFERENT) COMPONENTS ARE DUE TO THE DIFFERENT PRODUCTION METHODS. THESE VARIATIONS ARE NOT CONSIDERED DEFECTS AND ARE A NATURAL RESULT OF THE FINISHING PROCESS.

THESE PRODUCTS CONTRIBUTE TO LEED® CREDITS

ALL DIMENSIONS IN THE CATALOG DRAWINGS ARE APPROXIMATIONS. REQUEST THE APPROPRIATE TECHNICAL DRAWING BEFORE DOOR PREPARATION AND INSTALLATION.

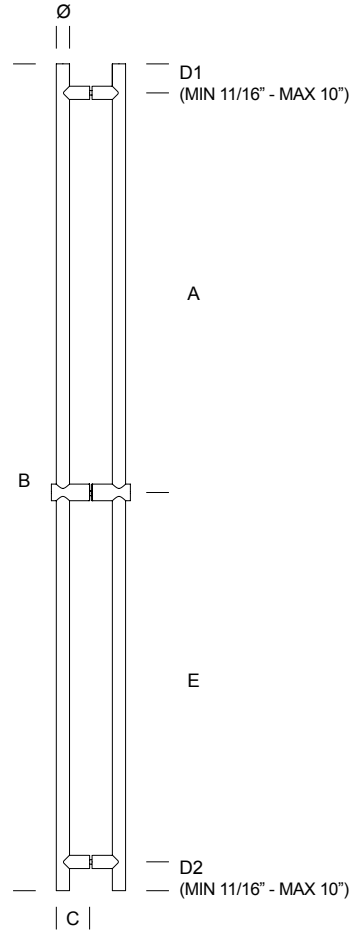


COMBINED NON LOCKING
page K-Lock_147

ITEM
KLA.0G2.99ZU



NON LOCKING
FULL SIZE



BACK TO BACK FIXING KIT
ALWAYS INCLUDED
SUITABLE FOR GLASS /
WOOD / METAL DOOR

PAIR

PAIR	ITEM	A	B	C	D1	D2	E	\emptyset
	KLA.0G4.000U. xx	1050 mm 41 11/32"	2200 mm 86 5/8"	85 mm 3 11/32"	75 mm 2 15/16"	75 mm 2 15/16"	1000 mm 39 3/8"	37 mm 1 29/64"
	KLA.0G4.0U72. xx	custom	1828 mm 72"	85 mm 3 11/32"	custom	custom	custom	37 mm 1 29/64"
	KLA.0G4.0U84. xx	custom	2133 mm 84"	85 mm 3 11/32"	custom	custom	custom	37 mm 1 29/64"
	KLA.0G4.999U. xx	custom	custom	85 mm 3 11/32"	custom	custom	custom	37 mm 1 29/64"

Silver Bronze Black Champagne



.XX = FINISH CODE

- SATIN ANODIZED ALUMINUM
- .69 SILVER
 - .67 BRONZE
 - .68 BLACK
 - .66 CHAMPAGNE

CUSTOM ANODIZED POLISHED FINISH NOT AVAILABLE.
OTHER CUSTOM FINISH FEASIBILITY TO BE VALIDATED BEFORE ORDER

EDGE COMPONENT:
BLACK FOR DARK COLOR POWDER
GREY FOR LIGHT COLOR POWDER

DOOR PREPARATION DP1
page K-Lock_234

SPACERS FOR DOUBLE GLAZED DOOR
KLA.KIT.99U4
page K-Lock_231 - page K-Lock_232

DIFFERENCES IN THE FINISHING OF (DIFFERENT) COMPONENTS ARE DUE TO THE DIFFERENT PRODUCTION METHODS. THESE VARIATIONS ARE NOT CONSIDERED DEFECTS AND ARE A NATURAL RESULT OF THE FINISHING PROCESS.

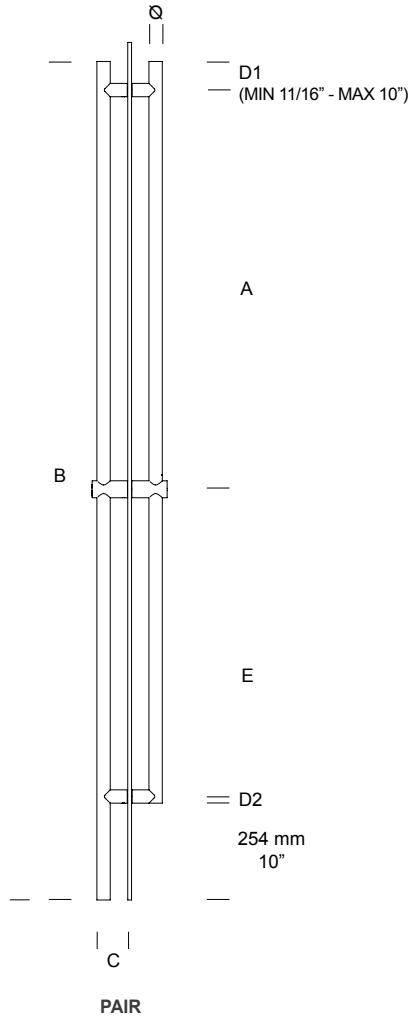
THESE PRODUCTS CONTRIBUTE TO LEED® CREDITS

ALL DIMENSIONS IN THE CATALOG DRAWINGS ARE APPROXIMATIONS. REQUEST THE APPROPRIATE TECHNICAL DRAWING BEFORE DOOR PREPARATION AND INSTALLATION.



NON LOCKING TO MATCH PULL ON
page K-Lock_130

NON LOCKING
FULL SIZE



ADA
10"
clearance
layout

BACK TO BACK FIXING KIT
ALWAYS INCLUDED
SUITABLE FOR GLASS /
WOOD / METAL DOOR

PAIR	ITEM	A	B	C	D1	D2	E	Ø
	KLA.0G4.00TU. xx	1050 mm 41 11/32"	2200 mm 86 5/8"	85 mm 3 11/32"	75 mm 2 15/16"	17,5 mm 11/16"	802 mm 31 9/16"	37 mm 1 29/64"
	KLA.0G4.TU72. xx	custom	1828 mm 72"	85 mm 3 11/32"	custom	17,5 mm 11/16"	custom	37 mm 1 29/64"
	KLA.0G4.TU84. xx	custom	2133 mm 84"	85 mm 3 11/32"	custom	17,5 mm 11/16"	custom	37 mm 1 29/64"
	KLA.0G4.99TU. xx	custom	custom	85 mm 3 11/32"	custom	17,5 mm 11/16"	custom	37 mm 1 29/64"

Silver Bronze Black Champagne



.XX = FINISH CODE

- SATIN ANODIZED ALUMINUM
.69 SILVER
.67 BRONZE
.68 BLACK
.66 CHAMPAGNE

CUSTOM ANODIZED POLISHED FINISH NOT AVAILABLE.
OTHER CUSTOM FINISH FEASIBILITY TO BE VALIDATED BEFORE ORDER

EDGE COMPONENT:
BLACK FOR DARK COLOR POWDER
GREY FOR LIGHT COLOR POWDER

DOOR PREPARATION DP1
page K-Lock_234

SPACERS FOR DOUBLE GLAZED DOOR
KLA.KIT.99U4
page K-Lock_231 - page K-Lock_232

DIFFERENCES IN THE FINISHING OF (DIFFERENT) COMPONENTS ARE DUE TO THE DIFFERENT PRODUCTION METHODS. THESE VARIATIONS ARE NOT CONSIDERED DEFECTS AND ARE A NATURAL RESULT OF THE FINISHING PROCESS.

THESE PRODUCTS CONTRIBUTE TO LEED® CREDITS

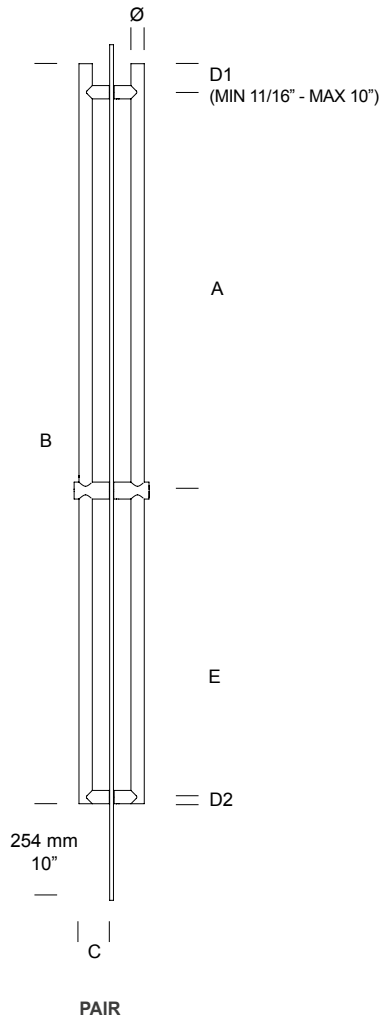
ALL DIMENSIONS IN THE CATALOG DRAWINGS ARE APPROXIMATIONS. REQUEST THE APPROPRIATE TECHNICAL DRAWING BEFORE DOOR PREPARATION AND INSTALLATION.



Declare

NON LOCKING TO MATCH PULL ON
page K-Lock_131

NON LOCKING
FULL SIZE

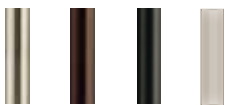


ADA
10"
clearance
layout

BACK TO BACK FIXING KIT
ALWAYS INCLUDED
SUITABLE FOR GLASS /
WOOD / METAL DOOR

PAIR	ITEM	A	B	C	D1	D2	E	Ø
	KLA.0G4.00RU. xx	1050 mm 41 11/32"	1945 mm 76 9/16"	85 mm 3 11/32"	75 mm 2 15/16"	17,5 mm 11/16"	802 mm 31 9/16"	37 mm 1 29/64"
	KLA.0G4.RU72. xx	custom	1828 mm 72"	85 mm 3 11/32"	custom	17,5 mm 11/16"	custom	37 mm 1 29/64"
	KLA.0G4.99RU. xx	custom	custom	85 mm 3 11/32"	custom	17,5 mm 11/16"	custom	37 mm 1 29/64"

Silver Bronze Black Champagne



.XX = FINISH CODE

SATIN ANODIZED ALUMINUM
.69 SILVER
.67 BRONZE
.68 BLACK
.66 CHAMPAGNE

CUSTOM ANODIZED POLISHED FINISH NOT AVAILABLE.
OTHER CUSTOM FINISH FEASIBILITY TO BE VALIDATED BEFORE ORDER

EDGE COMPONENT:
BLACK FOR DARK COLOR POWDER
GREY FOR LIGHT COLOR POWDER

DOOR PREPARATION DP1
page K-Lock_234

SPACERS FOR DOUBLE GLAZED DOOR
KLA.KIT.99U4
page K-Lock_231 - page K-Lock_232

DIFFERENCES IN THE FINISHING OF (DIFFERENT) COMPONENTS ARE DUE TO THE DIFFERENT PRODUCTION METHODS. THESE VARIATIONS ARE NOT CONSIDERED DEFECTS AND ARE A NATURAL RESULT OF THE FINISHING PROCESS.

THESE PRODUCTS CONTRIBUTE TO LEED® CREDITS

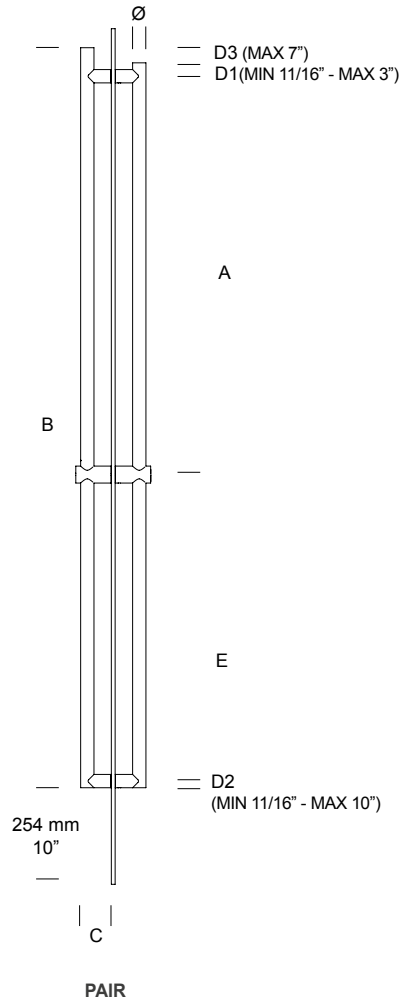
ALL DIMENSIONS IN THE CATALOG DRAWINGS ARE APPROXIMATIONS. REQUEST THE APPROPRIATE TECHNICAL DRAWING BEFORE DOOR PREPARATION AND INSTALLATION.



Declare™

NON LOCKING TO MATCH PULL ON
page K-Lock_132

NON LOCKING
FULL SIZE



ADA
10"
clearance
layout

BACK TO BACK FIXING KIT
ALWAYS INCLUDED
SUITABLE FOR GLASS /
WOOD / METAL DOOR

PAIR	ITEM	A	B	C	D1	D2	D3	E	Ø
	KLA.0G4.99ZU. xx	custom	custom	85 mm 3 11/32"	custom	custom	custom	custom	37 mm 1 29/64"

Silver Bronze Black Champagne



.XX = FINISH CODE

SATIN ANODIZED ALUMINUM

- .69 SILVER
- .67 BRONZE
- .68 BLACK
- .66 CHAMPAGNE

CUSTOM ANODIZED POLISHED FINISH NOT AVAILABLE.
OTHER CUSTOM FINISH FEASIBILITY TO BE VALIDATED BEFORE ORDER

EDGE COMPONENT:

BLACK FOR DARK COLOR POWDER
GREY FOR LIGHT COLOR POWDER

DOOR PREPARATION DP1
page K-Lock_234

SPACERS FOR DOUBLE GLAZED DOOR
KLA.KIT.99U4
page K-Lock_231 - page K-Lock_232

DIFFERENCES IN THE FINISHING OF (DIFFERENT) COMPONENTS ARE DUE TO THE DIFFERENT PRODUCTION METHODS. THESE VARIATIONS ARE NOT CONSIDERED DEFECTS AND ARE A NATURAL RESULT OF THE FINISHING PROCESS.

THESE PRODUCTS CONTRIBUTE TO LEED® CREDITS

ALL DIMENSIONS IN THE CATALOG DRAWINGS ARE APPROXIMATIONS. REQUEST THE APPROPRIATE TECHNICAL DRAWING BEFORE DOOR PREPARATION AND INSTALLATION.

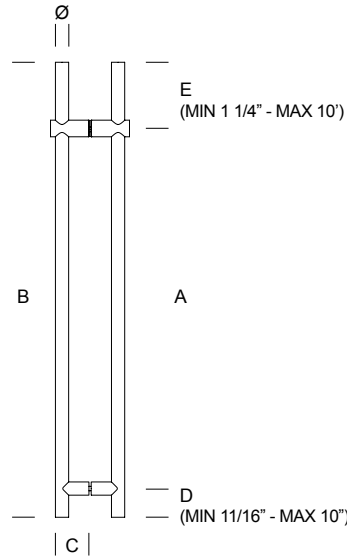


NON LOCKING TO MATCH PULL ON
page K-Lock_133-134

NON LOCKING
HALF SIZE



BACK TO BACK FIXING KIT
ALWAYS INCLUDED
SUITABLE FOR GLASS /
WOOD / METAL DOOR



PAIR

PAIR	ITEM	A	B	C	D	E	Ø
	KLA.0G2.000U..xx	1000 mm 39 3/8"	1250 mm 49 1/4"	85 mm 3 11/32"	75 mm 2 15/16"	175 mm 6 7/8"	37 mm 1 29/64"
	KLA.0G2.0U48..xx	custom	1219 mm 48"	85 mm 3 11/32"	custom	custom	37 mm 1 29/64"
	KLA.0G2.0U60..xx	custom	1524 mm 60"	85 mm 3 11/32"	custom	custom	37 mm 1 29/64"
	KLA.0G2.999U..xx	custom	custom	85 mm 3 11/32"	custom	custom	37 mm 1 29/64"

Silver Bronze Black Champagne



.XX = FINISH CODE

- SATIN ANODIZED ALUMINUM
- .69 SILVER
- .67 BRONZE
- .68 BLACK
- .66 CHAMPAGNE

CUSTOM ANODIZED POLISHED FINISH NOT AVAILABLE.
OTHER CUSTOM FINISH FEASIBILITY TO BE VALIDATED BEFORE ORDER

EDGE COMPONENT:
BLACK FOR DARK COLOR POWDER
GREY FOR LIGHT COLOR POWDER

DOOR PREPARATION DP2
page K-Lock_235

SPACERS FOR DOUBLE GLAZED DOOR
KLA.KIT.99U2
page K-Lock_231 - page K-Lock_232

DIFFERENCES IN THE FINISHING OF (DIFFERENT) COMPONENTS ARE DUE TO THE DIFFERENT PRODUCTION METHODS. THESE VARIATIONS ARE NOT CONSIDERED DEFECTS AND ARE A NATURAL RESULT OF THE FINISHING PROCESS.

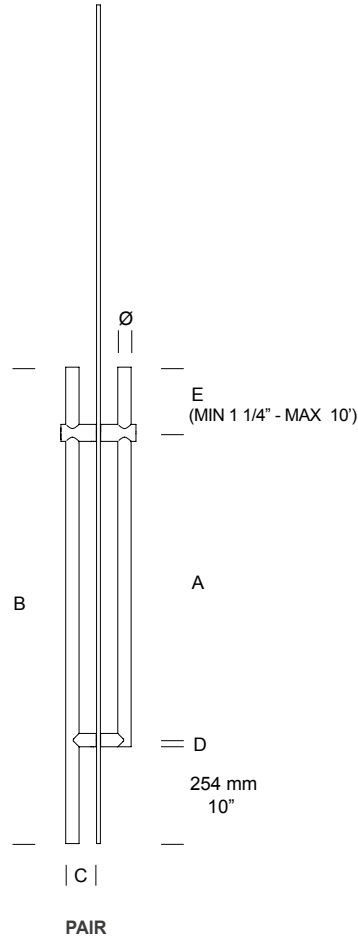
THESE PRODUCTS CONTRIBUTE TO LEED® CREDITS

ALL DIMENSIONS IN THE CATALOG DRAWINGS ARE APPROXIMATIONS. REQUEST THE APPROPRIATE TECHNICAL DRAWING BEFORE DOOR PREPARATION AND INSTALLATION.



NON LOCKING TO MATCH PULL ON
page K-Lock_135

NON LOCKING
HALF SIZE



ADA
10"
clearance
layout

BACK TO BACK FIXING KIT
ALWAYS INCLUDED
SUITABLE FOR GLASS /
WOOD / METAL DOOR

PAIR	ITEM	A	B	C	D	E	Ø
	KLA.0G2.00TU. xx	802 mm 31 9/16"	1250 mm 49 1/4"	85 mm 3 11/32"	17,5 mm 11/16"	175 mm 6 7/8"	37 mm 1 29/64"
	KLA.0G2.TU48. xx	custom	1219 mm 48"	85 mm 3 11/32"	17,5 mm 11/16"	custom	37 mm 1 29/64"
	KLA.0G2.TU60. xx	custom	1524 mm 60"	85 mm 3 11/32"	17,5 mm 11/16"	custom	37 mm 1 29/64"
	KLA.0G2.99TU. xx	custom	custom	85 mm 3 11/32"	17,5 mm 11/16"	custom	37 mm 1 29/64"

Silver Bronze Black Champagne



.XX = FINISH CODE

SATIN ANODIZED ALUMINUM

- .69 SILVER
- .67 BRONZE
- .68 BLACK
- .66 CHAMPAGNE

CUSTOM ANODIZED POLISHED FINISH NOT AVAILABLE.
OTHER CUSTOM FINISH FEASIBILITY TO BE VALIDATED BEFORE ORDER

EDGE COMPONENT:

BLACK FOR DARK COLOR POWDER
GREY FOR LIGHT COLOR POWDER

DOOR PREPARATION DP2
page K-Lock_235

SPACERS FOR DOUBLE GLAZED DOOR
KLA.KIT.99U2
page K-Lock_231 - page K-Lock_232

DIFFERENCES IN THE FINISHING OF (DIFFERENT) COMPONENTS ARE DUE TO THE DIFFERENT PRODUCTION METHODS. THESE VARIATIONS ARE NOT CONSIDERED DEFECTS AND ARE A NATURAL RESULT OF THE FINISHING PROCESS.

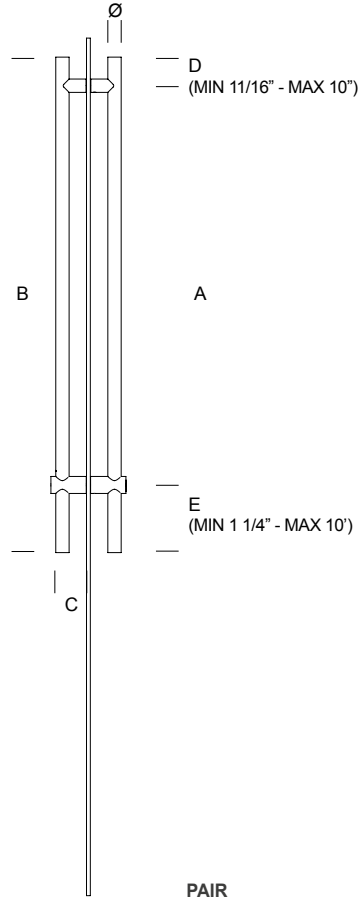
THESE PRODUCTS CONTRIBUTE TO LEED® CREDITS

ALL DIMENSIONS IN THE CATALOG DRAWINGS ARE APPROXIMATIONS. REQUEST THE APPROPRIATE TECHNICAL DRAWING BEFORE DOOR PREPARATION AND INSTALLATION.



NON LOCKING TO MATCH PULL ON
page K-Lock_136

NON LOCKING
HALF SIZE



ADA
10"
clearance
layout

BACK TO BACK FIXING KIT
ALWAYS INCLUDED
SUITABLE FOR GLASS /
WOOD / METAL DOOR

PAIR	ITEM	A	B	C	D	E	Ø
	KLA.0G2.00RU. xx	1050 mm 41 11/32"	1300 mm 51 3/16"	85 mm 3 11/32"	75 mm 2 15/16"	175 mm 6 7/8"	37 mm 1 29/64"
	KLA.0G2.RU48. xx	custom	1219 mm 48"	85 mm 3 11/32"	custom	custom	37 mm 1 29/64"
	KLA.0G2.RU60. xx	custom	1524 mm 60"	85 mm 3 11/32"	custom	custom	37 mm 1 29/64"
	KLA.0G2.RU72. xx	custom	1828 mm 72"	85 mm 3 11/32"	custom	custom	37 mm 1 29/64"
	KLA.0G2.99RU. xx	custom	custom	85 mm 3 11/32"	custom	custom	37 mm 1 29/64"

Silver Bronze Black Champagne



.XX = FINISH CODE

SATIN ANODIZED ALUMINUM
.69 SILVER
.67 BRONZE
.68 BLACK
.66 CHAMPAGNE

CUSTOM ANODIZED POLISHED FINISH NOT AVAILABLE.
OTHER CUSTOM FINISH FEASIBILITY TO BE VALIDATED BEFORE ORDER

EDGE COMPONENT:
BLACK FOR DARK COLOR POWDER
GREY FOR LIGHT COLOR POWDER

DOOR PREPARATION DP3
page K-Lock_236

SPACERS FOR DOUBLE GLAZED DOOR
KLA.KIT.9RU2
page K-Lock_231 - page K-Lock_232

DIFFERENCES IN THE FINISHING OF (DIFFERENT) COMPONENTS ARE DUE TO THE DIFFERENT PRODUCTION METHODS. THESE VARIATIONS ARE NOT CONSIDERED DEFECTS AND ARE A NATURAL RESULT OF THE FINISHING PROCESS.

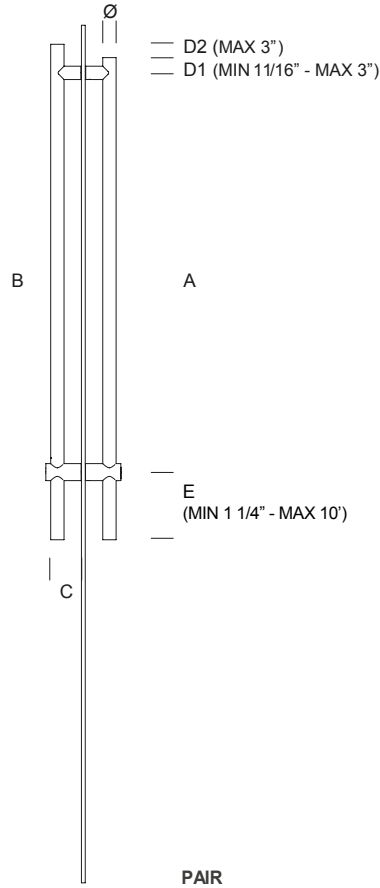
THESE PRODUCTS CONTRIBUTE TO LEED® CREDITS

ALL DIMENSIONS IN THE CATALOG DRAWINGS ARE APPROXIMATIONS. REQUEST THE APPROPRIATE TECHNICAL DRAWING BEFORE DOOR PREPARATION AND INSTALLATION.



NON LOCKING TO MATCH PULL ON
page K-Lock_137

NON LOCKING
HALF SIZE



ADA
10"
clearance
layout

BACK TO BACK FIXING KIT
ALWAYS INCLUDED
SUITABLE FOR GLASS /
WOOD / METAL DOOR

PAIR	ITEM	A	B	C	D	E	Ø
	KLA.0G2.99ZU. xx	custom	custom	85 mm 3 11/32"	custom	custom	37 mm 1 29/64

Silver Bronze Black Champagne



.XX = FINISH CODE

SATIN ANODIZED ALUMINUM

- .69 SILVER
- .67 BRONZE
- .68 BLACK
- .66 CHAMPAGNE

CUSTOM ANODIZED POLISHED FINISH NOT AVAILABLE.
OTHER CUSTOM FINISH FEASIBILITY TO BE VALIDATED BEFORE ORDER

EDGE COMPONENT:

BLACK FOR DARK COLOR POWDER
GREY FOR LIGHT COLOR POWDER

DOOR PREPARATION DP3
page K-Lock_236

SPACERS FOR DOUBLE GLAZED DOOR
KLA.KIT.9RU2
page K-Lock_231 - page K-Lock_232

DIFFERENCES IN THE FINISHING OF (DIFFERENT) COMPONENTS ARE DUE TO THE DIFFERENT PRODUCTION METHODS. THESE VARIATIONS ARE NOT CONSIDERED DEFECTS AND ARE A NATURAL RESULT OF THE FINISHING PROCESS.

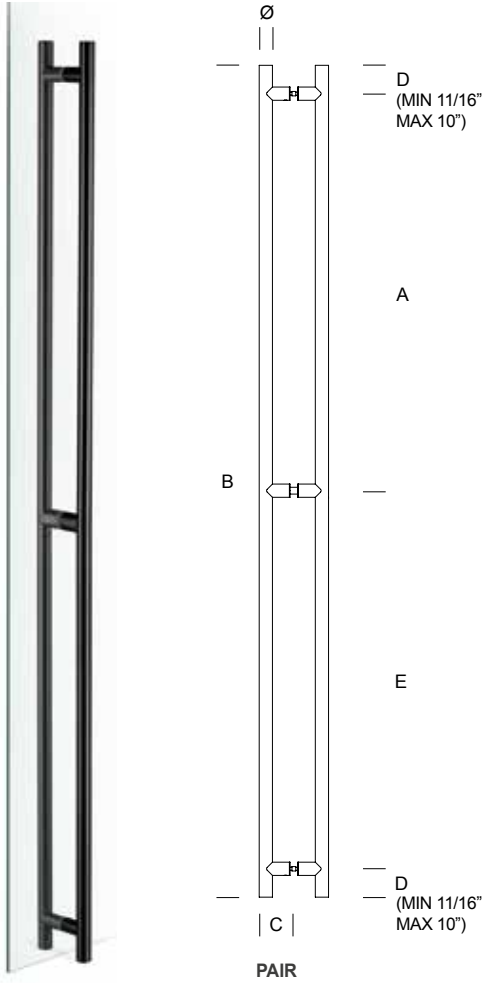
THESE PRODUCTS CONTRIBUTE TO LEED® CREDITS

ALL DIMENSIONS IN THE CATALOG DRAWINGS ARE APPROXIMATIONS.
REQUEST THE APPROPRIATE TECHNICAL DRAWING BEFORE DOOR PREPARATION AND INSTALLATION.

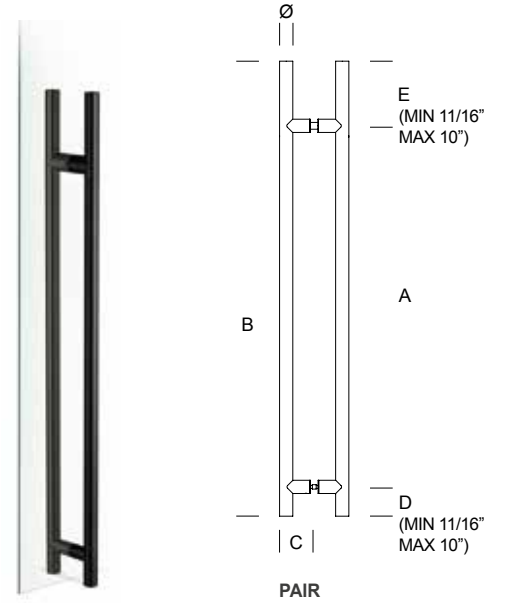


NON LOCKING TO MATCH PULL ON
page K-Lock_138-139

UNIVERSAL
NON LOCKING
FULL SIZE



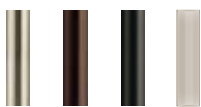
UNIVERSAL
NON LOCKING
HALF SIZE



ITEM	A	B	C	D	E	Ø
KLA.0G4.0000 .xx	1050 mm 41 11/32"	2200 mm 86 5/8"	85 mm 3 11/32"	75 mm 2 15/16"	1000 mm 39 3/8"	37 mm 1 29/64"
KLA.0G4.0072 .xx	custom	1828 mm 72"	85 mm 3 11/32"	custom	custom	37 mm 1 29/64"
KLA.0G4.0084 .xx	custom	2133 mm 84"	85 mm 3 11/32"	custom	custom	37 mm 1 29/64"
KLA.0G4.9999 .xx	custom	custom	85 mm 3 11/32"	custom	custom	37 mm 1 29/64"

ITEM	A	B	C	D	E	Ø
KLA.0G2.0000 .xx	1000 mm 39 3/8"	1250 mm 49 1/4"	85 mm 3 11/32"	75 mm 2 15/16"	175 mm 6 7/8"	37 mm 1 29/64"
KLA.0G2.0048 .xx	custom	1219 mm 48"	85 mm 3 11/32"	custom	custom	37 mm 1 29/64"
KLA.0G2.0060 .xx	custom	1524 mm 60"	85 mm 3 11/32"	custom	custom	37 mm 1 29/64"
KLA.0G2.9999 .xx	custom	custom	85 mm 3 11/32"	custom	custom	37 mm 1 29/64"

Silver Bronze Black Champagne .XX = FINISH CODE



SATIN ANODIZED ALUMINUM
.69 SILVER
.67 BRONZE
.68 BLACK
.66 CHAMPAGNE

CUSTOM ANODIZED POLISHED FINISH NOT AVAILABLE.
OTHER CUSTOM FINISH FEASIBILITY TO BE VALIDATED BEFORE ORDER

EDGE COMPONENT:
BLACK FOR DARK COLOR POWDER
GREY FOR LIGHT COLOR POWDER AND STAINLESS STEEL

DOOR PREPARATION:
DP4 (UNIVERSAL NO LOCKING FULL SIZE)
DP5 (UNIVERSAL NO LOCKING HALF SIZE)
page K-Lock_237 - page K-Lock_238

SPACERS FOR DOUBLE GLAZED DOOR
2AT.KIT.9910 (UNIVERSAL NO LOCKING FULL SIZE)
2AT.KIT.9909 (UNIVERSAL NO LOCKING HALF SIZE)
page K-Lock_231 - page K-Lock_232

BACK TO BACK FIXING KIT ALWAYS INCLUDED
SUITABLE FOR GLASS / WOOD / METAL DOOR

DIFFERENCES IN THE FINISHING OF (DIFFERENT) COMPONENTS ARE DUE TO THE DIFFERENT PRODUCTION METHODS. THESE VARIATIONS ARE NOT CONSIDERED DEFECTS AND ARE A NATURAL RESULT OF THE FINISHING PROCESS.

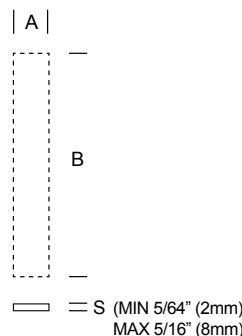
ALL DIMENSIONS IN THE CATALOG DRAWINGS ARE APPROXIMATIONS. REQUEST THE APPROPRIATE TECHNICAL DRAWING BEFORE DOOR PREPARATION AND INSTALLATION.

THESE PRODUCTS CONTRIBUTE TO LEED® CREDITS



STAINLESS STEEL PLATE / PLAQUE ON REQUEST - PLACCA / PIASTRA A MISURA IN ACCIAIO INOX

ITEM	A	B	S
2MM.PLA.9999 .xx	custom	custom	custom



AVAILABLE WITH HOLES FOR FIXING WITH SCREWS OR WITHOUT HOLES FOR GLUING.
FIXINGS NOT INCLUDED

DISPONIBILE CON FORI PER FISSAGGIO CON VITI O SENZA FORI PER INCOLLAGGIO.
FISSAGGI NON INCLUSI.

.XX = FINISH CODE

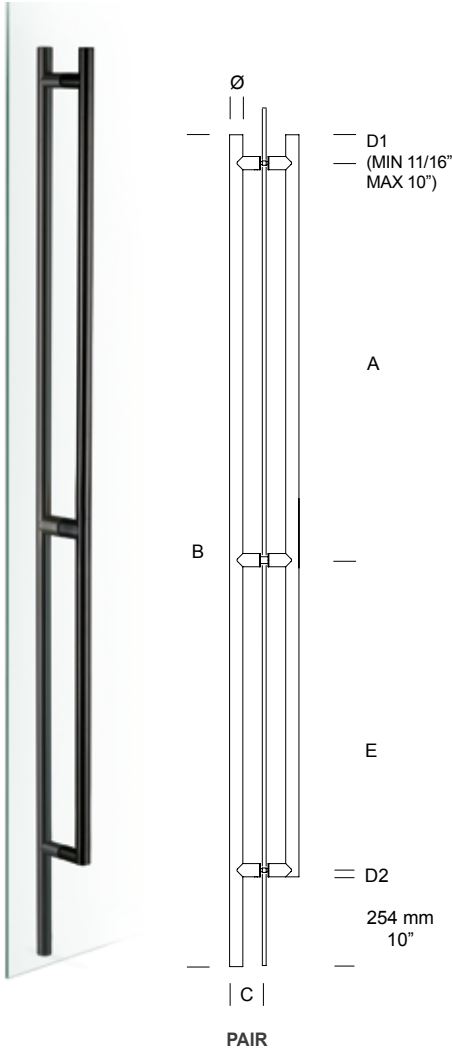
STAINLESS STEEL
.43 BRIGHT STAINLESS STEEL (ANSI/BHMA 629 - USD32)
.44 SATIN STAINLESS STEEL (ANSI/BHMA 630 - USD32D)

STAINLESS STEEL POWDER-COATED ON REQUEST
.26 BLACK RAL 9005 MAT - TO MATCH WITH PBA BLACK ALUMINUM
.31 WHITE RAL 9010
.32 GREY
.38 CHAMPAGNE
.39 BRONZE - TO MATCH WITH PBA BRONZE ALUMINUM
.36 ARCHITECTURAL BRONZE
.56 MEDIUM BRONZE
.41 SILVER
.55 GOLD

.99 COLOURS ON REQUEST TO MATCH ANY RAL # (screws, grub screws and plastic parts non powdercoated) available on request depending on quantities

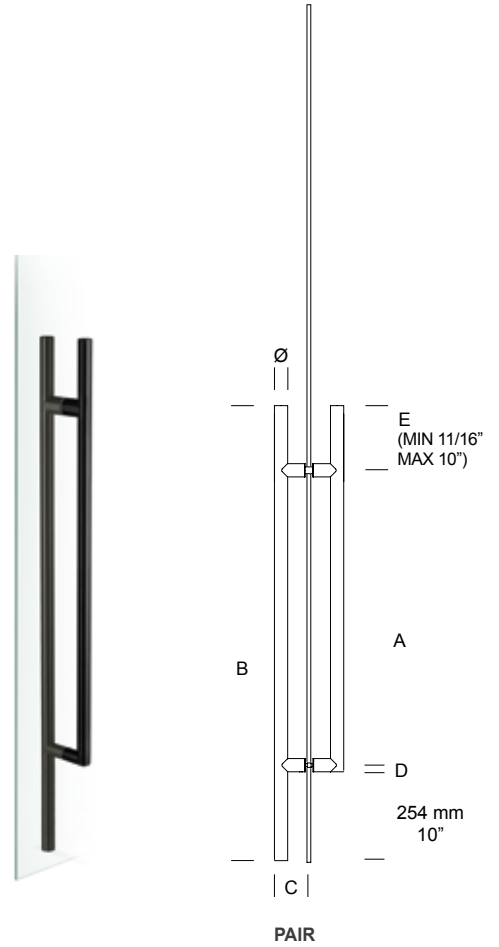
UNIVERSAL
NON LOCKING
FULL SIZE

ADA
10"
clearance
Layout



UNIVERSAL
NON LOCKING
HALF SIZE

ADA
10"
clearance
Layout



ITEM	A	B	C	D1-D2	E	Ø
KLA.0G4.999T. xx PAIR	custom	custom	85 mm 3 11/32"	custom	custom	37 mm 1 29/64

ITEM	A	B	C	D	E	Ø
KLA.0G2.999T. xx PAIR	custom	custom	85 mm 3 11/32"	17,5 mm 11/16"	custom	37 mm 1 29/64

Silver Bronze Black Champagne



.XX = FINISH CODE

SATIN ANODIZED ALUMINUM
.69 SILVER
.67 BRONZE
.68 BLACK
.66 CHAMPAGNE

CUSTOM ANODIZED POLISHED FINISH NOT AVAILABLE.
OTHER CUSTOM FINISH FEASIBILITY TO BE VALIDATED BEFORE ORDER

EDGE COMPONENT:
BLACK FOR DARK COLOR POWDER
GREY FOR LIGHT COLOR POWDER
AND STAINLESS STEEL

DOOR PREPARATION:
DP4 (UNIVERSAL NO LOCKING FULL SIZE)
DP5 (UNIVERSAL NO LOCKING HALF SIZE)
page K-Lock_237 - page K-Lock_238

SPACERS FOR DOUBLE GLAZED DOOR
2AT.KIT.9910 (UNIVERSAL NO LOCKING FULL SIZE)
2AT.KIT.9909 (UNIVERSAL NO LOCKING HALF SIZE)
page K-Lock_231 - page K-Lock_232

BACK TO BACK FIXING KIT ALWAYS INCLUDED
SUITABLE FOR GLASS / WOOD / METAL DOOR



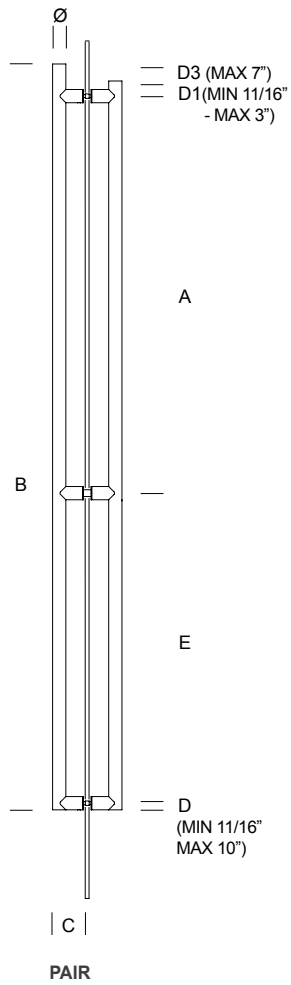
ALL DIMENSIONS IN THE CATALOG DRAWINGS ARE APPROXIMATIONS.
REQUEST THE APPROPRIATE TECHNICAL DRAWING BEFORE DOOR
PREPARATION AND INSTALLATION.

THESE PRODUCTS CONTRIBUTE TO LEED® CREDITS

DIFFERENCES IN THE FINISHING OF (DIFFERENT) COMPONENTS ARE
DUE TO THE DIFFERENT PRODUCTION METHODS. THESE VARIATIONS
ARE NOT CONSIDERED DEFECTS AND ARE A NATURAL RESULT OF THE
FINISHING PROCESS.

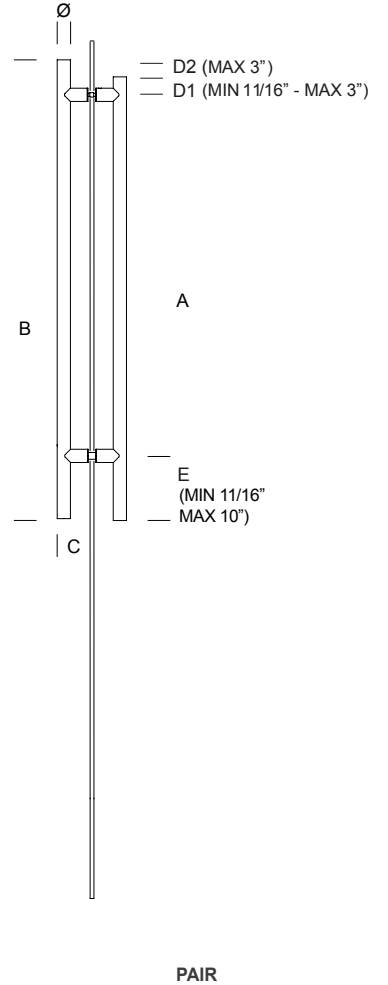
UNIVERSAL
NON LOCKING
FULL SIZE

ADA
10"
clearance
Layout



UNIVERSAL
NON LOCKING
HALF SIZE

ADA
10"
clearance
Layout



ITEM	A	B	C	D-D2-D3	E	Ø
KLA.0G4.999Z. xx	custom	custom	85 mm 3 11/32"	custom	custom	37 mm 1 29/64
PAIR						

ITEM	A	B	C	D	E	Ø
KLA.0G2.999Z. xx	custom	custom	85 mm 3 11/32"	custom	custom	37 mm 1 29/64
PAIR						

Silver Bronze Black Champagne



.XX = FINISH CODE

SATIN ANODIZED ALUMINUM
.69 SILVER
.67 BRONZE
.68 BLACK
.66 CHAMPAGNE

CUSTOM ANODIZED POLISHED FINISH NOT AVAILABLE.
OTHER CUSTOM FINISH FEASIBILITY TO BE VALIDATED BEFORE ORDER

EDGE COMPONENT:
BLACK FOR DARK COLOR POWDER
GREY FOR LIGHT COLOR POWDER
AND STAINLESS STEEL

DOOR PREPARATION:
DP4 (UNIVERSAL NO LOCKING FULL SIZE)
DP5 (UNIVERSAL NO LOCKING HALF SIZE)
page K-Lock_237 - page K-Lock_238

SPACERS FOR DOUBLE GLAZED DOOR
2AT.KIT.9910 (UNIVERSAL NO LOCKING FULL SIZE)
2AT.KIT.9909 (UNIVERSAL NO LOCKING HALF SIZE)
page K-Lock_231 - page K-Lock_232

BACK TO BACK FIXING KIT ALWAYS INCLUDED
SUITABLE FOR GLASS / WOOD / METAL DOOR



ALL DIMENSIONS IN THE CATALOG DRAWINGS ARE APPROXIMATIONS.
REQUEST THE APPROPRIATE TECHNICAL DRAWING BEFORE DOOR
PREPARATION AND INSTALLATION.

THESE PRODUCTS CONTRIBUTE TO LEED® CREDITS

DIFFERENCES IN THE FINISHING OF (DIFFERENT) COMPONENTS ARE
DUE TO THE DIFFERENT PRODUCTION METHODS. THESE VARIATIONS
ARE NOT CONSIDERED DEFECTS AND ARE A NATURAL RESULT OF THE
FINISHING PROCESS.

PROGRAMMA K-LOCK KLA
KEY SIDE BOLT

P B A
PATENTED
SYSTEM



SUPPORTO
POST

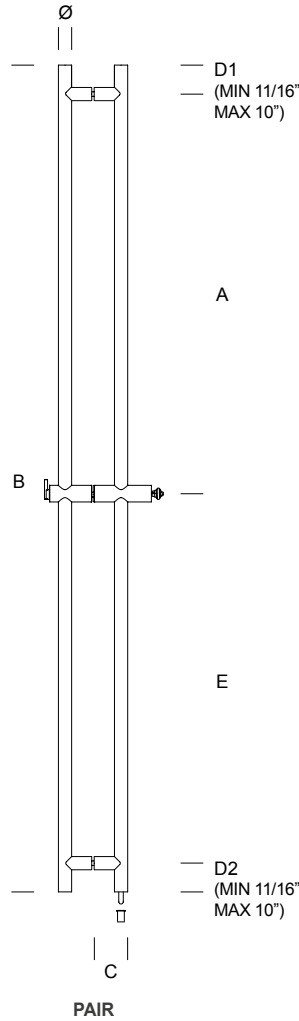


Ⓢ CILINDRO PROFILO AMERICANO RIM CON IC
AMERICAN RIM CYLINDER WITH IC
COMPATIBLE WITH SMALL FORMAT INTERCHANGEABLE
CORE ONLY. THE HOUSING WILL BE SUPPLIED FROM pba



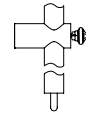
Ⓣ CILINDRO PROFILO AMERICANO
MORTISE STANDARD
AMERICAN MORTISE CYLINDER STANDARD

LOCKING
FULL SIZE



PATENT
102019000012465
PATENT
102019000014097

KEY
side bolt



KEY SIDE BOLT

CYLINDER NOT INCLUDED



RIM CYLINDER
WITH IC
COMPATIBLE WITH SMALL FORMAT
INTERCHANGEABLE CORE ONLY.
THE HOUSING WILL BE SUPPLIED
FROM pba



ADA COMPLIANT
THUMBTURN



ADJUSTABLE STEEL
DEAD BOLT

≈ 30 mm
1 3/16"



DUST-FREE
FLOOR SOCKET

	ITEM	A	B	C	D1	D2	E	Ø
PAIR BOTTOM LOCKING	KLA.FU4.0000. xx	1050 mm 41 11/32"	2200 mm 86 5/8"	85 mm 3 11/32"	75 mm 2 15/16"	75 mm 2 15/16"	1000 mm 39 3/8"	37 mm 1 29/64"
	KLA.FU4.0072. xx	custom	1828 mm 72"	85 mm 3 11/32"	custom	custom	custom	37 mm 1 29/64"
	KLA.FU4.0084. xx	custom	2133 mm 84"	85 mm 3 11/32"	custom	custom	custom	37 mm 1 29/64"
	KLA.FU4.9999. xx	custom	custom	85 mm 3 11/32"	custom	custom	custom	37 mm 1 29/64"
PAIR TOP/BOTTOM LOCKING	KLA.FU6.0000. xx	1050 mm 41 11/32"	2200 mm 86 5/8"	85 mm 3 11/32"	75 mm 2 15/16"	75 mm 2 15/16"	1000 mm 39 3/8"	37 mm 1 29/64"
	KLA.FU6.9999. xx	custom	custom	85 mm 3 11/32"	custom	custom	custom	37 mm 1 29/64"

Silver Bronze Black Champagne



.XX = FINISH CODE

SATIN ANODIZED ALUMINUM
.69 SILVER
.67 BRONZE
.68 BLACK
.66 CHAMPAGNE

CUSTOM ANODIZED POLISHED FINISH NOT AVAILABLE.
OTHER CUSTOM FINISH FEASIBILITY TO BE VALIDATED BEFORE ORDER

EDGE COMPONENT:
BLACK FOR DARK COLOR POWDER
GREY FOR LIGHT COLOR POWDER
AND STAINLESS STEEL

DOOR PREPARATION DP1
page K-Lock_234

SPACERS FOR DOUBLE GLAZED DOOR
KLA.KIT.99U4
page K-Lock_231 - page K-Lock_232

STRIKE DETAILS
page K-Lock_228

DIFFERENCES IN THE FINISHING OF (DIFFERENT) COMPONENTS ARE
DUE TO THE DIFFERENT PRODUCTION METHODS. THESE VARIATIONS
ARE NOT CONSIDERED DEFECTS AND ARE A NATURAL RESULT OF THE
FINISHING PROCESS.

THESE PRODUCTS CONTRIBUTE TO LEED® CREDITS

ALL DIMENSIONS IN THE CATALOG DRAWINGS ARE APPROXIMATIONS.
REQUEST THE APPROPRIATE TECHNICAL DRAWING BEFORE DOOR
PREPARATION AND INSTALLATION.

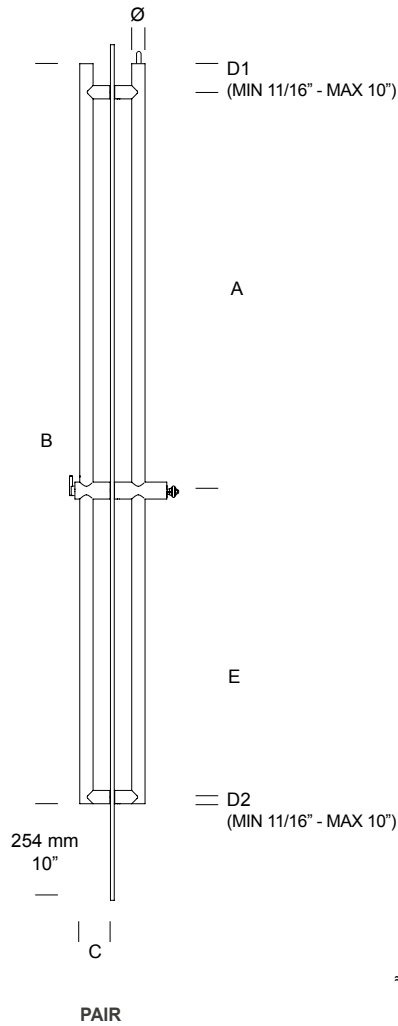


COMBINED NON LOCKING
page K-Lock_156

ITEM
KLA.0G4.000U
KLA.0G4.999U
KLA.0G4.0U72
KLA.0G4.0U84



LOCKING
FULL SIZE



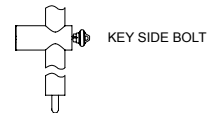
ADA
10"
clearance
l a y o u t

P B A
PATENTED
SYSTEM

PATENT
102019000012465

PATENT
102019000014097

KEY
side bolt



CYLINDER NOT INCLUDED

RIM CYLINDER
WITH IC

COMPATIBLE WITH SMALL FORMAT
INTERCHANGEABLE CORE ONLY.
THE HOUSING WILL BE SUPPLIED
FROM pba



PAIR
TOP
LOCKING



ITEM	A	B	C	D1	D2	E	Ø
KLA.FU4.000R. xx	1050 mm 41 11/32"	1945 mm 76 9/16"	85 mm 3 11/32"	75 mm 2 15/16"	17,5 mm 11/16"	802 mm 31 9/16"	37 mm 1 29/64"
KLA.FU4.0R72. xx	custom	1828 mm 72"	85 mm 3 11/32"	custom	custom	custom	37 mm 1 29/64"
KLA.FU4.999R. xx	custom	custom	85 mm 3 11/32"	custom	custom	custom	37 mm 1 29/64"

Silver Bronze Black Champagne



.XX = FINISH CODE

SATIN ANODIZED ALUMINUM
.69 SILVER
.67 BRONZE
.68 BLACK
.66 CHAMPAGNE

CUSTOM ANODIZED POLISHED FINISH NOT AVAILABLE.
OTHER CUSTOM FINISH FEASIBILITY TO BE VALIDATED BEFORE ORDER

EDGE COMPONENT:
BLACK FOR DARK COLOR POWDER
GREY FOR LIGHT COLOR POWDER
AND STAINLESS STEEL

DOOR PREPARATION DP1
page K-Lock_234

SPACERS FOR DOUBLE GLAZED DOOR
KLA.KIT.99U4
page K-Lock_231 - page K-Lock_232

STRIKE DETAILS
page K-Lock_228

DIFFERENCES IN THE FINISHING OF (DIFFERENT) COMPONENTS ARE
DUE TO THE DIFFERENT PRODUCTION METHODS. THESE VARIATIONS
ARE NOT CONSIDERED DEFECTS AND ARE A NATURAL RESULT OF THE
FINISHING PROCESS.

THESE PRODUCTS CONTRIBUTE TO LEED® CREDITS

ALL DIMENSIONS IN THE CATALOG DRAWINGS ARE APPROXIMATIONS.
REQUEST THE APPROPRIATE TECHNICAL DRAWING BEFORE DOOR
PREPARATION AND INSTALLATION.



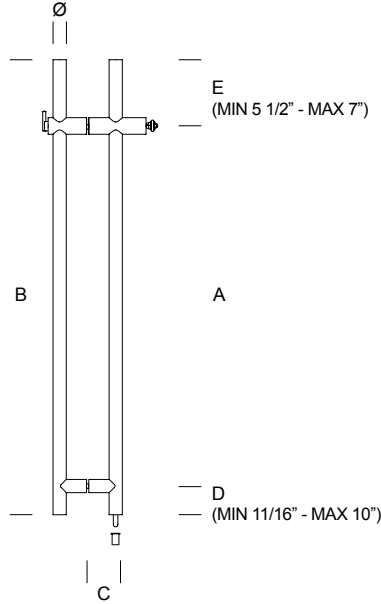
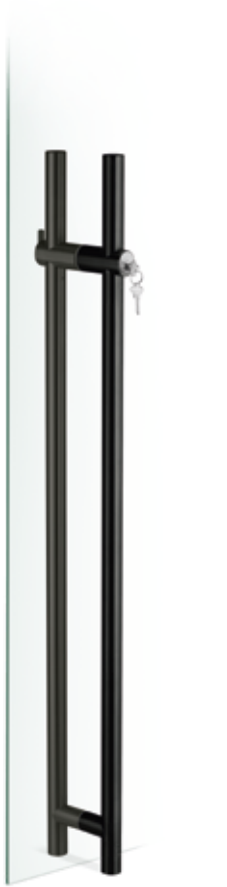
Declare™

COMBINED NON LOCKING
page K-Lock_157

ITEM
KLA.0G4.00RU
KLA.0G4.99RU
KLA.0G4.RU72



LOCKING
HALF SIZE



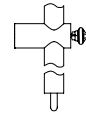
PAIR



P.B.A.
PATENTED
SYSTEM

PATENT
102019000012465
PATENT
102019000014097

KEY
side bolt



KEY SIDE BOLT

CYLINDER NOT INCLUDED



RIM CYLINDER
WITH IC
COMPATIBLE WITH SMALL FORMAT
INTERCHANGEABLE CORE ONLY.
THE HOUSING WILL BE SUPPLIED
FROM pba



ADA COMPLIANT
THUMBTURN



ADJUSTABLE STEEL
DEAD BOLT
≈ 30 mm
1 3/16"



DUST-FREE
FLOOR SOCKET

PAIR

BOTTOM
LOCKING



ITEM	A	B	C	D	E	Ø
KLA.FU2.0000. xx	1000 mm 39 3/8"	1250 mm 49 1/4"	85 mm 3 11/32"	75 mm 2 15/16"	175 mm 6 7/8"	37 mm 1 29/64"
KLA.FU2.0048. xx	custom	1219 mm 48"	85 mm 3 11/32"	custom	custom	37 mm 1 29/64"
KLA.FU2.0060. xx	custom	1524 mm 60"	85 mm 3 11/32"	custom	custom	37 mm 1 29/64"
KLA.FU2.9999. xx	custom	custom	85 mm 3 11/32"	custom	custom	37 mm 1 29/64"

Silver Bronze Black Champagne



.XX = FINISH CODE

SATIN ANODIZED ALUMINUM

- .69 SILVER
- .67 BRONZE
- .68 BLACK
- .66 CHAMPAGNE

CUSTOM ANODIZED POLISHED FINISH NOT AVAILABLE.
OTHER CUSTOM FINISH FEASIBILITY TO BE VALIDATED BEFORE ORDER

EDGE COMPONENT:
BLACK FOR DARK COLOR POWDER
GREY FOR LIGHT COLOR POWDER
AND STAINLESS STEEL

DOOR PREPARATION DP2
page K-Lock_235

SPACERS FOR DOUBLE GLAZED DOOR
KLA.KIT.99U2
page K-Lock_231 - page K-Lock_232

DIFFERENCES IN THE FINISHING OF (DIFFERENT) COMPONENTS ARE
DUE TO THE DIFFERENT PRODUCTION METHODS. THESE VARIATIONS
ARE NOT CONSIDERED DEFECTS AND ARE A NATURAL RESULT OF THE
FINISHING PROCESS.

THESE PRODUCTS CONTRIBUTE TO LEED® CREDITS

ALL DIMENSIONS IN THE CATALOG DRAWINGS ARE APPROXIMATIONS.
REQUEST THE APPROPRIATE TECHNICAL DRAWING BEFORE DOOR
PREPARATION AND INSTALLATION.



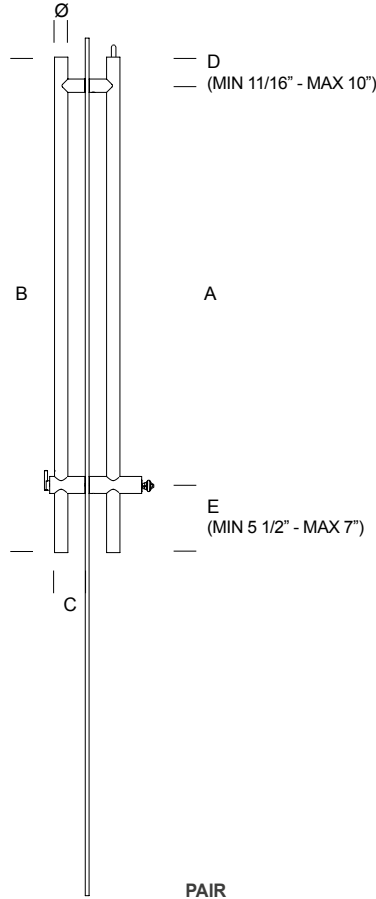
Declare.

COMBINED NON LOCKING
page K-Lock_158

ITEM
KLA.0G2.000U
KLA.0G2.999U
KLA.0G2.0U48
KLA.0G2.0U60



LOCKING
HALF SIZE



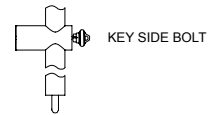
ADA
10"
clearance
l a y o u t

P B A
PATENTED
SYSTEM

PATENT
102019000012465

PATENT
102019000014097

KEY
side bolt



CYLINDER NOT INCLUDED

RIM CYLINDER
WITH IC
COMPATIBLE WITH SMALL FORMAT
INTERCHANGEABLE CORE ONLY.
THE HOUSING WILL BE SUPPLIED
FROM pba



PAIR
TOP
LOCKING



ITEM	A	B	C	D	E	Ø
KLA.FU2.000R. xx	1050 mm 41 11/32"	1300 mm 51 3/16"	85 mm 3 11/32"	75 mm 2 15/16"	175 mm 6 7/8"	37 mm 1 29/64"
KLA.FU2.0R48. xx	custom	1219 mm 48"	85 mm 3 11/32"	custom	custom	37 mm 1 29/64"
KLA.FU2.0R60. xx	custom	1524 mm 60"	85 mm 3 11/32"	custom	custom	37 mm 1 29/64"
KLA.FU2.0R72. xx	custom	1828 mm 72"	85 mm 3 11/32"	custom	custom	37 mm 1 29/64"
KLA.FU2.999R. xx	custom	custom	85 mm 3 11/32"	custom	custom	37 mm 1 29/64"

Silver Bronze Black Champagne



.XX = FINISH CODE

SATIN ANODIZED ALUMINUM
.69 SILVER
.67 BRONZE
.68 BLACK
.66 CHAMPAGNE

CUSTOM ANODIZED POLISHED FINISH NOT AVAILABLE.
OTHER CUSTOM FINISH FEASIBILITY TO BE VALIDATED BEFORE ORDER

EDGE COMPONENT:
BLACK FOR DARK COLOR POWDER
GREY FOR LIGHT COLOR POWDER
AND STAINLESS STEEL

DOOR PREPARATION DP3
page K-Lock_236

SPACERS FOR DOUBLE GLAZED DOOR
KLA.KIT.9RU2
page K-Lock_231 - page K-Lock_232

STRIKE DETAILS
page K-Lock_228

DIFFERENCES IN THE FINISHING OF (DIFFERENT) COMPONENTS ARE
DUE TO THE DIFFERENT PRODUCTION METHODS. THESE VARIATIONS
ARE NOT CONSIDERED DEFECTS AND ARE A NATURAL RESULT OF THE
FINISHING PROCESS.

THESE PRODUCTS CONTRIBUTE TO LEED® CREDITS

ALL DIMENSIONS IN THE CATALOG DRAWINGS ARE APPROXIMATIONS.
REQUEST THE APPROPRIATE TECHNICAL DRAWING BEFORE DOOR
PREPARATION AND INSTALLATION.

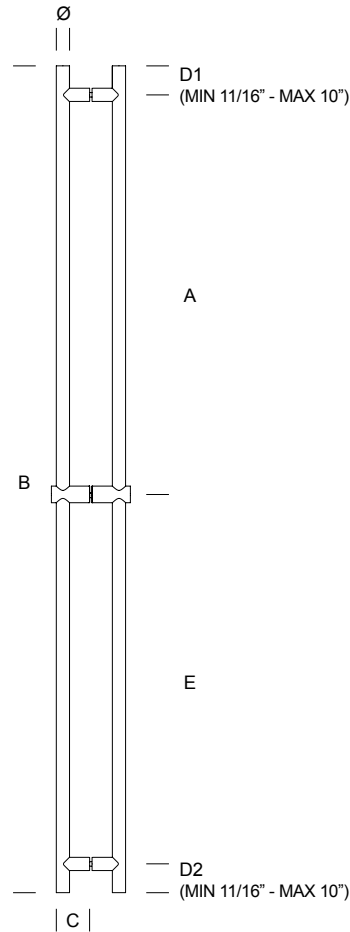


COMBINED NON LOCKING
page K-Lock_159

ITEM
KLA.0G2.00RU
KLA.0G2.99RU
KLA.0G2.RU48
KLA.0G2.RU60
KLA.0G2.RU72



NON LOCKING
FULL SIZE



BACK TO BACK FIXING KIT
ALWAYS INCLUDED
SUITABLE FOR GLASS /
WOOD / METAL DOOR

PAIR

PAIR	ITEM	A	B	C	D1	D2	E	Ø
	KLA.0G4.000U. xx	1050 mm 41 11/32"	2200 mm 86 5/8"	85 mm 3 11/32"	75 mm 2 15/16"	75 mm 2 15/16"	1000 mm 39 3/8"	37 mm 1 29/64"
	KLA.0G4.0U72. xx	custom	1828 mm 72"	85 mm 3 11/32"	custom	custom	custom	37 mm 1 29/64"
	KLA.0G4.0U84. xx	custom	2133 mm 84"	85 mm 3 11/32"	custom	custom	custom	37 mm 1 29/64"
	KLA.0G4.999U. xx	custom	custom	85 mm 3 11/32"	custom	custom	custom	37 mm 1 29/64"

Silver Bronze Black Champagne



.XX = FINISH CODE

- SATIN ANODIZED ALUMINUM
- .69 SILVER
- .67 BRONZE
- .68 BLACK
- .66 CHAMPAGNE

CUSTOM ANODIZED POLISHED FINISH NOT AVAILABLE.
OTHER CUSTOM FINISH FEASIBILITY TO BE VALIDATED BEFORE ORDER

EDGE COMPONENT:
BLACK FOR DARK COLOR POWDER
GREY FOR LIGHT COLOR POWDER

DOOR PREPARATION DP1
page K-Lock_234

SPACERS FOR DOUBLE GLAZED DOOR
KLA.KIT.99U4
page K-Lock_231 - page K-Lock_232

DIFFERENCES IN THE FINISHING OF (DIFFERENT) COMPONENTS ARE DUE TO THE DIFFERENT PRODUCTION METHODS. THESE VARIATIONS ARE NOT CONSIDERED DEFECTS AND ARE A NATURAL RESULT OF THE FINISHING PROCESS.

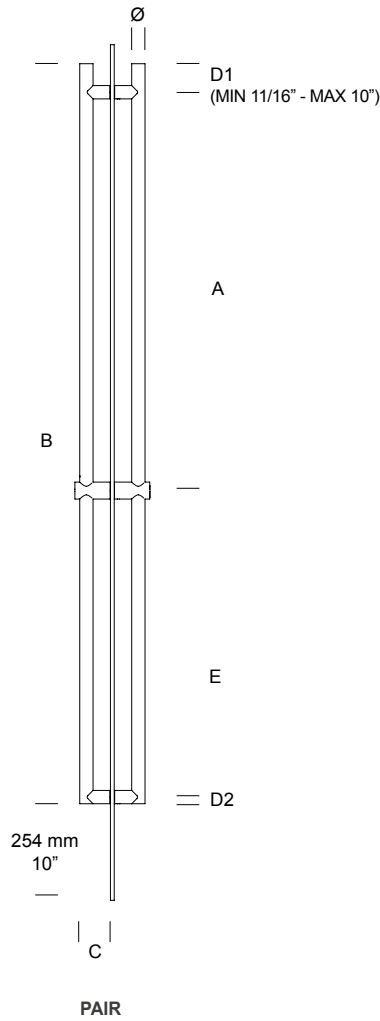
THESE PRODUCTS CONTRIBUTE TO LEED® CREDITS

ALL DIMENSIONS IN THE CATALOG DRAWINGS ARE APPROXIMATIONS. REQUEST THE APPROPRIATE TECHNICAL DRAWING BEFORE DOOR PREPARATION AND INSTALLATION.



NON LOCKING TO MATCH PULL ON
page K-Lock_152

NON LOCKING
FULL SIZE



ADA
10"
clearance
Layout

BACK TO BACK FIXING KIT
ALWAYS INCLUDED
SUITABLE FOR GLASS /
WOOD / METAL DOOR

	ITEM	A	B	C	D1	D2	E	Ø
PAIR	KLA.0G4.00RU. xx	1050 mm 41 11/32"	1945 mm 76 9/16"	85 mm 3 11/32"	75 mm 2 15/16"	17,5 mm 11/16"	802 mm 31 9/16"	37 mm 1 29/64"
	KLA.0G4.RU72. xx	custom	1828 mm 72"	85 mm 3 11/32"	custom	17,5 mm 11/16"	custom	37 mm 1 29/64"
	KLA.0G4.99RU. xx	custom	custom	85 mm 3 11/32"	custom	17,5 mm 11/16"	custom	37 mm 1 29/64"

Silver Bronze Black Champagne



.XX = FINISH CODE

SATIN ANODIZED ALUMINUM

- .69 SILVER
- .67 BRONZE
- .68 BLACK
- .66 CHAMPAGNE

CUSTOM ANODIZED POLISHED FINISH NOT AVAILABLE.
OTHER CUSTOM FINISH FEASIBILITY TO BE VALIDATED BEFORE ORDER

EDGE COMPONENT:

BLACK FOR DARK COLOR POWDER
GREY FOR LIGHT COLOR POWDER

DOOR PREPARATION DP1
page K-Lock_234

SPACERS FOR DOUBLE GLAZED DOOR
KLA.KIT.99U4
page K-Lock_231 - page K-Lock_232

DIFFERENCES IN THE FINISHING OF (DIFFERENT) COMPONENTS ARE DUE TO THE DIFFERENT PRODUCTION METHODS. THESE VARIATIONS ARE NOT CONSIDERED DEFECTS AND ARE A NATURAL RESULT OF THE FINISHING PROCESS.

THESE PRODUCTS CONTRIBUTE TO LEED® CREDITS

ALL DIMENSIONS IN THE CATALOG DRAWINGS ARE APPROXIMATIONS.
REQUEST THE APPROPRIATE TECHNICAL DRAWING BEFORE DOOR PREPARATION AND INSTALLATION.



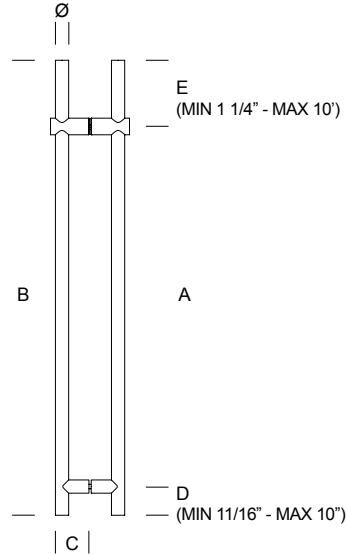
Declare

NON LOCKING TO MATCH PULL ON
page K-Lock_153

NON LOCKING
HALF SIZE



BACK TO BACK FIXING KIT
ALWAYS INCLUDED
SUITABLE FOR GLASS /
WOOD / METAL DOOR



PAIR

	ITEM	A	B	C	D	E	Ø
PAIR	KLA.0G2.000U. xx	1000 mm 39 3/8"	1250 mm 49 1/4"	85 mm 3 11/32"	75 mm 2 15/16"	175 mm 6 7/8"	37 mm 1 29/64"
	KLA.0G2.0U48. xx	custom	1219 mm 48"	85 mm 3 11/32"	custom	custom	37 mm 1 29/64"
	KLA.0G2.0U60. xx	custom	1524 mm 60"	85 mm 3 11/32"	custom	custom	37 mm 1 29/64"
	KLA.0G2.999U. xx	custom	custom	85 mm 3 11/32"	custom	custom	37 mm 1 29/64"

Silver Bronze Black Champagne



.XX = FINISH CODE

- SATIN ANODIZED ALUMINUM
- .69 SILVER
- .67 BRONZE
- .68 BLACK
- .66 CHAMPAGNE

CUSTOM ANODIZED POLISHED FINISH NOT AVAILABLE.
OTHER CUSTOM FINISH FEASIBILITY TO BE VALIDATED BEFORE ORDER

EDGE COMPONENT:
BLACK FOR DARK COLOR POWDER
GREY FOR LIGHT COLOR POWDER

DOOR PREPARATION DP2
page K-Lock_235

SPACERS FOR DOUBLE GLAZED DOOR
KLA.KIT.99U2
page K-Lock_231 - page K-Lock_232

DIFFERENCES IN THE FINISHING OF (DIFFERENT) COMPONENTS ARE DUE TO THE DIFFERENT PRODUCTION METHODS. THESE VARIATIONS ARE NOT CONSIDERED DEFECTS AND ARE A NATURAL RESULT OF THE FINISHING PROCESS.

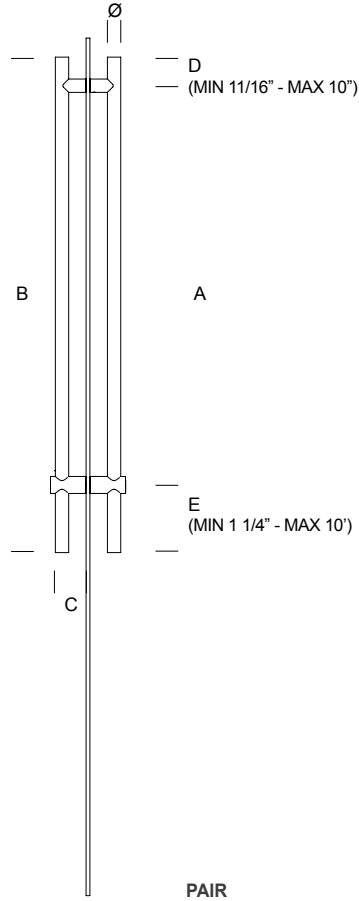
THESE PRODUCTS CONTRIBUTE TO LEED® CREDITS

ALL DIMENSIONS IN THE CATALOG DRAWINGS ARE APPROXIMATIONS.
REQUEST THE APPROPRIATE TECHNICAL DRAWING BEFORE DOOR PREPARATION AND INSTALLATION.



NON LOCKING TO MATCH PULL ON
page K-Lock_154

NON LOCKING
HALF SIZE



ADA
10"
clearance
layout

BACK TO BACK FIXING KIT
ALWAYS INCLUDED
SUITABLE FOR GLASS /
WOOD / METAL DOOR

	ITEM	A	B	C	D	E	Ø
PAIR	KLA.0G2.00RU. xx	1050 mm 41 11/32"	1300 mm 51 3/16"	85 mm 3 11/32"	75 mm 2 15/16"	175 mm 6 7/8"	37 mm 1 29/64"
	KLA.0G2.RU48. xx	custom	1219 mm 48"	85 mm 3 11/32"	custom	custom	37 mm 1 29/64"
	KLA.0G2.RU60. xx	custom	1524 mm 60"	85 mm 3 11/32"	custom	custom	37 mm 1 29/64"
	KLA.0G2.RU72. xx	custom	1828 mm 72"	85 mm 3 11/32"	custom	custom	37 mm 1 29/64"
	KLA.0G2.99RU. xx	custom	custom	85 mm 3 11/32"	custom	custom	37 mm 1 29/64"

Silver Bronze Black Champagne



.XX = FINISH CODE

- SATIN ANODIZED ALUMINUM
.69 SILVER
.67 BRONZE
.68 BLACK
.66 CHAMPAGNE

CUSTOM ANODIZED POLISHED FINISH NOT AVAILABLE.
OTHER CUSTOM FINISH FEASIBILITY TO BE VALIDATED BEFORE ORDER

EDGE COMPONENT:
BLACK FOR DARK COLOR POWDER
GREY FOR LIGHT COLOR POWDER

DOOR PREPARATION DP3
page K-Lock_236

SPACERS FOR DOUBLE GLAZED DOOR
KLA.KIT.9RU2
page K-Lock_231 - page K-Lock_232

DIFFERENCES IN THE FINISHING OF (DIFFERENT) COMPONENTS ARE DUE TO THE DIFFERENT PRODUCTION METHODS. THESE VARIATIONS ARE NOT CONSIDERED DEFECTS AND ARE A NATURAL RESULT OF THE FINISHING PROCESS.

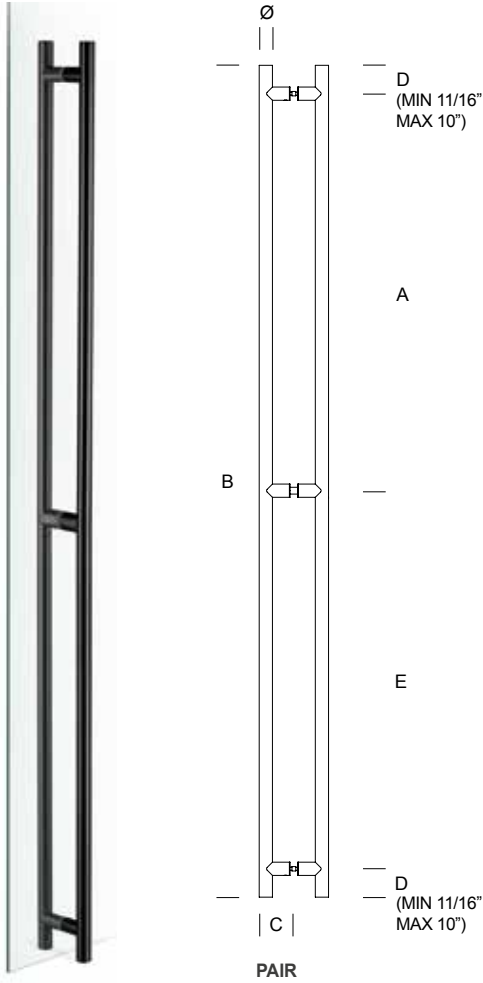
THESE PRODUCTS CONTRIBUTE TO LEED® CREDITS

ALL DIMENSIONS IN THE CATALOG DRAWINGS ARE APPROXIMATIONS. REQUEST THE APPROPRIATE TECHNICAL DRAWING BEFORE DOOR PREPARATION AND INSTALLATION.

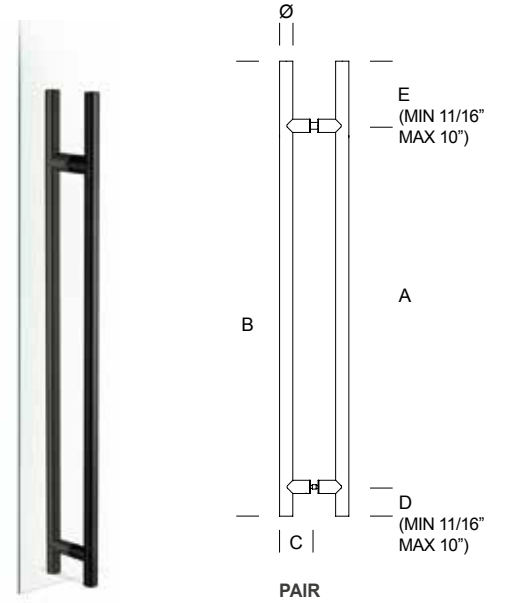


NON LOCKING TO MATCH PULL ON
page K-Lock_155

UNIVERSAL
NON LOCKING
FULL SIZE



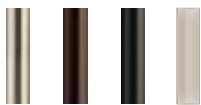
UNIVERSAL
NON LOCKING
HALF SIZE



ITEM	A	B	C	D	E	Ø
KLA.0G4.0000 .xx	1050 mm 41 11/32"	2200 mm 86 5/8"	85 mm 3 11/32"	75 mm 2 15/16"	1000 mm 39 3/8"	37 mm 1 29/64"
KLA.0G4.0072 .xx	custom	1828 mm 72"	85 mm 3 11/32"	custom	custom	37 mm 1 29/64"
KLA.0G4.0084 .xx	custom	2133 mm 84"	85 mm 3 11/32"	custom	custom	37 mm 1 29/64"
KLA.0G4.9999 .xx	custom	custom	85 mm 3 11/32"	custom	custom	37 mm 1 29/64"

ITEM	A	B	C	D	E	Ø
KLA.0G2.0000 .xx	1000 mm 39 3/8"	1250 mm 49 1/4"	85 mm 3 11/32"	75 mm 2 15/16"	175 mm 6 7/8"	37 mm 1 29/64"
KLA.0G2.0048 .xx	custom	1219 mm 48"	85 mm 3 11/32"	custom	custom	37 mm 1 29/64"
KLA.0G2.0060 .xx	custom	1524 mm 60"	85 mm 3 11/32"	custom	custom	37 mm 1 29/64"
KLA.0G2.9999 .xx	custom	custom	85 mm 3 11/32"	custom	custom	37 mm 1 29/64"

Silver Bronze Black Champagne .XX = FINISH CODE



SATIN ANODIZED ALUMINUM
.69 SILVER
.67 BRONZE
.68 BLACK
.66 CHAMPAGNE

CUSTOM ANODIZED POLISHED FINISH NOT AVAILABLE.
OTHER CUSTOM FINISH FEASIBILITY TO BE VALIDATED BEFORE ORDER

EDGE COMPONENT:
BLACK FOR DARK COLOR POWDER
GREY FOR LIGHT COLOR POWDER AND STAINLESS STEEL

DOOR PREPARATION:

DP4 (UNIVERSAL NO LOCKING FULL SIZE)
DP5 (UNIVERSAL NO LOCKING HALF SIZE)
page K-Lock_237 - page K-Lock_238

SPACERS FOR DOUBLE GLAZED DOOR

2AT.KIT.9910 (UNIVERSAL NO LOCKING FULL SIZE)
2AT.KIT.9909 (UNIVERSAL NO LOCKING HALF SIZE)
page K-Lock_231 - page K-Lock_232

BACK TO BACK FIXING KIT ALWAYS INCLUDED SUITABLE FOR GLASS / WOOD / METAL DOOR

DIFFERENCES IN THE FINISHING OF (DIFFERENT) COMPONENTS ARE DUE TO THE DIFFERENT PRODUCTION METHODS. THESE VARIATIONS ARE NOT CONSIDERED DEFECTS AND ARE A NATURAL RESULT OF THE FINISHING PROCESS.

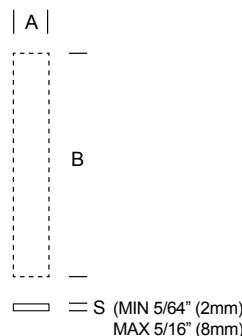
ALL DIMENSIONS IN THE CATALOG DRAWINGS ARE APPROXIMATIONS. REQUEST THE APPROPRIATE TECHNICAL DRAWING BEFORE DOOR PREPARATION AND INSTALLATION.

THESE PRODUCTS CONTRIBUTE TO LEED® CREDITS



STAINLESS STEEL PLATE / PLAQUE ON REQUEST - PLACCA / PIASTRA A MISURA IN ACCIAIO INOX

ITEM	A	B	S
2MM.PLA.9999 .xx	custom	custom	custom



AVAILABLE WITH HOLES FOR FIXING WITH SCREWS OR WITHOUT HOLES FOR GLUING. FIXINGS NOT INCLUDED

DISPONIBILE CON FORI PER FISSAGGIO CON VITI O SENZA FORI PER INCOLLAGGIO. FISSAGGI NON INCLUSI.

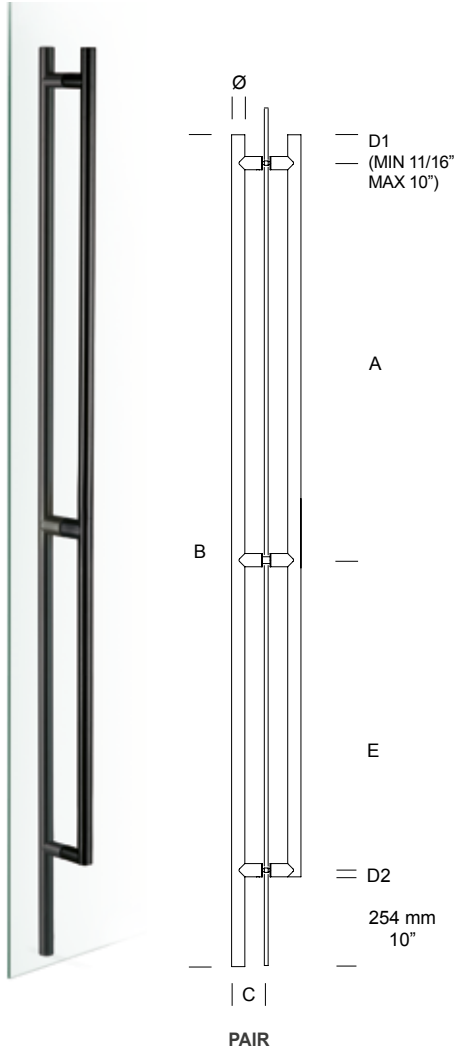
.XX = FINISH CODE

STAINLESS STEEL
.43 BRIGHT STAINLESS STEEL (ANSI/BHMA 629 - USD32)
.44 SATIN STAINLESS STEEL (ANSI/BHMA 630 - USD32D)

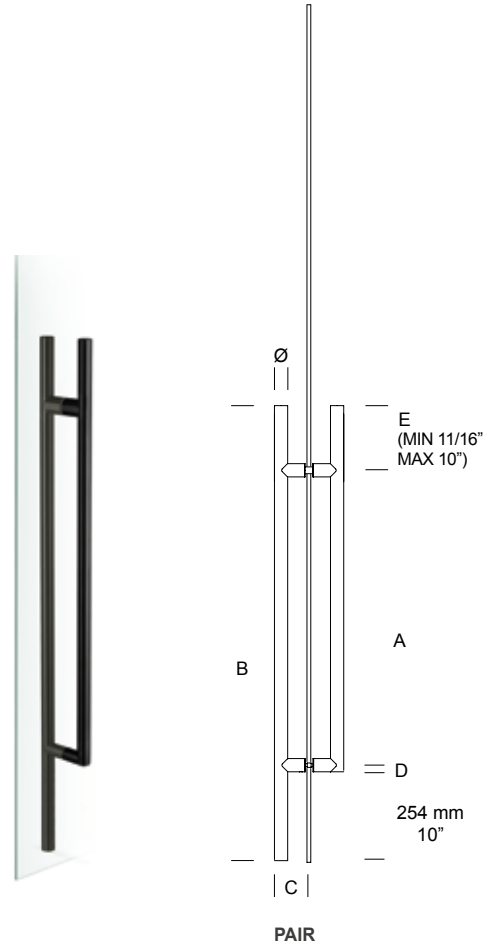
STAINLESS STEEL POWDER-COATED ON REQUEST
.26 BLACK RAL 9005 MAT - TO MATCH WITH PBA BLACK ALUMINUM
.31 WHITE RAL 9010
.32 GREY
.38 CHAMPAGNE
.39 BRONZE - TO MATCH WITH PBA BRONZE ALUMINUM
.36 ARCHITECTURAL BRONZE
.56 MEDIUM BRONZE
.41 SILVER
.55 GOLD

.99 COLOURS ON REQUEST TO MATCH ANY RAL # (screws, grub screws and plastic parts non powdercoated) available on request depending on quantities

UNIVERSAL
NON LOCKING
FULL SIZE



UNIVERSAL
NON LOCKING
HALF SIZE



ITEM	A	B	C	D1-D2	E	Ø
KLA.0G4.999T.xx PAIR	custom	custom	85 mm 3 11/32"	custom	custom	37 mm 1 29/64

ITEM	A	B	C	D	E	Ø
KLA.0G2.999T PAIR	custom	custom	85 mm 3 11/32"	17,5 mm 11/16"	custom	37 mm 1 29/64

Silver Bronze Black Champagne



.XX = FINISH CODE

SATIN ANODIZED ALUMINUM
.69 SILVER
.67 BRONZE
.68 BLACK
.66 CHAMPAGNE

CUSTOM ANODIZED POLISHED FINISH NOT AVAILABLE.
OTHER CUSTOM FINISH FEASIBILITY TO BE VALIDATED BEFORE ORDER

EDGE COMPONENT:
BLACK FOR DARK COLOR POWDER
GREY FOR LIGHT COLOR POWDER
AND STAINLESS STEEL

DOOR PREPARATION:
DP4 (UNIVERSAL NO LOCKING FULL SIZE)
DP5 (UNIVERSAL NO LOCKING HALF SIZE)
page K-Lock_237 - page K-Lock_238

SPACERS FOR DOUBLE GLAZED DOOR
2AT.KIT.9910 (UNIVERSAL NO LOCKING FULL SIZE)
2AT.KIT.9909 (UNIVERSAL NO LOCKING HALF SIZE)
page K-Lock_231 - page K-Lock_232

BACK TO BACK FIXING KIT ALWAYS INCLUDED
SUITABLE FOR GLASS / WOOD / METAL DOOR

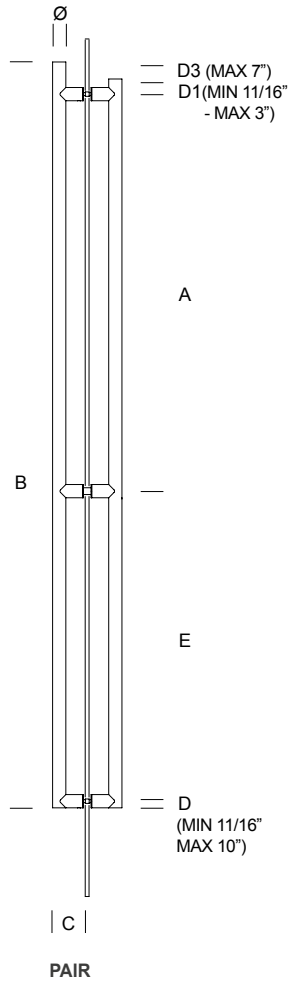


ALL DIMENSIONS IN THE CATALOG DRAWINGS ARE APPROXIMATIONS.
REQUEST THE APPROPRIATE TECHNICAL DRAWING BEFORE DOOR
PREPARATION AND INSTALLATION.

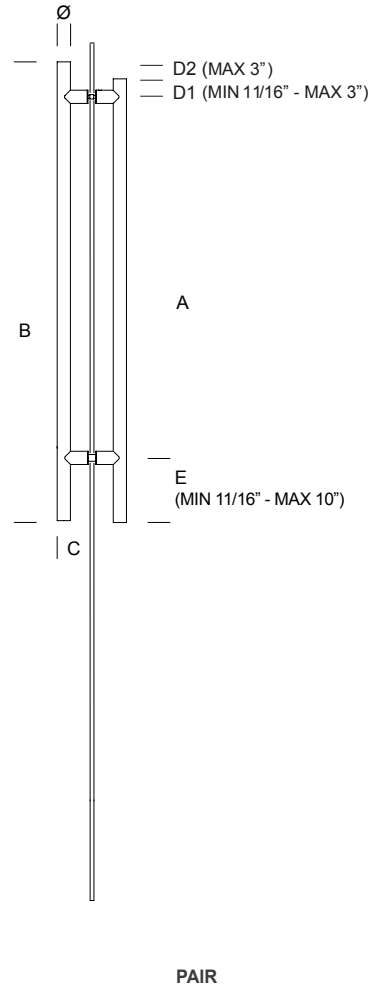
THESE PRODUCTS CONTRIBUTE TO LEED® CREDITS

DIFFERENCES IN THE FINISHING OF (DIFFERENT) COMPONENTS ARE
DUE TO THE DIFFERENT PRODUCTION METHODS. THESE VARIATIONS
ARE NOT CONSIDERED DEFECTS AND ARE A NATURAL RESULT OF THE
FINISHING PROCESS.

UNIVERSAL
NON LOCKING
FULL SIZE



UNIVERSAL
NON LOCKING
HALF SIZE



ITEM	A	B	C	D-D2-D3	E	Ø
KLA.0G4.999Z. xx	custom	custom	85 mm 3 11/32"	custom	custom	37 mm 1 29/64
PAIR						

ITEM	A	B	C	D	E	Ø
KLA.0G2.999Z. xx	custom	custom	85 mm 3 11/32"	custom	custom	37 mm 1 29/64
PAIR						

Silver Bronze Black Champagne



.XX = FINISH CODE

SATIN ANODIZED ALUMINUM
 .69 SILVER
 .67 BRONZE
 .68 BLACK
 .66 CHAMPAGNE

CUSTOM ANODIZED POLISHED FINISH NOT AVAILABLE.
 OTHER CUSTOM FINISH FEASIBILITY TO BE VALIDATED BEFORE ORDER

EDGE COMPONENT:
 BLACK FOR DARK COLOR POWDER
 GREY FOR LIGHT COLOR POWDER
 AND STAINLESS STEEL

DOOR PREPARATION:
 DP4 (UNIVERSAL NO LOCKING FULL SIZE)
 DP5 (UNIVERSAL NO LOCKING HALF SIZE)
 page K-Lock_237 - page K-Lock_238

SPACERS FOR DOUBLE GLAZED DOOR
 2AT.KIT.9910 (UNIVERSAL NO LOCKING FULL SIZE)
 2AT.KIT.9909 (UNIVERSAL NO LOCKING HALF SIZE)
 page K-Lock_231 - page K-Lock_232

BACK TO BACK FIXING KIT ALWAYS INCLUDED
 SUITABLE FOR GLASS / WOOD / METAL DOOR

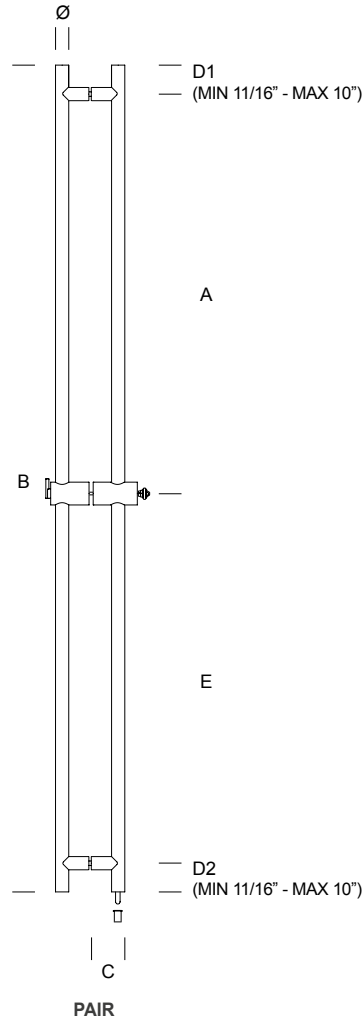


ALL DIMENSIONS IN THE CATALOG DRAWINGS ARE APPROXIMATIONS.
 REQUEST THE APPROPRIATE TECHNICAL DRAWING BEFORE DOOR
 PREPARATION AND INSTALLATION.

THESE PRODUCTS CONTRIBUTE TO LEED® CREDITS

DIFFERENCES IN THE FINISHING OF (DIFFERENT) COMPONENTS ARE
 DUE TO THE DIFFERENT PRODUCTION METHODS. THESE VARIATIONS
 ARE NOT CONSIDERED DEFECTS AND ARE A NATURAL RESULT OF THE
 FINISHING PROCESS.

LOCKING
FULL SIZE

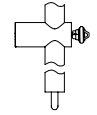


PBA
PATENTED
SYSTEM

PATENT
ITALY 10201800000636
USA 16/223,804

PATENT
ITALY 102018000003005
USA 10,829,958 B2

KEY
side bolt



KEY SIDE BOLT

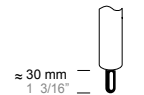
CYLINDER NOT INCLUDED
PBA CAN ACCOMODATE
ANY MORTISE CYLINDER BRAND



MORTISE
CYLINDER
STANDARD



ADA COMPLIANT
THUMBTURN



ADJUSTABLE STEEL
DEAD BOLT



DUST-FREE
FLOOR SOCKET

BRAND OF COMPATIBLE RIM CYLINDER:

- ARROW	- BEST
- CORBIN RUSSWIN	- KABAILCO
- MEDECO	- SARGENT
- SCHLAGE	- YALE

	ITEM	A	B	C	D1	D2	E	Ø
PAIR BOTTOM LOCKING	KLA.FM4.0000.xx	1050 mm 41 11/32"	2200 mm 86 5/8"	85 mm 3 11/32"	75 mm 2 15/16"	75 mm 2 15/16"	1000 mm 39 3/8"	37 mm 1 29/64"
	KLA.FM4.0072.xx	custom	1828 mm 72"	85 mm 3 11/32"	custom	custom	custom	37 mm 1 29/64"
	KLA.FM4.0084.xx	custom	2133 mm 84"	85 mm 3 11/32"	custom	custom	custom	37 mm 1 29/64"
	KLA.FM4.9999.xx	custom	custom	85 mm 3 11/32"	custom	custom	custom	37 mm 1 29/64"
PAIR TOP/BOTTOM LOCKING	KLA.FM6.0000.xx	1050 mm 41 11/32"	2200 mm 86 5/8"	85 mm 3 11/32"	75 mm 2 15/16"	75 mm 2 15/16"	1000 mm 39 3/8"	37 mm 1 29/64"
	KLA.FM6.9999.xx	custom	custom	85 mm 3 11/32"	custom	custom	custom	37 mm 1 29/64"

Silver Bronze Black Champagne



.XX = FINISH CODE

- SATIN ANODIZED ALUMINUM
- .69 SILVER
 - .67 BRONZE
 - .68 BLACK
 - .66 CHAMPAGNE

CUSTOM ANODIZED POLISHED FINISH NOT AVAILABLE.
OTHER CUSTOM FINISH FEASIBILITY TO BE VALIDATED BEFORE ORDER

EDGE COMPONENT:
BLACK FOR DARK COLOR POWDER
GREY FOR LIGHT COLOR POWDER
AND STAINLESS STEEL

DOOR PREPARATION DP1
page K-Lock_234

SPACERS FOR DOUBLE GLAZED DOOR
KLA.KIT.99M4
page K-Lock_231 - page K-Lock_232

STRIKE DETAILS
page K-Lock_228

DIFFERENCES IN THE FINISHING OF (DIFFERENT) COMPONENTS ARE
DUE TO THE DIFFERENT PRODUCTION METHODS. THESE VARIATIONS
ARE NOT CONSIDERED DEFECTS AND ARE A NATURAL RESULT OF THE
FINISHING PROCESS.

THESE PRODUCTS CONTRIBUTE TO LEED® CREDITS

ALL DIMENSIONS IN THE CATALOG DRAWINGS ARE APPROXIMATIONS.
REQUEST THE APPROPRIATE TECHNICAL DRAWING BEFORE DOOR
PREPARATION AND INSTALLATION.

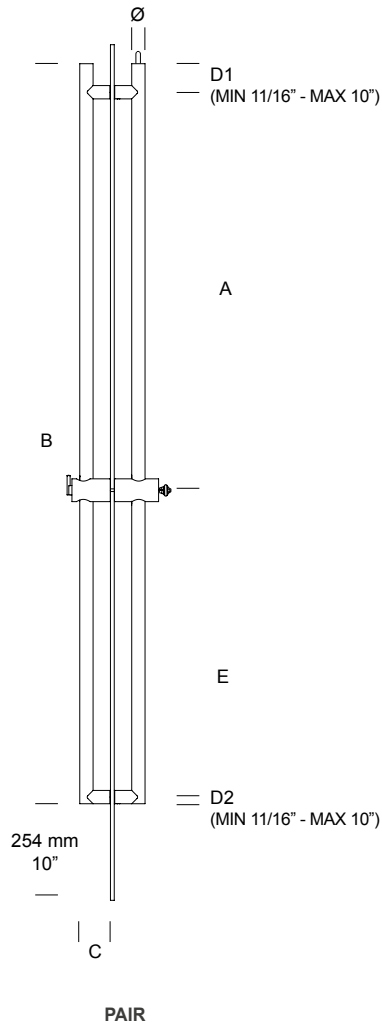


COMBINED NON LOCKING
page K-Lock_167

ITEM
KLA.0G4.000M
KLA.0G4.999M
KLA.0G4.0M72
KLA.0G4.0M84



LOCKING
FULL SIZE

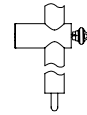


ADA
10"
clearance
Layout



PATENT
ITALY 102018000000636
USA 16/223,804
PATENT
ITALY 102018000003005
USA 10,829,958 B2

KEY
side bolt



KEY SIDE BOLT

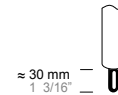
CYLINDER NOT INCLUDED
PBA CAN ACCOMMODATE
ANY MORTISE CYLINDER BRAND



MORTISE
CYLINDER
STANDARD



ADA COMPLIANT
THUMBTURN



ADJUSTABLE STEEL
DEAD BOLT



DUST-FREE
FLOOR SOCKET

BRAND OF COMPATIBLE RIM CYLINDER:	
- ARROW	- BEST
- CORBIN RUSSWIN	- KABAILCO
- MEDECO	- SARGENT
- SCHLAGE	- YALE

	ITEM	A	B	C	D1	D2	E	Ø
PAIR	KLA.FM4.000R. xx	1050 mm 41 11/32"	1945 mm 76 9/16"	85 mm 3 11/32"	75 mm 2 15/16"	17,5 mm 11/16"	802 mm 31 9/16"	37 mm 1 29/64"
TOP LOCKING	KLA.FM4.0R72. xx	custom	1828 mm 72"	85 mm 3 11/32"	custom	custom	custom	37 mm 1 29/64"
	KLA.FM4.999R. xx	custom	custom	85 mm 3 11/32"	custom	custom	custom	37 mm 1 29/64"

Silver Bronze Black Champagne



.XX = FINISH CODE

SATIN ANODIZED ALUMINUM
.69 SILVER
.67 BRONZE
.68 BLACK
.66 CHAMPAGNE

CUSTOM ANODIZED POLISHED FINISH NOT AVAILABLE.
OTHER CUSTOM FINISH FEASIBILITY TO BE VALIDATED BEFORE ORDER

EDGE COMPONENT:
BLACK FOR DARK COLOR POWDER
GREY FOR LIGHT COLOR POWDER
AND STAINLESS STEEL

DOOR PREPARATION DP1
page K-Lock_234

SPACERS FOR DOUBLE GLAZED DOOR
KLA.KIT.99M4
page K-Lock_231 - page K-Lock_232

STRIKE DETAILS
page K-Lock_228

DIFFERENCES IN THE FINISHING OF (DIFFERENT) COMPONENTS ARE
DUE TO THE DIFFERENT PRODUCTION METHODS. THESE VARIATIONS
ARE NOT CONSIDERED DEFECTS AND ARE A NATURAL RESULT OF THE
FINISHING PROCESS.

THESE PRODUCTS CONTRIBUTE TO LEED® CREDITS

ALL DIMENSIONS IN THE CATALOG DRAWINGS ARE APPROXIMATIONS.
REQUEST THE APPROPRIATE TECHNICAL DRAWING BEFORE DOOR
PREPARATION AND INSTALLATION.

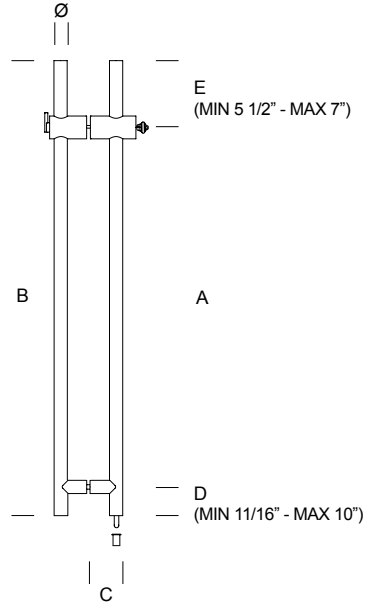


COMBINED NON LOCKING
page K-Lock_168

ITEM
KLA.0G4.00RM
KLA.0G4.99RM
KLA.0G4.RM72



LOCKING
HALF SIZE

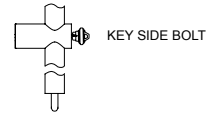


PAIR



PATENT
ITALY 102018000000636
USA 16/223,804
PATENT
ITALY 102018000003005
USA 10,829,958 B2

KEY
side bolt



CYLINDER NOT INCLUDED
PBA CAN ACCOMODATE
ANY MORTISE CYLINDER BRAND



BRAND OF COMPATIBLE RIM CYLINDER:	
- ARROW	- BEST
- CORBIN RUSSWIN	- KABAILCO
- MEDECO	- SARGENT
- SCHLAGE	- YALE

PAIR

BOTTOM
LOCKING



ITEM	A	B	C	D	E	Ø
KLA.FM2.0000. xx	1000 mm 39 3/8"	1250 mm 49 1/4"	85 mm 3 11/32"	75 mm 2 15/16"	175 mm 6 7/8"	37 mm 1 29/64"
KLA.FM2.0048. xx	custom	1219 mm 48"	85 mm 3 11/32"	custom	custom	37 mm 1 29/64"
KLA.FM2.0060. xx	custom	1524 mm 60"	85 mm 3 11/32"	custom	custom	37 mm 1 29/64"
KLA.FM2.9999. xx	custom	custom	85 mm 3 11/32"	custom	custom	37 mm 1 29/64"

Silver Bronze Black Champagne



.XX = FINISH CODE

SATIN ANODIZED ALUMINUM
.69 SILVER
.67 BRONZE
.68 BLACK
.66 CHAMPAGNE

CUSTOM ANODIZED POLISHED FINISH NOT AVAILABLE.
OTHER CUSTOM FINISH FEASIBILITY TO BE VALIDATED BEFORE ORDER

EDGE COMPONENT:
BLACK FOR DARK COLOR POWDER
GREY FOR LIGHT COLOR POWDER
AND STAINLESS STEEL

DOOR PREPARATION DP2
page K-Lock_235

SPACERS FOR DOUBLE GLAZED DOOR
KLA.KIT.99M2
page K-Lock_231 - page K-Lock_232

DIFFERENCES IN THE FINISHING OF (DIFFERENT) COMPONENTS ARE
DUE TO THE DIFFERENT PRODUCTION METHODS. THESE VARIATIONS
ARE NOT CONSIDERED DEFECTS AND ARE A NATURAL RESULT OF THE
FINISHING PROCESS.

THESE PRODUCTS CONTRIBUTE TO LEED® CREDITS

ALL DIMENSIONS IN THE CATALOG DRAWINGS ARE APPROXIMATIONS.
REQUEST THE APPROPRIATE TECHNICAL DRAWING BEFORE DOOR
PREPARATION AND INSTALLATION.

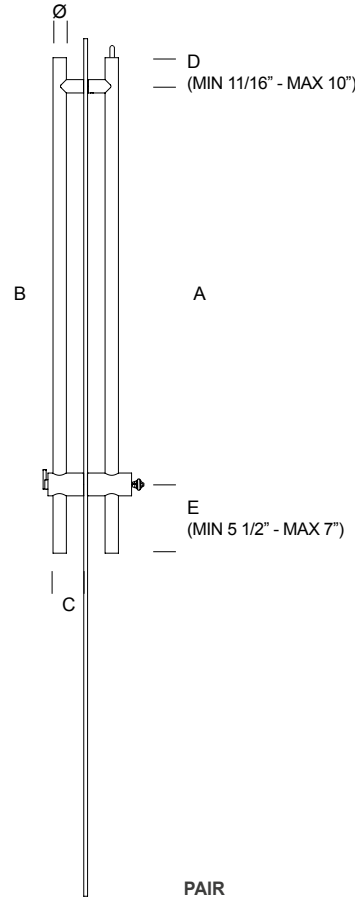


COMBINED NON LOCKING
page K-Lock_169

ITEM
KLA.0G2.000M
KLA.0G2.099M
KLA.0G2.0M48
KLA.0G2.0M60



LOCKING
HALF SIZE

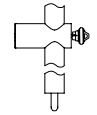


ADA
10"
clearance
Layout



PATENT
ITALY 102018000000636
USA 16/223,804
PATENT
ITALY 102018000003005
USA 10,829,958 B2

KEY
side bolt



KEY SIDE BOLT

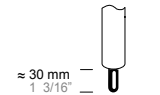
CYLINDER NOT INCLUDED
PBA CAN ACCOMMODATE
ANY MORTISE CYLINDER BRAND



MORTISE
CYLINDER
STANDARD



ADA COMPLIANT
THUMBTURN



ADJUSTABLE STEEL
DEAD BOLT



DUST-FREE
FLOOR SOCKET

BRAND OF COMPATIBLE RIM CYLINDER:	
- ARROW	- BEST
- CORBIN RUSSWIN	- KABAILCO
- MEDECO	- SARGENT
- SCHLAGE	- YALE

PAIR

TOP
LOCKING



ITEM	A	B	C	D	E	Ø
KLA.FM2.000R . xx	1050 mm 41 11/32"	1300 mm 51 3/16"	85 mm 3 11/32"	75 mm 2 15/16"	175 mm 6 7/8"	37 mm 1 29/64"
KLA.FM2.0R48 . xx	custom	1219 mm 48"	85 mm 3 11/32"	custom	custom	37 mm 1 29/64"
KLA.FM2.0R60 . xx	custom	1524 mm 60"	85 mm 3 11/32"	custom	custom	37 mm 1 29/64"
KLA.FM2.0R72 . xx	custom	1828 mm 72"	85 mm 3 11/32"	custom	custom	37 mm 1 29/64"
KLA.FM2.999R . xx	custom	custom	85 mm 3 11/32"	custom	custom	37 mm 1 29/64"

Silver Bronze Black Champagne



.XX = FINISH CODE

SATIN ANODIZED ALUMINUM

- .69 SILVER
- .67 BRONZE
- .68 BLACK
- .66 CHAMPAGNE

CUSTOM ANODIZED POLISHED FINISH NOT AVAILABLE.
OTHER CUSTOM FINISH FEASIBILITY TO BE VALIDATED BEFORE ORDER

EDGE COMPONENT:
BLACK FOR DARK COLOR POWDER
GREY FOR LIGHT COLOR POWDER
AND STAINLESS STEEL

DOOR PREPARATION DP3
page K-Lock_236

SPACERS FOR DOUBLE GLAZED DOOR
KLA.KIT.9RM2
page K-Lock_231 - page K-Lock_232

STRIKE DETAILS
page K-Lock_228

DIFFERENCES IN THE FINISHING OF (DIFFERENT) COMPONENTS ARE
DUE TO THE DIFFERENT PRODUCTION METHODS. THESE VARIATIONS
ARE NOT CONSIDERED DEFECTS AND ARE A NATURAL RESULT OF THE
FINISHING PROCESS.

THESE PRODUCTS CONTRIBUTE TO LEED® CREDITS

ALL DIMENSIONS IN THE CATALOG DRAWINGS ARE APPROXIMATIONS.
REQUEST THE APPROPRIATE TECHNICAL DRAWING BEFORE DOOR
PREPARATION AND INSTALLATION.

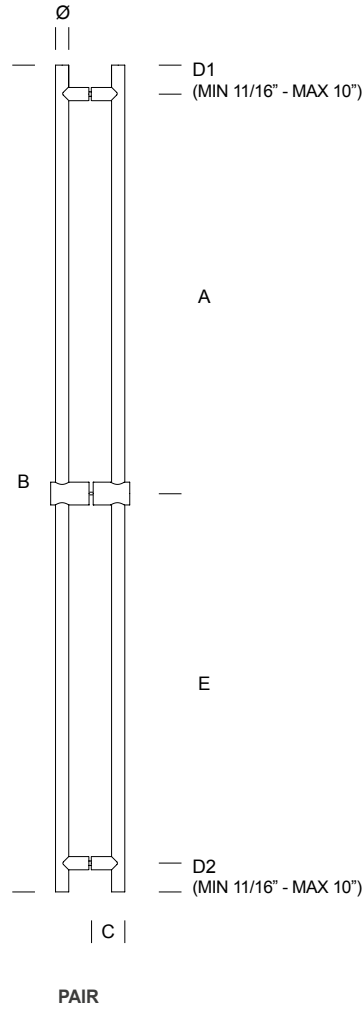


COMBINED NON LOCKING
page K-Lock_170

ITEM
KLA.0G2.00RM
KLA.0G2.99RM
KLA.0G2.RM48
KLA.0G2.RM60
KLA.0G2.RM72



NON LOCKING
FULL SIZE




BACK TO BACK FIXING KIT
ALWAYS INCLUDED
SUITABLE FOR GLASS /
WOOD / METAL DOOR

PAIR	ITEM	A	B	C	D1	D2	E	Ø
	KLA.0G4.000M. xx	1050 mm 41 11/32"	2200 mm 86 5/8"	85 mm 3 11/32"	75 mm 2 15/16"	75 mm 2 15/16"	1000 mm 39 3/8"	37 mm 1 29/64"
	KLA.0G4.0M72. xx	custom	1828 mm 72"	85 mm 3 11/32"	custom	custom	custom	37 mm 1 29/64"
	KLA.0G4.0M84. xx	custom	2133 mm 84"	85 mm 3 11/32"	custom	custom	custom	37 mm 1 29/64"
	KLA.0G4.999M. xx	custom	custom	85 mm 3 11/32"	custom	custom	custom	37 mm 1 29/64"

Silver Bronze Black Champagne



.XX = FINISH CODE

- SATIN ANODIZED ALUMINUM
.69 SILVER
.67 BRONZE
.68 BLACK
.66 CHAMPAGNE

CUSTOM ANODIZED POLISHED FINISH NOT AVAILABLE.
OTHER CUSTOM FINISH FEASIBILITY TO BE VALIDATED BEFORE ORDER

EDGE COMPONENT:
BLACK FOR DARK COLOR POWDER
GREY FOR LIGHT COLOR POWDER
AND STAINLESS STEEL

DOOR PREPARATION DP1
page K-Lock_234

SPACERS FOR DOUBLE GLAZED DOOR
KLA.KIT.99M4
page K-Lock_231 - page K-Lock_232

DIFFERENCES IN THE FINISHING OF (DIFFERENT) COMPONENTS ARE DUE TO THE DIFFERENT PRODUCTION METHODS. THESE VARIATIONS ARE NOT CONSIDERED DEFECTS AND ARE A NATURAL RESULT OF THE FINISHING PROCESS.

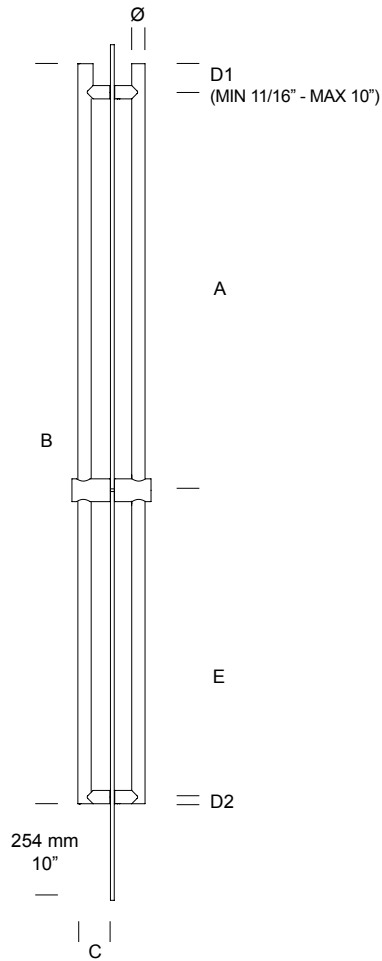
THESE PRODUCTS CONTRIBUTE TO LEED® CREDITS

ALL DIMENSIONS IN THE CATALOG DRAWINGS ARE APPROXIMATIONS. REQUEST THE APPROPRIATE TECHNICAL DRAWING BEFORE DOOR PREPARATION AND INSTALLATION.



NON LOCKING TO MATCH PULL ON
page K-Lock_163

NON LOCKING
FULL SIZE



ADA
10"
clearance
layout

BACK TO BACK FIXING KIT
ALWAYS INCLUDED
SUITABLE FOR GLASS /
WOOD / METAL DOOR

PAIR

PAIR	ITEM	A	B	C	D1	D2	E	Ø
	KLA.0G4.00RM. xx	1050 mm 41 11/32"	1945 mm 76 9/16"	85 mm 3 11/32"	75 mm 2 15/16"	17,5 mm 11/16"	802 mm 31 9/16"	37 mm 1 29/64"
	KLA.0G4.RM72. xx	custom	1828 mm 72"	85 mm 3 11/32"	custom	17,5 mm 11/16"	custom	37 mm 1 29/64"
	KLA.0G4.99RM. xx	custom	custom	85 mm 3 11/32"	75 mm 2 15/16"	17,5 mm 11/16"	802 mm 31 9/16"	37 mm 1 29/64"

Silver Bronze Black Champagne



.XX = FINISH CODE

- SATIN ANODIZED ALUMINUM
.69 SILVER
.67 BRONZE
.68 BLACK
.66 CHAMPAGNE

CUSTOM ANODIZED POLISHED FINISH NOT AVAILABLE.
OTHER CUSTOM FINISH FEASIBILITY TO BE VALIDATED BEFORE ORDER

EDGE COMPONENT:
BLACK FOR DARK COLOR POWDER
GREY FOR LIGHT COLOR POWDER
AND STAINLESS STEEL

DOOR PREPARATION DP1
page K-Lock_234

SPACERS FOR DOUBLE GLAZED DOOR
KLA.KIT.99M4
page K-Lock_231 - page K-Lock_232

DIFFERENCES IN THE FINISHING OF (DIFFERENT) COMPONENTS ARE
DUE TO THE DIFFERENT PRODUCTION METHODS. THESE VARIATIONS
ARE NOT CONSIDERED DEFECTS AND ARE A NATURAL RESULT OF THE
FINISHING PROCESS.

THESE PRODUCTS CONTRIBUTE TO LEED® CREDITS

ALL DIMENSIONS IN THE CATALOG DRAWINGS ARE APPROXIMATIONS.
REQUEST THE APPROPRIATE TECHNICAL DRAWING BEFORE DOOR
PREPARATION AND INSTALLATION.



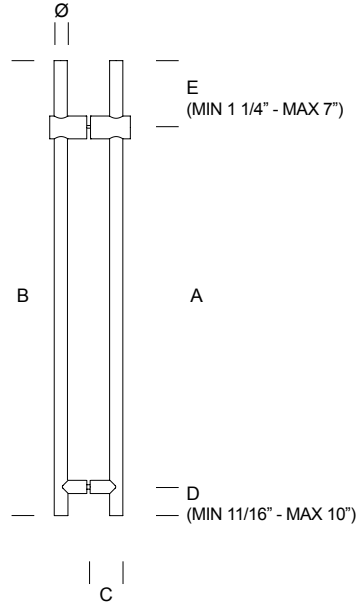
Declare™

NON LOCKING TO MATCH PULL ON
page K-Lock_164

NON LOCKING
HALF SIZE



BACK TO BACK FIXING KIT
ALWAYS INCLUDED
SUITABLE FOR GLASS /
WOOD / METAL DOOR



PAIR

PAIR	ITEM	A	B	C	D	E	Ø
	KLA.0G2.000M. xx	1000 mm 39 3/8"	1250 mm 49 1/4"	85 mm 3 11/32"	75 mm 2 15/16"	175 mm 6 7/8"	37 mm 1 29/64"
	KLA.0G2.0M48. xx	custom	1219 mm 48"	85 mm 3 11/32"	custom	custom	37 mm 1 29/64"
	KLA.0G2.0M60. xx	custom	1524 mm 60"	85 mm 3 11/32"	custom	custom	37 mm 1 29/64"
	KLA.0G2.999M. xx	custom	custom	85 mm 3 11/32"	custom	custom	37 mm 1 29/64"

Silver Bronze Black Champagne



.XX = FINISH CODE

SATIN ANODIZED ALUMINUM

- .69 SILVER
- .67 BRONZE
- .68 BLACK
- .66 CHAMPAGNE

CUSTOM ANODIZED POLISHED FINISH NOT AVAILABLE.
OTHER CUSTOM FINISH FEASIBILITY TO BE VALIDATED BEFORE ORDER

EDGE COMPONENT:

BLACK FOR DARK COLOR POWDER
GREY FOR LIGHT COLOR POWDER
AND STAINLESS STEEL

DOOR PREPARATION DP2
page K-Lock_235

SPACERS FOR DOUBLE GLAZED DOOR
KLA.KIT.99M2
page K-Lock_231 - page K-Lock_232

DIFFERENCES IN THE FINISHING OF (DIFFERENT) COMPONENTS ARE DUE TO THE DIFFERENT PRODUCTION METHODS. THESE VARIATIONS ARE NOT CONSIDERED DEFECTS AND ARE A NATURAL RESULT OF THE FINISHING PROCESS.

THESE PRODUCTS CONTRIBUTE TO LEED® CREDITS

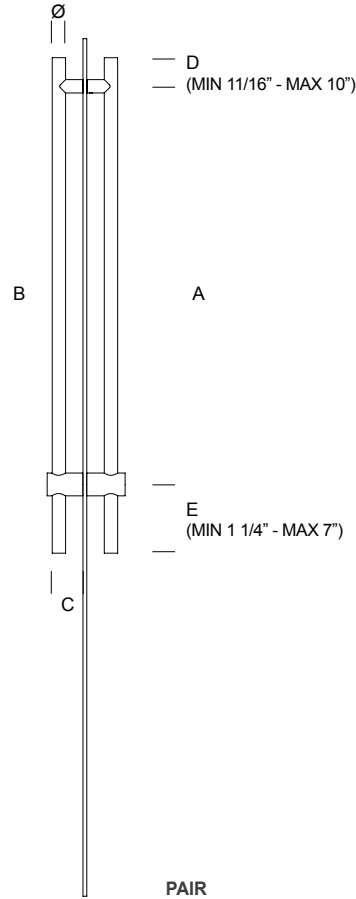
ALL DIMENSIONS IN THE CATALOG DRAWINGS ARE APPROXIMATIONS. REQUEST THE APPROPRIATE TECHNICAL DRAWING BEFORE DOOR PREPARATION AND INSTALLATION.



Declare

NON LOCKING TO MATCH PULL ON
page K-Lock_165

NON LOCKING
HALF SIZE

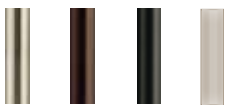


ADA
10"
clearance
layout

BACK TO BACK FIXING KIT
ALWAYS INCLUDED
SUITABLE FOR GLASS /
WOOD / METAL DOOR

PAIR	ITEM	A	B	C	D	E	Ø
	KLA.0G2.00RM. xx	1050 mm 41 11/32"	1300 mm 51 3/16"	85 mm 3 11/32"	75 mm 2 15/16"	175 mm 6 7/8"	37 mm 1 29/64"
	KLA.0G2.RM48. xx	custom	1219 mm 48"	85 mm 3 11/32"	custom	custom	37 mm 1 29/64"
	KLA.0G2.RM60. xx	custom	1524 mm 60"	85 mm 3 11/32"	custom	custom	37 mm 1 29/64"
	KLA.0G2.RM72. xx	custom	1828 mm 72"	85 mm 3 11/32"	custom	custom	37 mm 1 29/64"
	KLA.0G2.99RM. xx	custom	custom	85 mm 3 11/32"	custom	custom	37 mm 1 29/64"

Silver Bronze Black Champagne



.XX = FINISH CODE

- SATIN ANODIZED ALUMINUM
- .69 SILVER
 - .67 BRONZE
 - .68 BLACK
 - .66 CHAMPAGNE

CUSTOM ANODIZED POLISHED FINISH NOT AVAILABLE.
OTHER CUSTOM FINISH FEASIBILITY TO BE VALIDATED BEFORE ORDER

EDGE COMPONENT:
BLACK FOR DARK COLOR POWDER
GREY FOR LIGHT COLOR POWDER
AND STAINLESS STEEL

DOOR PREPARATION DP3
page K-Lock_236

SPACERS FOR DOUBLE GLAZED DOOR
KLA.KIT.9RM2
page K-Lock_231 - page K-Lock_232

DIFFERENCES IN THE FINISHING OF (DIFFERENT) COMPONENTS ARE DUE TO THE DIFFERENT PRODUCTION METHODS. THESE VARIATIONS ARE NOT CONSIDERED DEFECTS AND ARE A NATURAL RESULT OF THE FINISHING PROCESS.

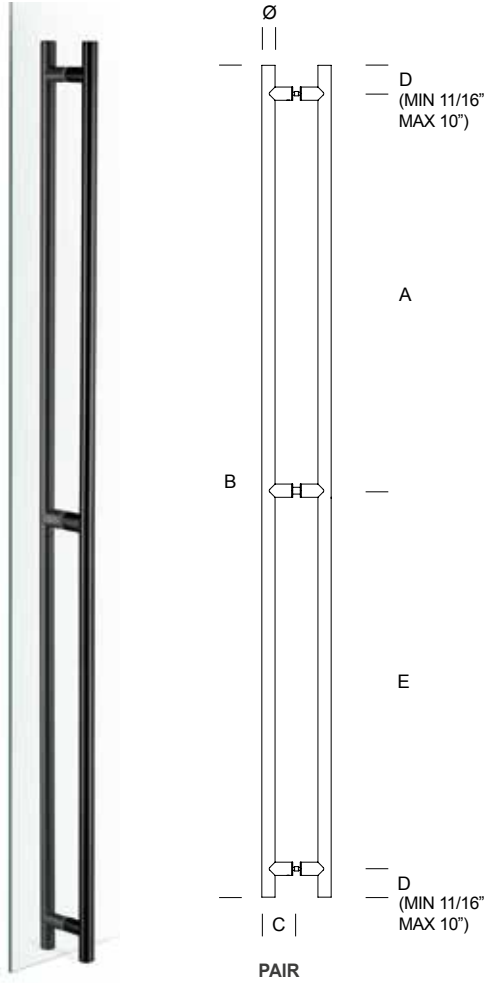
THESE PRODUCTS CONTRIBUTE TO LEED® CREDITS

ALL DIMENSIONS IN THE CATALOG DRAWINGS ARE APPROXIMATIONS. REQUEST THE APPROPRIATE TECHNICAL DRAWING BEFORE DOOR PREPARATION AND INSTALLATION.

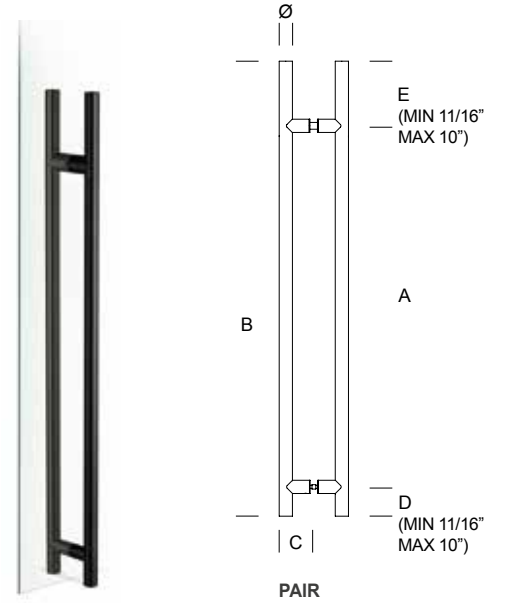


NON LOCKING TO MATCH PULL ON
page K-Lock_166

UNIVERSAL
NON LOCKING
FULL SIZE



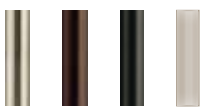
UNIVERSAL
NON LOCKING
HALF SIZE



ITEM	A	B	C	D	E	Ø
KLA.0G4.0000 .xx	1050 mm 41 11/32"	2200 mm 86 5/8"	85 mm 3 11/32"	75 mm 2 15/16"	1000 mm 39 3/8"	37 mm 1 29/64"
KLA.0G4.0072 .xx	custom	1828 mm 72"	85 mm 3 11/32"	custom	custom	37 mm 1 29/64"
KLA.0G4.0084 .xx	custom	2133 mm 84"	85 mm 3 11/32"	custom	custom	37 mm 1 29/64"
KLA.0G4.9999 .xx	custom	custom	85 mm 3 11/32"	custom	custom	37 mm 1 29/64"

ITEM	A	B	C	D	E	Ø
KLA.0G2.0000 .xx	1000 mm 39 3/8"	1250 mm 49 1/4"	85 mm 3 11/32"	75 mm 2 15/16"	175 mm 6 7/8"	37 mm 1 29/64"
KLA.0G2.0048 .xx	custom	1219 mm 48"	85 mm 3 11/32"	custom	custom	37 mm 1 29/64"
KLA.0G2.0060 .xx	custom	1524 mm 60"	85 mm 3 11/32"	custom	custom	37 mm 1 29/64"
KLA.0G2.9999 .xx	custom	custom	85 mm 3 11/32"	custom	custom	37 mm 1 29/64"

Silver Bronze Black Champagne .XX = FINISH CODE



SATIN ANODIZED ALUMINUM
.69 SILVER
.67 BRONZE
.68 BLACK
.66 CHAMPAGNE

CUSTOM ANODIZED POLISHED FINISH NOT AVAILABLE.
OTHER CUSTOM FINISH FEASIBILITY TO BE VALIDATED BEFORE ORDER

EDGE COMPONENT:
BLACK FOR DARK COLOR POWDER
GREY FOR LIGHT COLOR POWDER AND STAINLESS STEEL

DOOR PREPARATION:

DP4 (UNIVERSAL NO LOCKING FULL SIZE)
DP5 (UNIVERSAL NO LOCKING HALF SIZE)
page K-Lock_237 - page K-Lock_238

SPACERS FOR DOUBLE GLAZED DOOR

ZAT.KIT.9910 (UNIVERSAL NO LOCKING FULL SIZE)
ZAT.KIT.9909 (UNIVERSAL NO LOCKING HALF SIZE)
page K-Lock_231 - page K-Lock_232

BACK TO BACK FIXING KIT ALWAYS INCLUDED SUITABLE FOR GLASS / WOOD / METAL DOOR

DIFFERENCES IN THE FINISHING OF (DIFFERENT) COMPONENTS ARE DUE TO THE DIFFERENT PRODUCTION METHODS. THESE VARIATIONS ARE NOT CONSIDERED DEFECTS AND ARE A NATURAL RESULT OF THE FINISHING PROCESS.

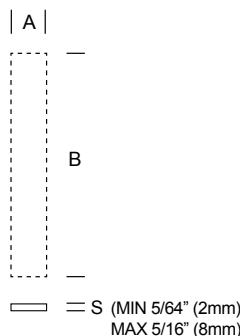
ALL DIMENSIONS IN THE CATALOG DRAWINGS ARE APPROXIMATIONS. REQUEST THE APPROPRIATE TECHNICAL DRAWING BEFORE DOOR PREPARATION AND INSTALLATION.

THESE PRODUCTS CONTRIBUTE TO LEED® CREDITS



STAINLESS STEEL PLATE / PLAQUE ON REQUEST - PLACCA / PIASTRA A MISURA IN ACCIAIO INOX

ITEM	A	B	S
2MM.PLA.9999 .xx	custom	custom	custom



AVAILABLE WITH HOLES FOR FIXING WITH SCREWS OR WITHOUT HOLES FOR GLUING.
FIXINGS NOT INCLUDED

DISPONIBILE CON FORI PER FISSAGGIO CON VITI O SENZA FORI PER INCOLLAGGIO.
FISSAGGI NON INCLUSI.

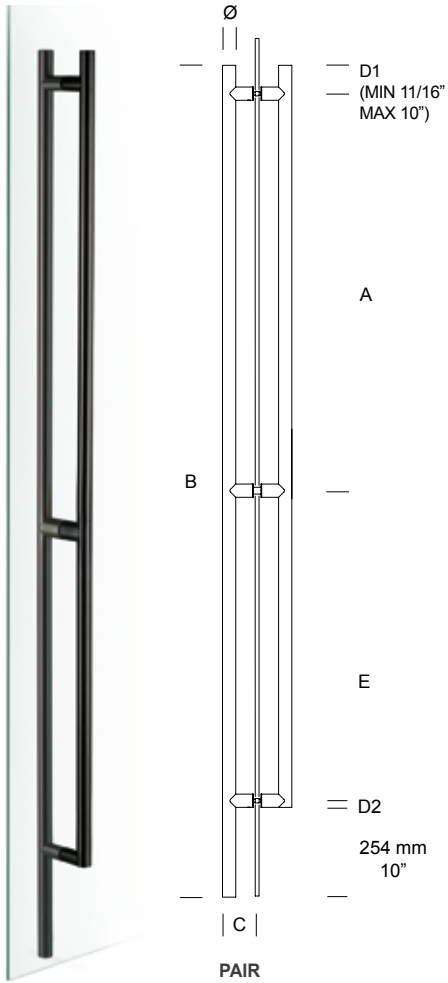
.XX = FINISH CODE

STAINLESS STEEL
.43 BRIGHT STAINLESS STEEL (ANSI/BHMA 629 - USD32)
.44 SATIN STAINLESS STEEL (ANSI/BHMA 630 - USD32D)

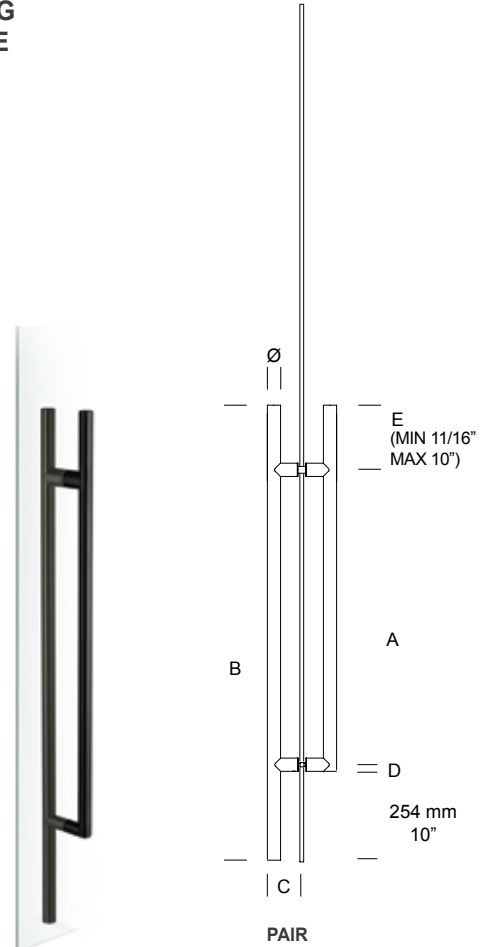
STAINLESS STEEL POWDER-COATED ON REQUEST
.40 BLACK RAL 9005 MAT - TO MATCH WITH PBA BLACK ALUMINUM
.26 BLACK RAL 9005 GLOSSY
.31 WHITE RAL 9010
.32 GREY
.38 CHAMPAGNE
.39 BRONZE - TO MATCH WITH PBA BRONZE ALUMINUM
.36 ARCHITECTURAL BRONZE
.56 MEDIUM BRONZE
.41 SILVER
.55 GOLD

.99 COLOURS ON REQUEST TO MATCH ANY RAL # (screws, grub screws and plastic parts non powdercoated) available on request depending on quantities

UNIVERSAL
NON LOCKING
FULL SIZE



UNIVERSAL
NON LOCKING
HALF SIZE



ITEM	A	B	C	D1-D2	E	Ø
KLA.0G4.999T.xx PAIR	custom	custom	85 mm 3 11/32"	custom	custom	37 mm 1 29/64

ITEM	A	B	C	D	E	Ø
KLA.0G2.999T PAIR	custom	custom	85 mm 3 11/32"	17,5 mm 11/16"	custom	37 mm 1 29/64

Silver Bronze Black Champagne



.XX = FINISH CODE

SATIN ANODIZED ALUMINUM
.69 SILVER
.67 BRONZE
.68 BLACK
.66 CHAMPAGNE

CUSTOM ANODIZED POLISHED FINISH NOT AVAILABLE.
OTHER CUSTOM FINISH FEASIBILITY TO BE VALIDATED BEFORE ORDER

EDGE COMPONENT:
BLACK FOR DARK COLOR POWDER
GREY FOR LIGHT COLOR POWDER
AND STAINLESS STEEL

DOOR PREPARATION:
DP4 (UNIVERSAL NO LOCKING FULL SIZE)
DP5 (UNIVERSAL NO LOCKING HALF SIZE)
page K-Lock_237 - page K-Lock_238

SPACERS FOR DOUBLE GLAZED DOOR
2AT.KIT.9910 (UNIVERSAL NO LOCKING FULL SIZE)
2AT.KIT.9909 (UNIVERSAL NO LOCKING HALF SIZE)
page K-Lock_231 - page K-Lock_232

BACK TO BACK FIXING KIT ALWAYS INCLUDED
SUITABLE FOR GLASS / WOOD / METAL DOOR

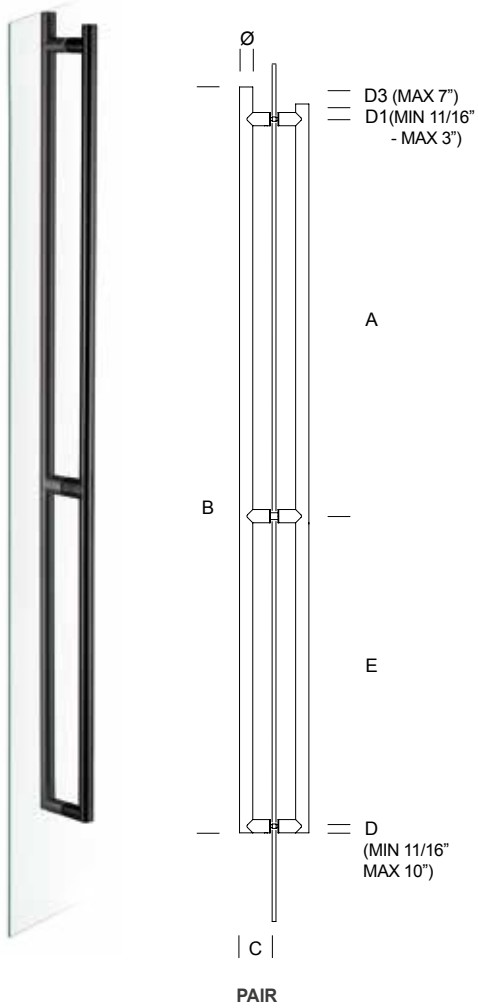


ALL DIMENSIONS IN THE CATALOG DRAWINGS ARE APPROXIMATIONS.
REQUEST THE APPROPRIATE TECHNICAL DRAWING BEFORE DOOR
PREPARATION AND INSTALLATION.

THESE PRODUCTS CONTRIBUTE TO LEED® CREDITS

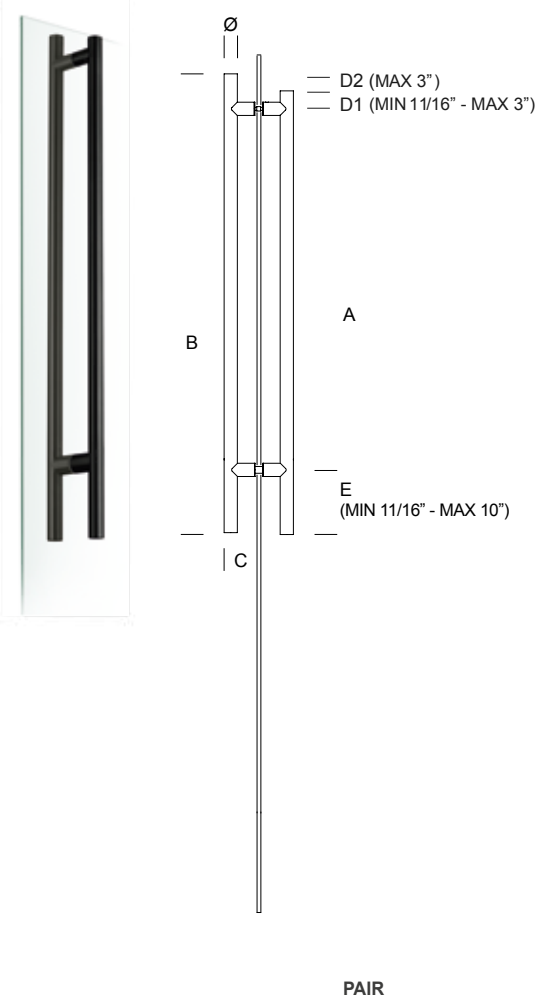
DIFFERENCES IN THE FINISHING OF (DIFFERENT) COMPONENTS ARE
DUE TO THE DIFFERENT PRODUCTION METHODS. THESE VARIATIONS
ARE NOT CONSIDERED DEFECTS AND ARE A NATURAL RESULT OF THE
FINISHING PROCESS.

UNIVERSAL
NON LOCKING
FULL SIZE



ITEM	A	B	C	D-D2-D3	E	Ø
KLA.0G4.999Z. xx	custom	custom	85 mm 3 11/32"	custom	custom	37 mm 1 29/64
PAIR						

UNIVERSAL
NON LOCKING
HALF SIZE



ITEM	A	B	C	D	E	Ø
KLA.0G2.999Z. xx	custom	custom	85 mm 3 11/32"	custom	custom	37 mm 1 29/64
PAIR						

Silver Bronze Black Champagne



.XX = FINISH CODE

- SATIN ANODIZED ALUMINUM**
- .69 SILVER
 - .67 BRONZE
 - .68 BLACK
 - .66 CHAMPAGNE

CUSTOM ANODIZED POLISHED FINISH NOT AVAILABLE.
OTHER CUSTOM FINISH FEASIBILITY TO BE VALIDATED BEFORE ORDER

EDGE COMPONENT:
BLACK FOR DARK COLOR POWDER
GREY FOR LIGHT COLOR POWDER
AND STAINLESS STEEL

DOOR PREPARATION:
DP4 (UNIVERSAL NO LOCKING FULL SIZE)
DP5 (UNIVERSAL NO LOCKING HALF SIZE)
page K-Lock_237 - page K-Lock_238

SPACERS FOR DOUBLE GLAZED DOOR
2AT.KIT.9910 (UNIVERSAL NO LOCKING FULL SIZE)
2AT.KIT.9909 (UNIVERSAL NO LOCKING HALF SIZE)
page K-Lock_231 - page K-Lock_232

**BACK TO BACK FIXING KIT ALWAYS INCLUDED
SUITABLE FOR GLASS / WOOD / METAL DOOR**



ALL DIMENSIONS IN THE CATALOG DRAWINGS ARE APPROXIMATIONS.
REQUEST THE APPROPRIATE TECHNICAL DRAWING BEFORE DOOR
PREPARATION AND INSTALLATION.

THESE PRODUCTS CONTRIBUTE TO LEED® CREDITS

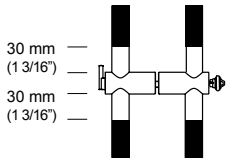
DIFFERENCES IN THE FINISHING OF (DIFFERENT) COMPONENTS ARE
DUE TO THE DIFFERENT PRODUCTION METHODS. THESE VARIATIONS
ARE NOT CONSIDERED DEFECTS AND ARE A NATURAL RESULT OF THE
FINISHING PROCESS.

PROGRAMMA K-LOCK
SPECIALS



CILINDRO PROFILO AMERICANO RIM
AMERICAN RIM CYLINDER

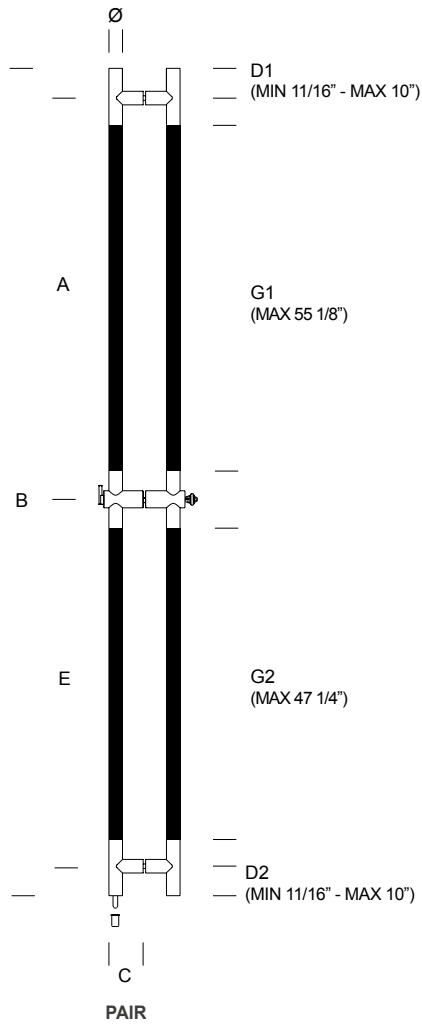
LOCKING FULL SIZE



LA DISTANZA TRA INSERTO IN PELLE E DISTANZIARE DEVE ESSERE 30 mm (1 3/16")
 GAP BETWEEN LEATHER WRAP AND POST MUST BE 30 mm (1 3/16")



INDICATIVE PICTURE



PBA PATENTED SYSTEM

PATENT 102019000012465



OVERLAPPED LEATHER

CYLINDER NOT INCLUDED



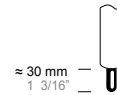
RIM CYLINDER WITH IC



RIM CYLINDER



ADA COMPLIANT THUMBTURN



ADJUSTABLE STEEL DEAD BOLT



DUST-FREE FLOOR SOCKET

BRAND OF COMPATIBLE RIM CYLINDER:

- ARROW	- BEST
- CORBIN RUSSWIN	- KABAILCO
- MEDECO	- SARGENT
- SCHLAGE	- YALE

PAIR	ITEM	A	B	C	D1/D2	E	G1	G2	Ø
BOTTOM LOCKING	KLA.AL4.999U. xx	custom	custom	85 mm 3 11/32"	custom	custom	custom	custom	37 mm 1 29/64"
TOP/BOTTOM LOCKING	KLA.AL6.999U. xx	custom	custom	85 mm 3 11/32"	custom	custom	custom	custom	37 mm 1 29/64"

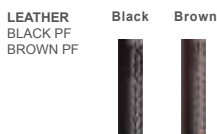


.XX = FINISH CODE

- SATIN ANODIZED ALUMINUM**
- .69 SILVER
 - .67 BRONZE
 - .68 BLACK
 - .66 CHAMPAGNE

CUSTOM ANODIZED POLISHED FINISH NOT AVAILABLE. OTHER CUSTOM FINISH FEASIBILITY TO BE VALIDATED BEFORE ORDER

EDGE COMPONENT:
 BLACK FOR DARK COLOR POWDER
 GREY FOR LIGHT COLOR POWDER
 AND STAINLESS STEEL



LEATHER
 BLACK PF
 BROWN PF

DOOR PREPARATION DP1
 page K-Lock_234

SPACERS FOR DOUBLE GLAZED DOOR
 page K-Lock_231 - page K-Lock_232

STRIKE DETAILS
 page K-Lock_228

DIFFERENCES IN THE FINISHING OF (DIFFERENT) COMPONENTS ARE DUE TO THE DIFFERENT PRODUCTION METHODS. THESE VARIATIONS ARE NOT CONSIDERED DEFECTS AND ARE A NATURAL RESULT OF THE FINISHING PROCESS.



CERTIFICATION LEATHER PF:

THESE PRODUCTS CONTRIBUTE TO LEED® CREDITS

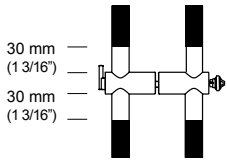
ALL DIMENSIONS IN THE CATALOG DRAWINGS ARE APPROXIMATIONS. REQUEST THE APPROPRIATE TECHNICAL DRAWING BEFORE DOOR PREPARATION AND INSTALLATION.

COMBINED NON LOCKING
 page K-Lock_181

ITEM
 KLA.GL4.999U



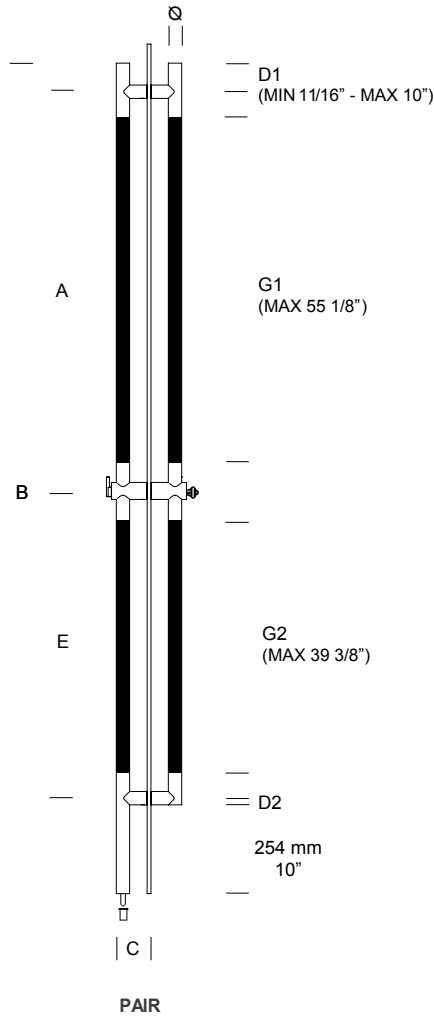
LOCKING
FULL SIZE



LA DISTANZA TRA INSERTO IN PELLE E DISTANZIERE DEVE ESSERE 30 mm (1 3/16")
GAP BETWEEN LEATHER WRAP AND POST MUST BE 30 mm (1 3/16")



INDICATIVE PICTURE



ADA
10"
clearance
Layout

PBA PATENTED SYSTEM PATENT 102019000012465



OVERLAPPED LEATHER

CYLINDER NOT INCLUDED



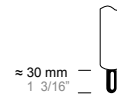
RIM CYLINDER WITH IC



RIM CYLINDER



ADA COMPLIANT THUMBTURN



ADJUSTABLE STEEL DEAD BOLT

≈ 30 mm
1 3/16"



DUST-FREE FLOOR SOCKET

BRAND OF COMPATIBLE RIM CYLINDER:
- ARROW - BEST
- CORBIN RUSSWIN - KABAILCO
- MEDECO - SARGENT
- SCHLAGE - YALE

PAIR	ITEM	A	B	C	D1/D2	E	G1	G2	Ø
BOTTOM LOCKING	KLA.AL4.99TU. xx	custom	custom	85 mm 3 11/32"	custom	custom	custom	custom	37 mm 1 29/64"



.XX = FINISH CODE

- SATIN ANODIZED ALUMINUM**
.69 SILVER
.67 BRONZE
.68 BLACK
.66 CHAMPAGNE

CUSTOM ANODIZED POLISHED FINISH NOT AVAILABLE.
OTHER CUSTOM FINISH FEASIBILITY TO BE VALIDATED BEFORE ORDER

EDGE COMPONENT:
BLACK FOR DARK COLOR POWDER
GREY FOR LIGHT COLOR POWDER
AND STAINLESS STEEL

DOOR PREPARATION DP1
page K-Lock_234

SPACERS FOR DOUBLE GLAZED DOOR
page K-Lock_231 - page K-Lock_232

COMBINED NON LOCKING
page K-Lock_182

ITEM
KLA.GL4.99TU

DIFFERENCES IN THE FINISHING OF (DIFFERENT) COMPONENTS ARE DUE TO THE DIFFERENT PRODUCTION METHODS. THESE VARIATIONS ARE NOT CONSIDERED DEFECTS AND ARE A NATURAL RESULT OF THE FINISHING PROCESS.



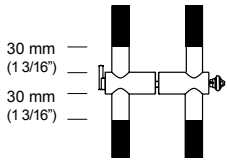
CERTIFICATION LEATHER PF:

THESE PRODUCTS CONTRIBUTE TO LEED® CREDITS

ALL DIMENSIONS IN THE CATALOG DRAWINGS ARE APPROXIMATIONS.
REQUEST THE APPROPRIATE TECHNICAL DRAWING BEFORE DOOR PREPARATION AND INSTALLATION.



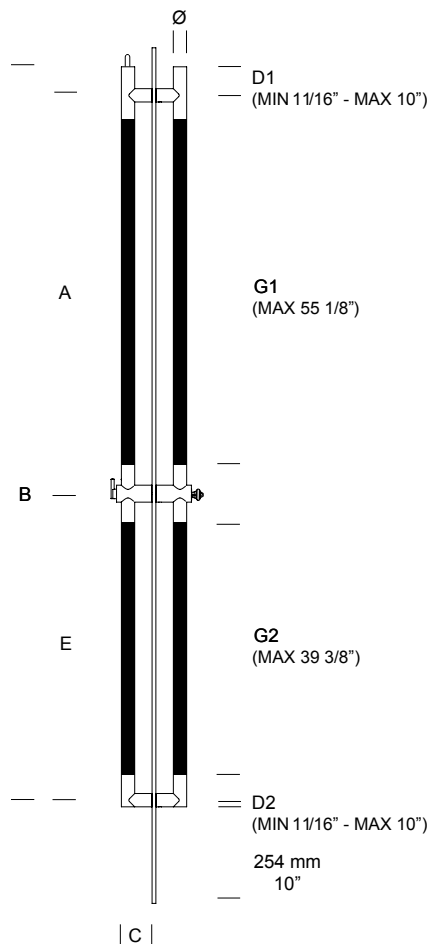
LOCKING FULL SIZE



LA DISTANZA TRA INSERTO IN PELLE E DISTANZIERE DEVE ESSERE 30 mm (1 3/16")
 GAP BETWEEN LEATHER WRAP AND POST MUST BE 30 mm (1 3/16")



INDICATIVE PICTURE



PAIR

ADA 10" clearance layout

PBA PATENTED SYSTEM PATENT 102019000012465

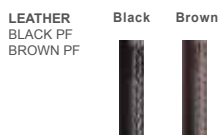


CYLINDER NOT INCLUDED



- BRAND OF COMPATIBLE RIM CYLINDER:**
- ARROW
 - CORBIN RUSSWIN
 - MEDECO
 - SCHLAGE
 - BEST
 - KABAILCO
 - SARGENT
 - YALE

PAIR TOP LOCKING	ITEM	A	B	C	D1/D2	E	G1	G2	Ø
	KLA.AL4.99RU. xx	custom	custom	85 mm 3 11/32"	custom	custom	custom	custom	37 mm 1 29/64"



.XX = FINISH CODE

- SATIN ANODIZED ALUMINUM**
- .69 SILVER
 - .67 BRONZE
 - .68 BLACK
 - .66 CHAMPAGNE

CUSTOM ANODIZED POLISHED FINISH NOT AVAILABLE. OTHER CUSTOM FINISH FEASIBILITY TO BE VALIDATED BEFORE ORDER

EDGE COMPONENT:
 BLACK FOR DARK COLOR POWDER
 GREY FOR LIGHT COLOR POWDER
 AND STAINLESS STEEL

DOOR PREPARATION DP1
 page K-Lock_234

SPACERS FOR DOUBLE GLAZED DOOR
 page K-Lock_231 - page K-Lock_232

STRIKE DETAILS
 page K-Lock_228

DIFFERENCES IN THE FINISHING OF (DIFFERENT) COMPONENTS ARE DUE TO THE DIFFERENT PRODUCTION METHODS. THESE VARIATIONS ARE NOT CONSIDERED DEFECTS AND ARE A NATURAL RESULT OF THE FINISHING PROCESS.



CERTIFICATION LEATHER PF:

THESE PRODUCTS CONTRIBUTE TO LEED® CREDITS

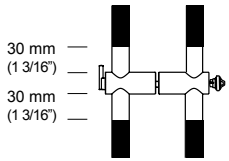
ALL DIMENSIONS IN THE CATALOG DRAWINGS ARE APPROXIMATIONS. REQUEST THE APPROPRIATE TECHNICAL DRAWING BEFORE DOOR PREPARATION AND INSTALLATION.

COMBINED NON LOCKING
 page K-Lock_183

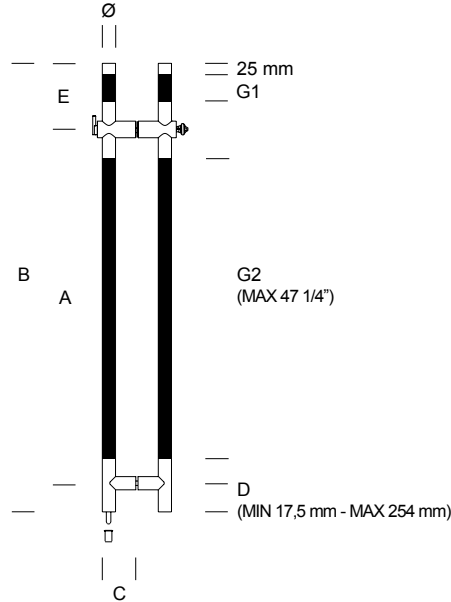
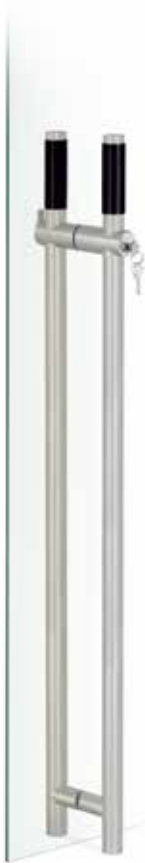
ITEM
 KLA.GL4.99RU



LOCKING
HALF SIZE



LA DISTANZA TRA INSERTO IN PELLE
E DISTANZIARE DEVE ESSERE
30 mm (1 3/16")
GAP BETWEEN LEATHER WRAP AND
POST MUST BE
30 mm (1 3/16")



P B A
PATENTED
SYSTEM

PATENT
102019000012465



OVERLAPPED LEATHER

CYLINDER NOT INCLUDED



RIM CYLINDER
WITH IC



RIM CYLINDER



ADA COMPLIANT
THUMBTURN



ADJUSTABLE STEEL
DEAD BOLT



DUST-FREE
FLOOR SOCKET

INDICATIVE PICTURE

PAIR

BRAND OF COMPATIBLE RIM CYLINDER:	
- ARROW	- BEST
- CORBIN RUSSWIN	- KABAILCO
- MEDECO	- SARGENT
- SCHLAGE	- YALE

PAIR	ITEM	A	B	C	D	E	G1	G2	Ø
BOTTOM LOCKING	KLA.AL2.999U. xx	custom	custom	85 mm 3 11/32"	custom	custom	custom	custom	37 mm 1 29/64"



.XX = FINISH CODE

- SATIN ANODIZED ALUMINUM
- .69 SILVER
 - .67 BRONZE
 - .68 BLACK
 - .66 CHAMPAGNE

CUSTOM ANODIZED POLISHED FINISH NOT AVAILABLE.
OTHER CUSTOM FINISH FEASIBILITY TO BE VALIDATED BEFORE ORDER

EDGE COMPONENT:
BLACK FOR DARK COLOR POWDER
GREY FOR LIGHT COLOR POWDER
AND STAINLESS STEEL

DOOR PREPARATION DP2
page K-Lock_235

SPACERS FOR DOUBLE GLAZED DOOR
page K-Lock_231 - page K-Lock_232

COMBINED NON LOCKING
page K-Lock_184

ITEM
KLA.GL2.999U

DIFFERENCES IN THE FINISHING OF (DIFFERENT) COMPONENTS ARE
DUE TO THE DIFFERENT PRODUCTION METHODS. THESE VARIATIONS
ARE NOT CONSIDERED DEFECTS AND ARE A NATURAL RESULT OF THE
FINISHING PROCESS.



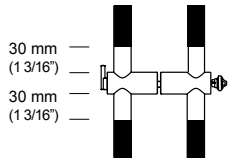
CERTIFICATION LEATHER PF:

THESE PRODUCTS CONTRIBUTE TO LEED® CREDITS

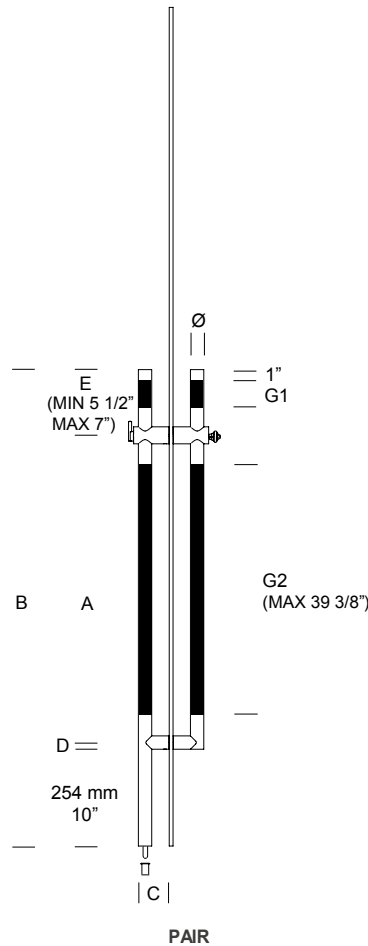
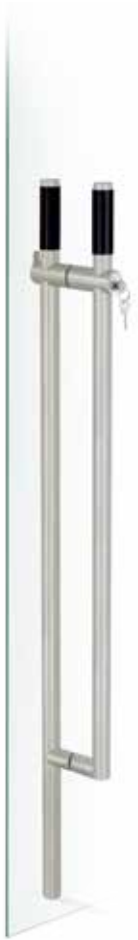
ALL DIMENSIONS IN THE CATALOG DRAWINGS ARE APPROXIMATIONS.
REQUEST THE APPROPRIATE TECHNICAL DRAWING BEFORE DOOR
PREPARATION AND INSTALLATION.



LOCKING
HALF SIZE



LA DISTANZA TRA INSERTO IN PELLE
E DISTANZIARE DEVE ESSERE
30 mm (1 3/16")
GAP BETWEEN LEATHER WRAP AND
POST MUST BE
30 mm (1 3/16")



ADA
10"
clearance
layout

PBA
PATENTED
SYSTEM PATENT
102019000012465



OVERLAPPED LEATHER

CYLINDER NOT INCLUDED



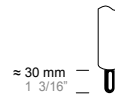
RIM CYLINDER
WITH IC



RIM CYLINDER



ADA COMPLIANT
THUMBTURN



ADJUSTABLE STEEL
DEAD BOLT

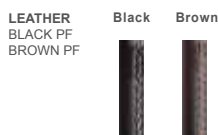


DUST-FREE
FLOOR SOCKET

BRAND OF COMPATIBLE RIM CYLINDER:
- ARROW - BEST
- CORBIN RUSSWIN - KABAILCO
- MEDECO - SARGENT
- SCHLAGE - YALE

INDICATIVE PICTURE

PAIR	ITEM	A	B	C	D	E	G1	G2	Ø
BOTTOM LOCKING	KLA.AL2.99TU. xx	custom	custom	85 mm 3 11/32"	custom	custom	custom	custom	37 mm 1 29/64"



.XX = FINISH CODE

SATIN ANODIZED ALUMINUM
.69 SILVER
.67 BRONZE
.68 BLACK
.66 CHAMPAGNE

CUSTOM ANODIZED POLISHED FINISH NOT AVAILABLE.
OTHER CUSTOM FINISH FEASIBILITY TO BE VALIDATED BEFORE ORDER

EDGE COMPONENT:
BLACK FOR DARK COLOR POWDER
GREY FOR LIGHT COLOR POWDER
AND STAINLESS STEEL

DOOR PREPARATION DP2
page K-Lock_235

SPACERS FOR DOUBLE GLAZED DOOR
page K-Lock_231 - page K-Lock_232

COMBINED NON LOCKING
page K-Lock_185

ITEM
KLA.GL2.99TU

DIFFERENCES IN THE FINISHING OF (DIFFERENT) COMPONENTS ARE
DUE TO THE DIFFERENT PRODUCTION METHODS. THESE VARIATIONS
ARE NOT CONSIDERED DEFECTS AND ARE A NATURAL RESULT OF THE
FINISHING PROCESS.



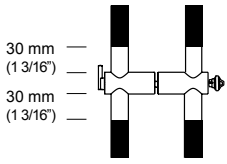
CERTIFICATION LEATHER PF:

THESE PRODUCTS CONTRIBUTE TO LEED® CREDITS

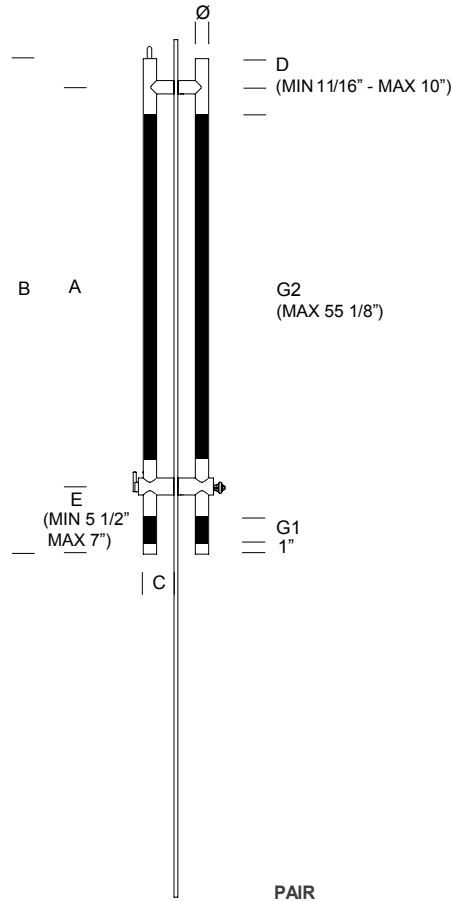
ALL DIMENSIONS IN THE CATALOG DRAWINGS ARE APPROXIMATIONS.
REQUEST THE APPROPRIATE TECHNICAL DRAWING BEFORE DOOR
PREPARATION AND INSTALLATION.



LOCKING
HALF SIZE



LA DISTANZA TRA INSERTO IN PELLE
E DISTANZIERE DEVE ESSERE
30 mm (1 3/16")
GAP BETWEEN LEATHER WRAP AND
POST MUST BE
30 mm (1 3/16")



ADA
10"
clearance
Layout

PBA
PATENTED
SYSTEM PATENT
102019000012465



OVERLAPPED LEATHER

CYLINDER NOT INCLUDED



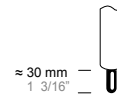
RIM CYLINDER
WITH IC



RIM CYLINDER



ADA COMPLIANT
THUMBTURN



ADJUSTABLE STEEL
DEAD BOLT

≈ 30 mm
1 3/16"



DUST-FREE
FLOOR SOCKET

- BRAND OF COMPATIBLE RIM CYLINDER:
- ARROW
 - CORBIN RUSSWIN
 - MEDECO
 - SCHLAGE
 - BEST
 - KABAILCO
 - SARGENT
 - YALE

INDICATIVE PICTURE

PAIR TOP LOCKING	ITEM	A	B	C	D	E	G1	G2	Ø
	KLA.AL2.99RU. xx	custom	custom	85 mm 3 11/32"	custom	custom	custom	custom	37 mm 1 29/64"

Silver Bronze Black Champagne



.XX = FINISH CODE

SATIN ANODIZED ALUMINUM

- .69 SILVER
- .67 BRONZE
- .68 BLACK
- .66 CHAMPAGNE

CUSTOM ANODIZED POLISHED FINISH NOT AVAILABLE.
OTHER CUSTOM FINISH FEASIBILITY TO BE VALIDATED BEFORE ORDER

EDGE COMPONENT:

BLACK FOR DARK COLOR POWDER
GREY FOR LIGHT COLOR POWDER
AND STAINLESS STEEL

LEATHER
BLACK PF
BROWN PF



DOOR PREPARATION DP2
page K-Lock_235

SPACERS FOR DOUBLE GLAZED DOOR
page K-Lock_231 - page K-Lock_232

STRIKE DETAILS
page K-Lock_228

DIFFERENCES IN THE FINISHING OF (DIFFERENT) COMPONENTS ARE
DUE TO THE DIFFERENT PRODUCTION METHODS. THESE VARIATIONS
ARE NOT CONSIDERED DEFECTS AND ARE A NATURAL RESULT OF THE
FINISHING PROCESS.



CERTIFICATION LEATHER PF:

THESE PRODUCTS CONTRIBUTE TO LEED® CREDITS

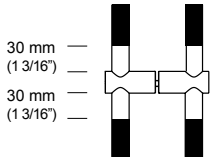
ALL DIMENSIONS IN THE CATALOG DRAWINGS ARE APPROXIMATIONS.
REQUEST THE APPROPRIATE TECHNICAL DRAWING BEFORE DOOR
PREPARATION AND INSTALLATION.

COMBINED NON LOCKING
page K-Lock_186

ITEM
KLA.GL2.99RU



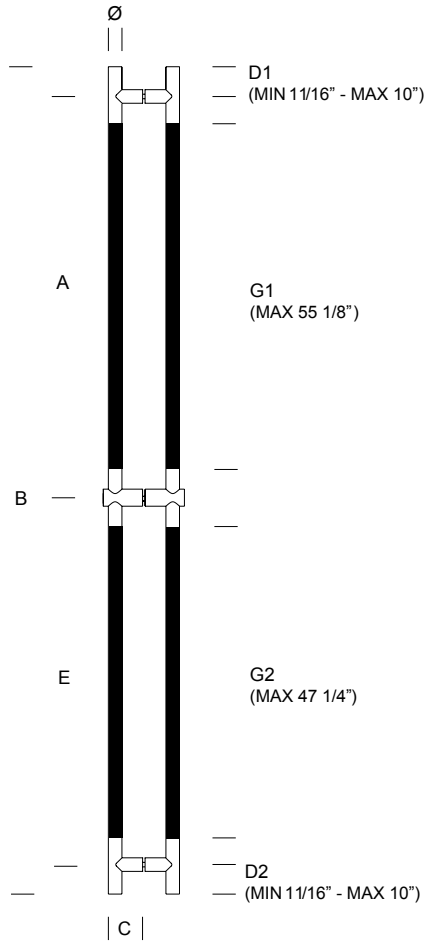
NON LOCKING
FULL SIZE



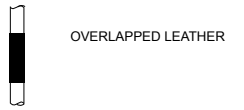
LA DISTANZA TRA INSERTO IN PELLE E DISTANZIARE DEVE ESSERE 30 mm (1 3/16")
GAP BETWEEN LEATHER WRAP AND POST MUST BE 30 mm (1 3/16")



INDICATIVE PICTURE



BACK TO BACK FIXING KIT
ALWAYS INCLUDED
SUITABLE FOR GLASS /
WOOD / METAL DOOR



OVERLAPPED LEATHER

PAIR

PAIR	ITEM	A	B	C	D1/D2	E	G1	G2	Ø
	KLA.GL4.999U. xx	custom	custom	85 mm 3 11/32"	custom	custom	custom	custom	37 mm 1 29/64"

Silver Bronze Black Champagne



LEATHER
BLACK PF
BROWN PF

Black Brown



.XX = FINISH CODE

SATIN ANODIZED ALUMINUM
.69 SILVER
.67 BRONZE
.68 BLACK
.66 CHAMPAGNE

CUSTOM ANODIZED POLISHED FINISH NOT AVAILABLE.
OTHER CUSTOM FINISH FEASIBILITY TO BE VALIDATED BEFORE ORDER

EDGE COMPONENT:
BLACK FOR DARK COLOR POWDER
GREY FOR LIGHT COLOR POWDER
AND STAINLESS STEEL

DOOR PREPARATION DP1
page K-Lock_234

SPACERS FOR DOUBLE GLAZED DOOR
page K-Lock_231 - page K-Lock_232

NON LOCKING TO MATCH PULL ON
page K-Lock_175

DIFFERENCES IN THE FINISHING OF (DIFFERENT) COMPONENTS ARE DUE TO THE DIFFERENT PRODUCTION METHODS. THESE VARIATIONS ARE NOT CONSIDERED DEFECTS AND ARE A NATURAL RESULT OF THE FINISHING PROCESS.

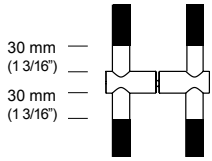


CERTIFICATION LEATHER PF:

THESE PRODUCTS CONTRIBUTE TO LEED® CREDITS

ALL DIMENSIONS IN THE CATALOG DRAWINGS ARE APPROXIMATIONS.
REQUEST THE APPROPRIATE TECHNICAL DRAWING BEFORE DOOR PREPARATION AND INSTALLATION.

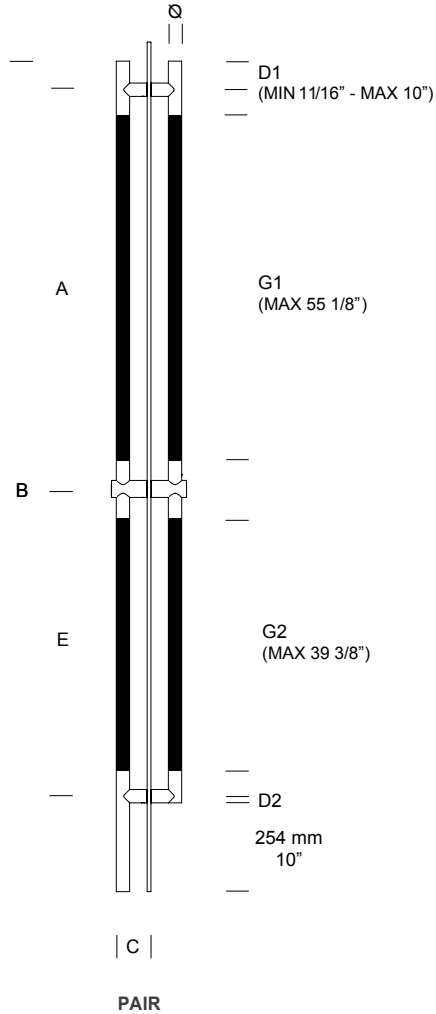
NON LOCKING
FULL SIZE



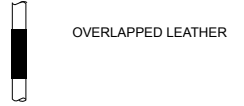
LA DISTANZA TRA INSERTO IN PELLE E DISTANZIERE DEVE ESSERE 30 mm (1 3/16")
GAP BETWEEN LEATHER WRAP AND POST MUST BE 30 mm (1 3/16")



INDICATIVE PICTURE



BACK TO BACK FIXING KIT ALWAYS INCLUDED SUITABLE FOR GLASS / WOOD / METAL DOOR



OVERLAPPED LEATHER

PAIR	ITEM	A	B	C	D1/D2	E	G1	G2	Ø
	KLA.GL4.99TU. xx	custom	custom	85 mm 3 11/32"	custom	custom	custom	custom	37 mm 1 29/64"

Silver Bronze Black Champagne



LEATHER
BLACK PF
BROWN PF

Black Brown



.XX = FINISH CODE

SATIN ANODIZED ALUMINUM

- .69 SILVER
- .67 BRONZE
- .68 BLACK
- .66 CHAMPAGNE

CUSTOM ANODIZED POLISHED FINISH NOT AVAILABLE.
OTHER CUSTOM FINISH FEASIBILITY TO BE VALIDATED BEFORE ORDER

EDGE COMPONENT:

BLACK FOR DARK COLOR POWDER
GREY FOR LIGHT COLOR POWDER
AND STAINLESS STEEL

DOOR PREPARATION DP1
page K-Lock_234

SPACERS FOR DOUBLE GLAZED DOOR
page K-Lock_231 - page K-Lock_232

NON LOCKING TO MATCH PULL ON
page K-Lock_176

DIFFERENCES IN THE FINISHING OF (DIFFERENT) COMPONENTS ARE DUE TO THE DIFFERENT PRODUCTION METHODS. THESE VARIATIONS ARE NOT CONSIDERED DEFECTS AND ARE A NATURAL RESULT OF THE FINISHING PROCESS.

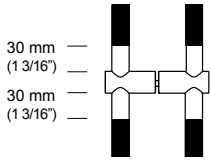


CERTIFICATION LEATHER PF:

THESE PRODUCTS CONTRIBUTE TO LEED® CREDITS

ALL DIMENSIONS IN THE CATALOG DRAWINGS ARE APPROXIMATIONS.
REQUEST THE APPROPRIATE TECHNICAL DRAWING BEFORE DOOR PREPARATION AND INSTALLATION.

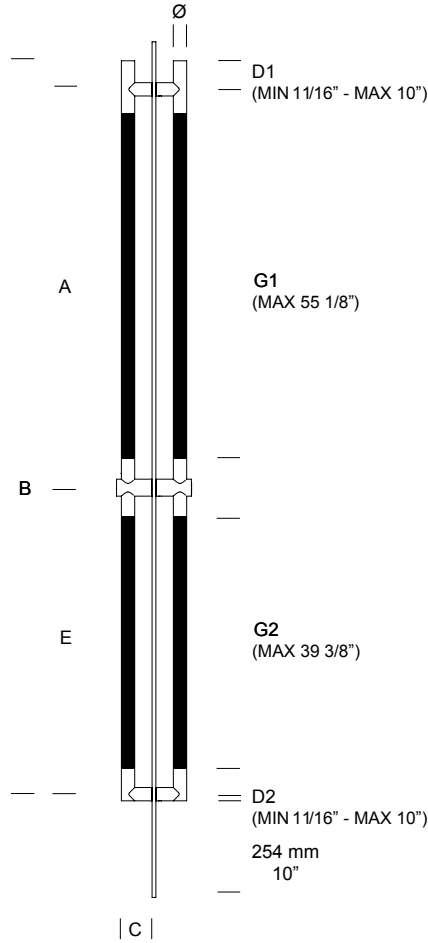
NON LOCKING
FULL SIZE



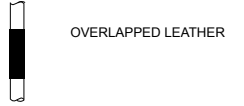
LA DISTANZA TRA INSERTO IN PELLE E DISTANZIARE DEVE ESSERE 30 mm (1 3/16")
GAP BETWEEN LEATHER WRAP AND POST MUST BE 30 mm (1 3/16")



INDICATIVE PICTURE



BACK TO BACK FIXING KIT
ALWAYS INCLUDED
SUITABLE FOR GLASS /
WOOD / METAL DOOR



OVERLAPPED LEATHER

PAIR

PAIR	ITEM	A	B	C	D1/D2	E	G1	G2	Ø
	KLA.GL4.99RU. xx	custom	custom	85 mm 3 11/32"	custom	custom	custom	custom	37 mm 1 29/64"

Silver Bronze Black Champagne



LEATHER Black Brown



.XX = FINISH CODE

SATIN ANODIZED ALUMINUM
.69 SILVER
.67 BRONZE
.68 BLACK
.66 CHAMPAGNE

CUSTOM ANODIZED POLISHED FINISH NOT AVAILABLE.
OTHER CUSTOM FINISH FEASIBILITY TO BE VALIDATED BEFORE ORDER

EDGE COMPONENT:
BLACK FOR DARK COLOR POWDER
GREY FOR LIGHT COLOR POWDER
AND STAINLESS STEEL

DOOR PREPARATION DP1
page K-Lock_234

SPACERS FOR DOUBLE GLAZED DOOR
page K-Lock_231 - page K-Lock_232

NON LOCKING TO MATCH PULL ON
page K-Lock_177

DIFFERENCES IN THE FINISHING OF (DIFFERENT) COMPONENTS ARE DUE TO THE DIFFERENT PRODUCTION METHODS. THESE VARIATIONS ARE NOT CONSIDERED DEFECTS AND ARE A NATURAL RESULT OF THE FINISHING PROCESS.

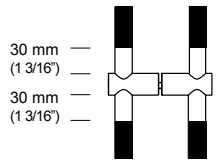


CERTIFICATION LEATHER PF:

THESE PRODUCTS CONTRIBUTE TO LEED® CREDITS

ALL DIMENSIONS IN THE CATALOG DRAWINGS ARE APPROXIMATIONS.
REQUEST THE APPROPRIATE TECHNICAL DRAWING BEFORE DOOR PREPARATION AND INSTALLATION.

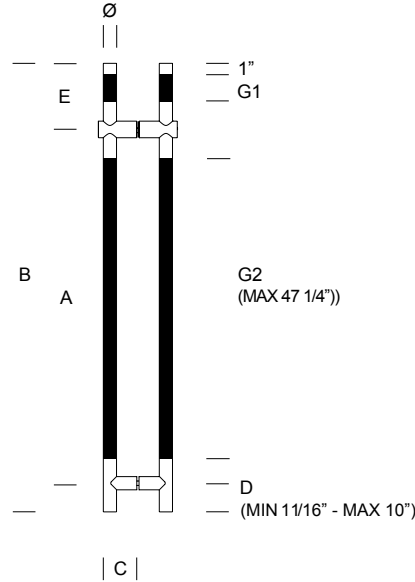
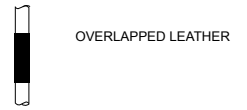
NON LOCKING
HALF SIZE



LA DISTANZA TRA INSERTO IN PELLE
E DISTANZIARE DEVE ESSERE
30 mm (1 3/16")
GAP BETWEEN LEATHER WRAP AND
POST MUST BE
30 mm (1 3/16")



BACK TO BACK FIXING KIT
ALWAYS INCLUDED
SUITABLE FOR GLASS /
WOOD / METAL DOOR



INDICATIVE PICTURE

PAIR

PAIR	ITEM	A	B	C	D	E	G1	G2	Ø
	KLA.GL2.999U. xx	custom	custom	85 mm 3 11/32"	custom	custom	custom	custom	37 mm 1 29/64"

Silver Bronze Black Champagne



LEATHER
BLACK PF
BROWN PF

Black Brown



.XX = FINISH CODE

SATIN ANODIZED ALUMINUM

- .69 SILVER
- .67 BRONZE
- .68 BLACK
- .66 CHAMPAGNE

CUSTOM ANODIZED POLISHED FINISH NOT AVAILABLE.
OTHER CUSTOM FINISH FEASIBILITY TO BE VALIDATED BEFORE ORDER

EDGE COMPONENT:

BLACK FOR DARK COLOR POWDER
GREY FOR LIGHT COLOR POWDER
AND STAINLESS STEEL

DOOR PREPARATION DP2
page K-Lock_235

SPACERS FOR DOUBLE GLAZED DOOR
page K-Lock_231 - page K-Lock_232

NON LOCKING TO MATCH PULL ON
page K-Lock_178

DIFFERENCES IN THE FINISHING OF (DIFFERENT) COMPONENTS ARE
DUE TO THE DIFFERENT PRODUCTION METHODS. THESE VARIATIONS
ARE NOT CONSIDERED DEFECTS AND ARE A NATURAL RESULT OF THE
FINISHING PROCESS.

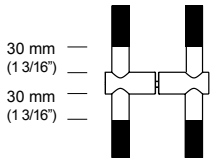


CERTIFICATION LEATHER PF:

THESE PRODUCTS CONTRIBUTE TO LEED® CREDITS

ALL DIMENSIONS IN THE CATALOG DRAWINGS ARE APPROXIMATIONS.
REQUEST THE APPROPRIATE TECHNICAL DRAWING BEFORE DOOR
PREPARATION AND INSTALLATION.

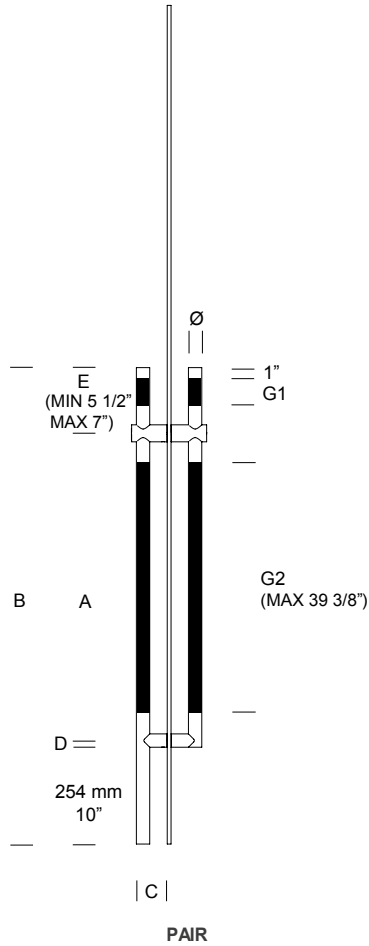
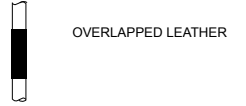
NON LOCKING
HALF SIZE



LA DISTANZA TRA INSERTO IN PELLE
E DISTANZIERE DEVE ESSERE
30 mm (1 3/16")
GAP BETWEEN LEATHER WRAP AND
POST MUST BE
30 mm (1 3/16")



BACK TO BACK FIXING KIT
ALWAYS INCLUDED
SUITABLE FOR GLASS /
WOOD / METAL DOOR



INDICATIVE PICTURE

PAIR	ITEM	A	B	C	D	E	G1	G2	Ø
	KLA.GL2.99TU. xx	custom	custom	85 mm 3 11/32"	custom	custom	custom	custom	37 mm 1 29/64"

Silver Bronze Black Champagne



LEATHER
BLACK PF
BROWN PF



.XX = FINISH CODE

SATIN ANODIZED ALUMINUM
.69 SILVER
.67 BRONZE
.68 BLACK
.66 CHAMPAGNE

CUSTOM ANODIZED POLISHED FINISH NOT AVAILABLE.
OTHER CUSTOM FINISH FEASIBILITY TO BE VALIDATED BEFORE ORDER

EDGE COMPONENT:
BLACK FOR DARK COLOR POWDER
GREY FOR LIGHT COLOR POWDER
AND STAINLESS STEEL

DOOR PREPARATION DP2
page K-Lock_235

SPACERS FOR DOUBLE GLAZED DOOR
page K-Lock_231 - page K-Lock_232

NON LOCKING TO MATCH PULL ON
page K-Lock_179

DIFFERENCES IN THE FINISHING OF (DIFFERENT) COMPONENTS ARE
DUE TO THE DIFFERENT PRODUCTION METHODS. THESE VARIATIONS
ARE NOT CONSIDERED DEFECTS AND ARE A NATURAL RESULT OF THE
FINISHING PROCESS.

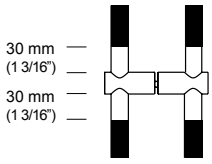


CERTIFICATION LEATHER PF:

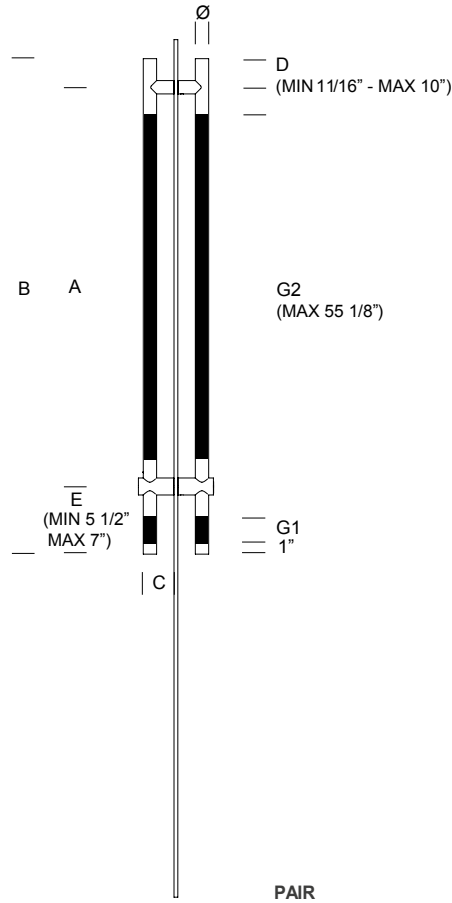
THESE PRODUCTS CONTRIBUTE TO LEED® CREDITS

ALL DIMENSIONS IN THE CATALOG DRAWINGS ARE APPROXIMATIONS.
REQUEST THE APPROPRIATE TECHNICAL DRAWING BEFORE DOOR
PREPARATION AND INSTALLATION.

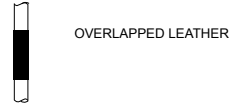
NON LOCKING
HALF SIZE



LA DISTANZA TRA INSERTO IN PELLE
E DISTANZIARE DEVE ESSERE
30 mm (1 3/16")
GAP BETWEEN LEATHER WRAP AND
POST MUST BE
30 mm (1 3/16")



BACK TO BACK FIXING KIT
ALWAYS INCLUDED
SUITABLE FOR GLASS /
WOOD / METAL DOOR



INDICATIVE PICTURE

PAIR	ITEM	A	B	C	D	E	G1	G2	Ø
	KLA.GL2.99RU. xx	custom	custom	85 mm 3 11/32"	custom	custom	custom	custom	37 mm 1 29/64"

Silver Bronze Black Champagne



LEATHER
BLACK PF
BROWN PF

Black Brown



.XX = FINISH CODE

SATIN ANODIZED ALUMINUM
.69 SILVER
.67 BRONZE
.68 BLACK
.66 CHAMPAGNE

CUSTOM ANODIZED POLISHED FINISH NOT AVAILABLE.
OTHER CUSTOM FINISH FEASIBILITY TO BE VALIDATED BEFORE ORDER

EDGE COMPONENT:
BLACK FOR DARK COLOR POWDER
GREY FOR LIGHT COLOR POWDER
AND STAINLESS STEEL

DOOR PREPARATION DP3
page K-Lock_236

SPACERS FOR DOUBLE GLAZED DOOR
page K-Lock_231 - page K-Lock_232

NON LOCKING TO MATCH PULL ON
page K-Lock_180

DIFFERENCES IN THE FINISHING OF (DIFFERENT) COMPONENTS ARE
DUE TO THE DIFFERENT PRODUCTION METHODS. THESE VARIATIONS
ARE NOT CONSIDERED DEFECTS AND ARE A NATURAL RESULT OF THE
FINISHING PROCESS.



CERTIFICATION LEATHER PF:

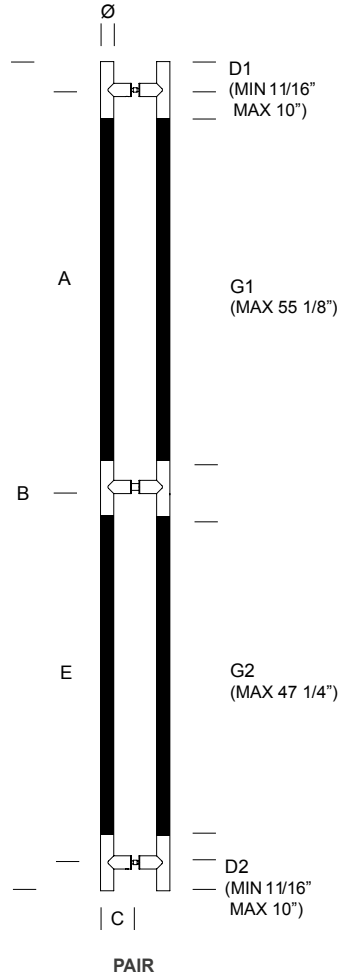
THESE PRODUCTS CONTRIBUTE TO LEED® CREDITS

ALL DIMENSIONS IN THE CATALOG DRAWINGS ARE APPROXIMATIONS.
REQUEST THE APPROPRIATE TECHNICAL DRAWING BEFORE DOOR
PREPARATION AND INSTALLATION.

UNIVERSAL
NON LOCKING
FULL SIZE

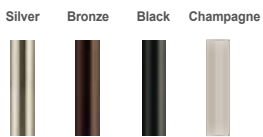


OVERLAPPED
LEATHER



INDICATIVE PICTURE

ITEM	A	B	C	D	E	G1-G2	Ø
KLA.GL4.9999 .xx	custom	custom	85 mm 3 11/32"	custom	custom	custom	37 mm 1 29/64"



.XX = FINISH CODE

SATIN ANODIZED ALUMINUM
.69 SILVER
.67 BRONZE
.68 BLACK
.66 CHAMPAGNE

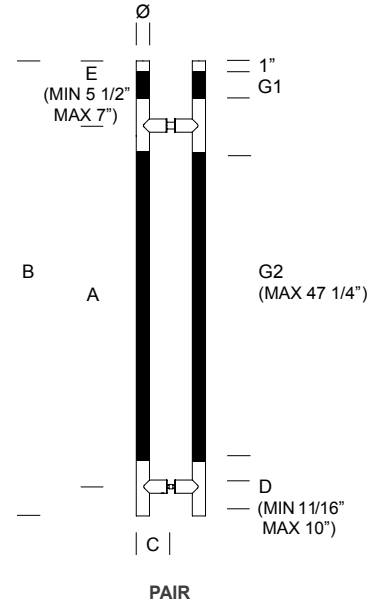
CUSTOM ANODIZED POLISHED FINISH NOT AVAILABLE.
OTHER CUSTOM FINISH FEASIBILITY TO BE VALIDATED BEFORE ORDER

EDGE COMPONENT:
BLACK FOR DARK COLOR POWDER
GREY FOR LIGHT COLOR POWDER AND STAINLESS STEEL

UNIVERSAL
NON LOCKING
HALF SIZE



OVERLAPPED
LEATHER



INDICATIVE PICTURE

ITEM	A	B	C	D	E	G1-G2	Ø
KLA.GL2.9999 .xx	custom	custom	85 mm 3 11/32"	custom	custom	custom	37 mm 1 29/64"

CERTIFICATION LEATHER PF:



THESE PRODUCTS CONTRIBUTE TO LEED® CREDITS

DOOR PREPARATION:
DP4 (UNIVERSAL NO LOCKING FULL SIZE)
DP5 (UNIVERSAL NO LOCKING HALF SIZE)
page K-Lock_237 - page K-Lock_238

SPACERS FOR DOUBLE GLAZED DOOR
2AT.KIT.0010 (UNIVERSAL NO LOCKING FULL SIZE)
2AT.KIT.0009 (UNIVERSAL NO LOCKING HALF SIZE)

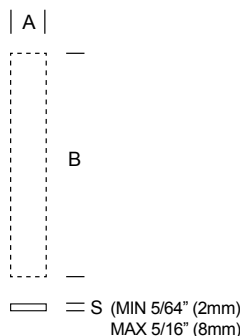
BACK TO BACK FIXING KIT ALWAYS INCLUDED SUITABLE FOR GLASS / WOOD / METAL DOOR

DIFFERENCES IN THE FINISHING OF (DIFFERENT) COMPONENTS ARE DUE TO THE DIFFERENT PRODUCTION METHODS. THESE VARIATIONS ARE NOT CONSIDERED DEFECTS AND ARE A NATURAL RESULT OF THE FINISHING PROCESS.

ALL DIMENSIONS IN THE CATALOG DRAWINGS ARE APPROXIMATIONS. REQUEST THE APPROPRIATE TECHNICAL DRAWING BEFORE DOOR PREPARATION AND INSTALLATION.

STAINLESS STEEL PLATE / PLAQUE ON REQUEST - PLACCA / PIASTRA A MISURA IN ACCIAIO INOX

ITEM	A	B	S
2MM.PLA.9999 .xx	custom	custom	custom



AVAILABLE WITH HOLES FOR FIXING WITH SCREWS OR WITHOUT HOLES FOR GLUING.
FIXINGS NOT INCLUDED

DISPONIBILE CON FORI PER FISSAGGIO CON VITI O SENZA FORI PER INCOLLAGGIO.
FISSAGGI NON INCLUSI.

.XX = FINISH CODE

STAINLESS STEEL
.43 BRIGHT STAINLESS STEEL (ANSI/BHMA 629 - USD32)
.44 SATIN STAINLESS STEEL (ANSI/BHMA 630 - USD32D)

STAINLESS STEEL POWDER-COATED ON REQUEST
.40 BLACK RAL 9005 MAT - TO MATCH WITH PBA BLACK ALUMINUM
.26 BLACK RAL 9005 GLOSSY
.31 WHITE RAL 9010
.32 GREY
.38 CHAMPAGNE
.39 BRONZE - TO MATCH WITH PBA BRONZE ALUMINUM
.36 ARCHITECTURAL BRONZE
.56 MEDIUM BRONZE
.41 SILVER
.55 GOLD

.99 COLOURS ON REQUEST TO MATCH ANY RAL # (screws, grub screws and plastic parts non powdercoated) available on request depending on quantities

ANTIMICROBIAL
COPPER

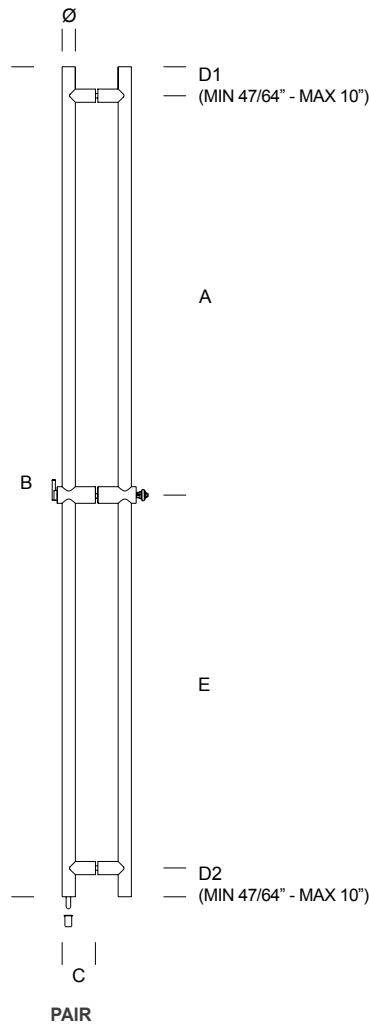
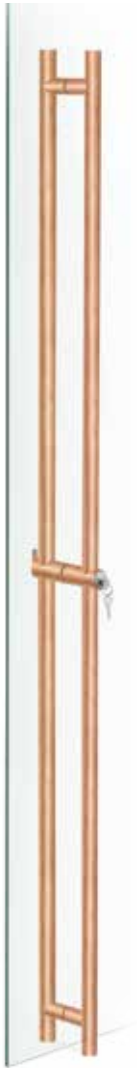


SUPPORTO
POST



CILINDRO PROFILO AMERICANO RIM
AMERICAN RIM CYLINDER

LOCKING
FULL SIZE



ANTIMICROBIAL
COPPER

P B A
PATENTED
SYSTEM

PATENT
102019000012465

CYLINDER NOT INCLUDED



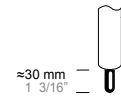
RIM CYLINDER
WITH IC



RIM CYLINDER



ADA COMPLIANT
THUMBTURN



ADJUSTABLE STEEL
DEAD BOLT



DUST-FREE
FLOOR SOCKET

BRAND OF COMPATIBLE RIM CYLINDER:

- ARROW
- CORBIN RUSSWIN
- MEDECO
- SCHLAGE
- BEST
- KABALCO
- SARGENT
- YALE

PAIR



BOTTOM
LOCKING

ITEM	A	B	C	D1	D2	E	Ø
KLU.004.000U .86	1050 mm 41 11/32"	2200 mm 86 5/8"	85 mm 3 11/32"	75 mm 2 15/16"	75 mm 2 15/16"	1000 mm 39 3/8"	37 mm 1 29/64"
KLU.004.0U72 .86	custom	1828 mm 72"	85 mm 3 11/32"	custom	custom	custom	37 mm 1 29/64"
KLU.004.0U84 .86	custom	2133 mm 84"	85 mm 3 11/32"	custom	custom	custom	37 mm 1 29/64"
KLU.004.999U .86	custom	custom	85 mm 3 11/32"	custom	custom	custom	37 mm 1 29/64"

DOOR PREPARATION DP1
page K-Lock_234

SPACERS FOR DOUBLE GLAZED DOOR
KLU.KIT.99U4.99
page K-Lock_233
SPACERS ARE IN COPPER COLOR
POWDER-COATED ALUMINUM

COMBINED NON LOCKING
page K-Lock_195

ITEM
KLU.0G4.000U
KLU.0G4.999U
KLU.0G4.0U72
KLU.0G4.0U84

THESE PRODUCTS CONTRIBUTE TO LEED® CREDITS

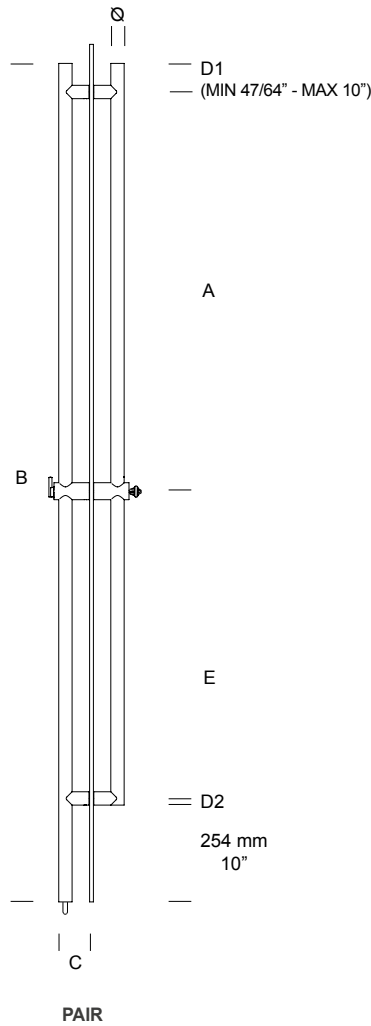
ALL DIMENSIONS IN THE CATALOG DRAWINGS ARE APPROXIMATIONS.
REQUEST THE APPROPRIATE TECHNICAL DRAWING BEFORE DOOR
PREPARATION AND INSTALLATION.

FINISH CODE

.86 SATIN COPPER



LOCKING
FULL SIZE



ANTIMICROBIAL
COPPER

ADA
10"
clearance
layout

PBA
PATENTED
SYSTEM

PATENT
102019000012465

CYLINDER NOT INCLUDED



RIM CYLINDER
WITH IC



RIM CYLINDER



ADA COMPLIANT
THUMBTURN



ADJUSTABLE STEEL
DEAD BOLT



DUST-FREE
FLOOR SOCKET

BRAND OF COMPATIBLE RIM CYLINDER:

- ARROW
- CORBIN RUSSWIN
- MEDECO
- SCHLAGE
- BEST
- KABAILCO
- SARGENT
- YALE

PAIR

BOTTOM
LOCKING



ITEM	A	B	C	D1	D2	E	Ø
KLU.004.00TU. 86	1050 mm 41 11/32"	2200 mm 86 5/8"	85 mm 3 11/32"	75 mm 2 15/16"	18,5 mm 47/64"	802,5 mm 31 19/32"	37 mm 1 29/64"
KLU.004.TU72. 86	custom	1828 mm 72"	85 mm 3 11/32"	custom	18,5 mm 47/64"	custom	37 mm 1 29/64"
KLU.004.TU84. 86	custom	2133 mm 84"	85 mm 3 11/32"	custom	18,5 mm 47/64"	custom	37 mm 1 29/64"
KLU.004.99TU. 86	custom	custom	85 mm 3 11/32"	custom"	18,5 mm 47/64"	custom	37 mm 1 29/64"

DOOR PREPARATION DP1
page K-Lock_234

SPACERS FOR DOUBLE GLAZED DOOR
KLU.KIT.99U4.99
page K-Lock_233
SPACERS ARE IN COPPER COLOR
POWDER-COATED ALUMINUM

COMBINED NON LOCKING
page K-Lock_196

ITEM
KLU.0G4.00TU
KLU.0G4.99TU
KLU.0G4.TU72
KLU.0G4.TU84

THESE PRODUCTS CONTRIBUTE TO LEED® CREDITS

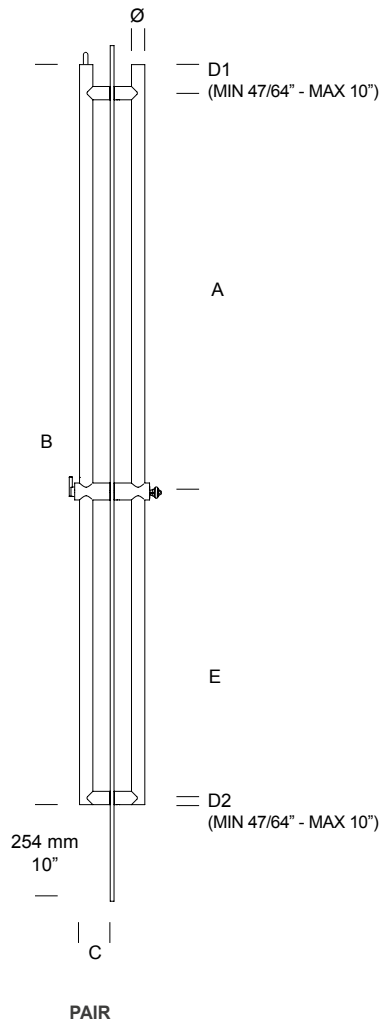
ALL DIMENSIONS IN THE CATALOG DRAWINGS ARE APPROXIMATIONS.
REQUEST THE APPROPRIATE TECHNICAL DRAWING BEFORE DOOR
PREPARATION AND INSTALLATION.

FINISH CODE

.86 SATIN COPPER



LOCKING
FULL SIZE



ANTIMICROBIAL
COPPER

ADA
10"
clearance
Layout

P B A
PATENTED
SYSTEM

PATENT
102019000012465

CYLINDER NOT INCLUDED



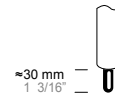
RIM CYLINDER
WITH IC



RIM CYLINDER



ADA COMPLIANT
THUMBTURN



ADJUSTABLE STEEL
DEAD BOLT

≈30 mm
1 3/16"



DUST-FREE
FLOOR SOCKET

BRAND OF COMPATIBLE RIM CYLINDER:

- ARROW
- CORBIN RUSSWIN
- MEDECO
- SCHLAGE
- BEST
- KABAILCO
- SARGENT
- YALE

PAIR

TOP
LOCKING



ITEM	A	B	C	D1	D2	E	Ø
KLU.004.00RU. 86	1050 mm 41 11/32"	1945 mm 76 9/16"	85 mm 3 11/32"	75 mm 2 15/16"	18,5 mm 47/64"	802,5 mm 31 19/32"	37 mm 1 29/64"
KLU.004.RU72. 86	custom	1828 mm 72"	85 mm 3 11/32"	custom	custom	custom	37 mm 1 29/64"
KLU.004.99RU. 86	custom	custom	85 mm 3 11/32"	custom	custom	custom	37 mm 1 29/64"

DOOR PREPARATION DP1
page K-Lock_234

SPACERS FOR DOUBLE GLAZED DOOR
KLU.KIT.99U4.99
page K-Lock_233
SPACERS ARE IN COPPER COLOR
POWDER-COATED ALUMINUM

STRIKE DETAILS
page K-Lock_228

THESE PRODUCTS CONTRIBUTE TO LEED® CREDITS

ALL DIMENSIONS IN THE CATALOG DRAWINGS ARE APPROXIMATIONS.
REQUEST THE APPROPRIATE TECHNICAL DRAWING BEFORE DOOR
PREPARATION AND INSTALLATION.

COMBINED NON LOCKING
page K-Lock_197

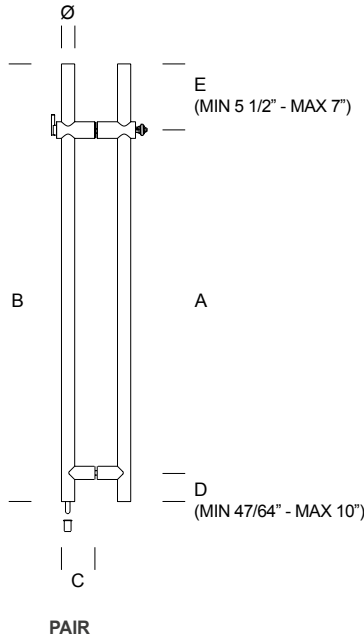
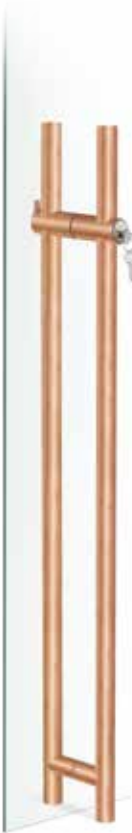
ITEM
KLU.0G4.00RU
KLU.0G4.999U
KLU.0G4.RU72
KLU.0G4.99RU



FINISH CODE

.86 SATIN COPPER

LOCKING
HALF SIZE

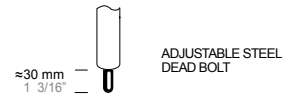


ANTIMICROBIAL
COPPER

P B A
PATENTED
SYSTEM

PATENT
102019000012465

CYLINDER NOT INCLUDED



BRAND OF COMPATIBLE RIM CYLINDER:

- ARROW
- CORBIN RUSSWIN
- MEDECO
- SCHLAGE
- BEST
- KABAILCO
- SARGENT
- YALE

PAIR

BOTTOM
LOCKING



ITEM	A	B	C	D	E	Ø
KLU.002.000U. 86	1000 mm 39 3/8"	1250 mm 49 1/4"	85 mm 3 11/32"	75 mm 2 15/16"	175 mm 6 7/8"	37 mm 1 29/64"
KLU.002.0U48. 86	custom	1219 mm 48"	85 mm 3 11/32"	custom	custom	37 mm 1 29/64"
KLU.002.0U60. 86	custom	1524 mm 60"	85 mm 3 11/32"	custom	custom	37 mm 1 29/64"
KLU.002.999U. 86	custom	custom	85 mm 3 11/32"	custom	custom	37 mm 1 29/64"

DOOR PREPARATION DP2
page K-Lock_235

SPACERS FOR DOUBLE GLAZED DOOR
KLU.KIT.99U2.99
page K-Lock_233
SPACERS ARE IN COPPER COLOR
POWDER-COATED ALUMINUM

COMBINED NON LOCKING
page K-Lock_198

ITEM
KLU.0G2.000U
KLU.0G2.999U
KLU.0G2.0U48
KLU.0G2.0U60

THESE PRODUCTS CONTRIBUTE TO LEED® CREDITS

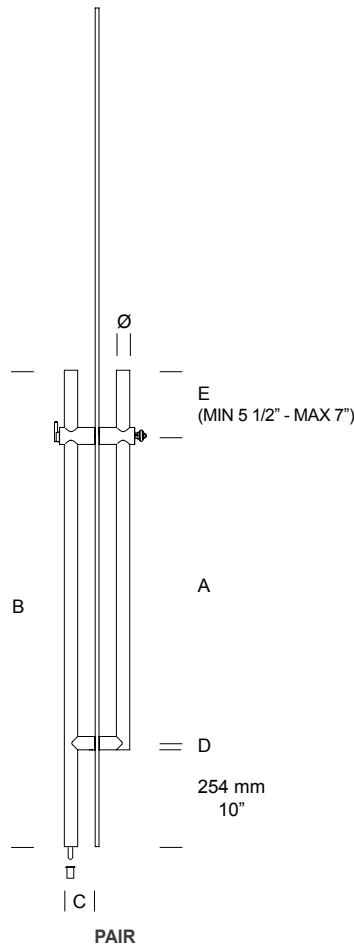
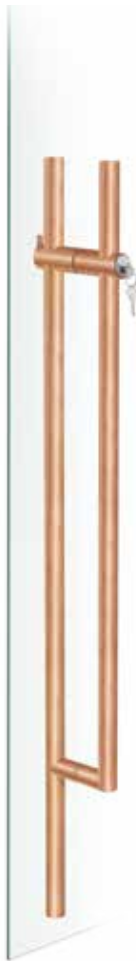
ALL DIMENSIONS IN THE CATALOG DRAWINGS ARE APPROXIMATIONS.
REQUEST THE APPROPRIATE TECHNICAL DRAWING BEFORE DOOR
PREPARATION AND INSTALLATION.

FINISH CODE

.86 SATIN COPPER



LOCKING
HALF SIZE



ANTIMICROBIAL
COPPER

ADA
10"
clearance
Layout

PBA
PATENTED
SYSTEM

PATENT
102019000012465

CYLINDER NOT INCLUDED



RIM CYLINDER
WITH IC



RIM CYLINDER



ADA COMPLIANT
THUMBTURN



ADJUSTABLE STEEL
DEAD BOLT



DUST-FREE
FLOOR SOCKET

BRAND OF COMPATIBLE RIM CYLINDER:

- ARROW
- CORBIN RUSSWIN
- MEDECO
- SCHLAGE
- BEST
- KABAILCO
- SARGENT
- YALE

PAIR

BOTTOM
LOCKING



ITEM	A	B	C	D	E	Ø
KLU.002.00TU. 86	802,5 mm 31 19/32"	1250 mm 49 1/4"	85 mm 3 11/32"	18,5 mm 47/64"	175 mm 6 7/8"	37 mm 1 29/64"
KLU.002.TU48. 86	custom	1219 mm 48"	85 mm 3 11/32"	18,5 mm 47/64"	custom	37 mm 1 29/64"
KLU.002.TU60. 86	custom	1524 mm 60"	85 mm 3 11/32"	18,5 mm 47/64"	custom	37 mm 1 29/64"
KLU.002.99TU. 86	custom	custom	85 mm 3 11/32"	18,5 mm 47/64"	custom	37 mm 1 29/64"

DOOR PREPARATION DP2
page K-Lock_235

SPACERS FOR DOUBLE GLAZED DOOR
KLU.KIT.99U2.99
page K-Lock_233
SPACERS ARE IN COPPER COLOR
POWDER-COATED ALUMINUM

COMBINED NON LOCKING
page K-Lock_199

ITEM
KLU.0G2.00TU
KLU.0G2.99TU
KLU.0G2.0T48
KLU.0G2.0T60

THESE PRODUCTS CONTRIBUTE TO LEED® CREDITS

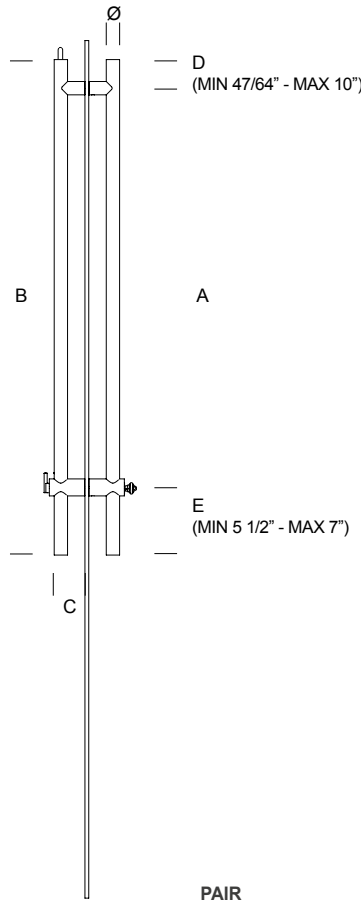
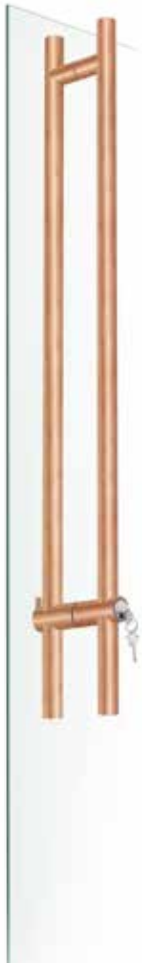
ALL DIMENSIONS IN THE CATALOG DRAWINGS ARE APPROXIMATIONS.
REQUEST THE APPROPRIATE TECHNICAL DRAWING BEFORE DOOR
PREPARATION AND INSTALLATION.

FINISH CODE

.86 SATIN COPPER



LOCKING
HALF SIZE



ANTIMICROBIAL
COPPER

ADA
10"
clearance
layout

PBA
PATENTED
SYSTEM

PATENT
102019000012465

CYLINDER NOT INCLUDED



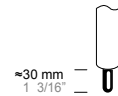
RIM CYLINDER
WITH IC



RIM CYLINDER



ADA COMPLIANT
THUMBTURN



ADJUSTABLE STEEL
DEAD BOLT



DUST-FREE
FLOOR SOCKET

BRAND OF COMPATIBLE RIM CYLINDER:

- ARROW
- CORBIN RUSSWIN
- MEDECO
- SCHLAGE
- BEST
- KABAILCO
- SARGENT
- YALE

PAIR

TOP
LOCKING



ITEM	A	B	C	D	E	Ø
KLU.002.00RU. 86	1050 mm 41 11/32"	1300 mm 51 3/16"	85 mm 3 11/32"	75 mm 2 15/16"	175 mm 6 7/8"	37 mm 1 29/64"
KLU.002.RU48. 86	custom	1219 mm 48"	85 mm 3 11/32"	custom	custom	37 mm 1 29/64"
KLU.002.RU60. 86	custom	1524 mm 60"	85 mm 3 11/32"	custom	custom	37 mm 1 29/64"
KLU.002.RU72. 86	custom	1828 mm 72"	85 mm 3 11/32"	custom	custom	37 mm 1 29/64"
KLU.002.99RU. 86	custom	custom	85 mm 3 11/32"	custom	custom	37 mm 1 29/64"

DOOR PREPARATION DP3
page K-Lock_236

SPACERS FOR DOUBLE GLAZED DOOR
KLU.KIT.99U2.99
page K-Lock_233
SPACERS ARE IN COPPER COLOR
POWDER-COATED ALUMINUM

STRIKE DETAILS
page K-Lock_228

THESE PRODUCTS CONTRIBUTE TO LEED® CREDITS

ALL DIMENSIONS IN THE CATALOG DRAWINGS ARE APPROXIMATIONS.
REQUEST THE APPROPRIATE TECHNICAL DRAWING BEFORE DOOR
PREPARATION AND INSTALLATION.

COMBINED NON LOCKING
page K-Lock_200

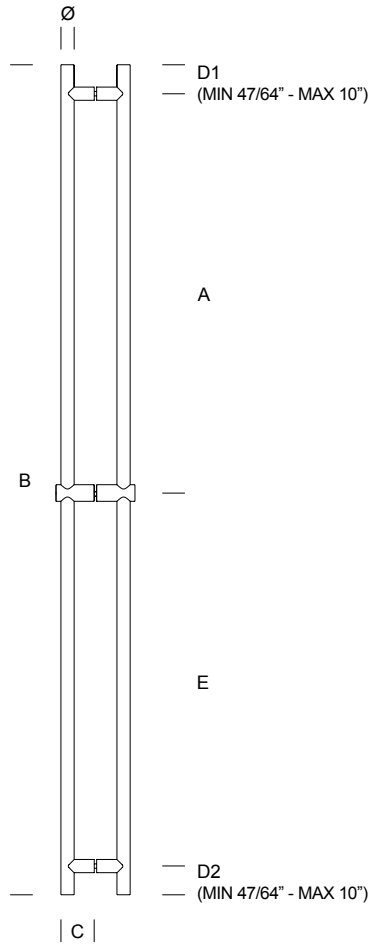
ITEM
KLU.0G2.00RU
KLU.0G2.99RU
KLU.0G2.RU48
KLU.0G2.RU60
KLU.0G2.RU72



FINISH CODE

.86 SATIN COPPER

NON LOCKING
FULL SIZE



ANTIMICROBIAL
COPPER

BACK TO BACK FIXING KIT
ALWAYS INCLUDED
SUITABLE FOR GLASS /
WOOD / METAL DOOR

PAIR

PAIR	ITEM	A	B	C	D1	D2	E	Ø
	KLU.0G4.000U.86	1050 mm 41 11/32"	2200 mm 86 5/8"	85 mm 3 11/32"	75 mm 2 15/16"	75 mm 2 15/16"	1000 mm 39 3/8"	37 mm 1 29/64"
	KLU.0G4.0U72.86	custom	1828 mm 72"	85 mm 3 11/32"	custom	custom	custom	37 mm 1 29/64"
	KLU.0G4.0U84.86	custom	2133 mm 84"	85 mm 3 11/32"	custom	custom	custom	37 mm 1 29/64"
	KLU.0G4.999U.86	custom	custom	85 mm 3 11/32"	custom	custom	custom	37 mm 1 29/64"

DOOR PREPARATION DP1
page K-Lock_234

NON LOCKING TO MATCH PULL ON
page K-Lock_189

SPACERS FOR DOUBLE GLAZED DOOR
KLU.KIT.99U2.99
page K-Lock_233
SPACERS ARE IN COPPER COLOR
POWDER-COATED ALUMINUM

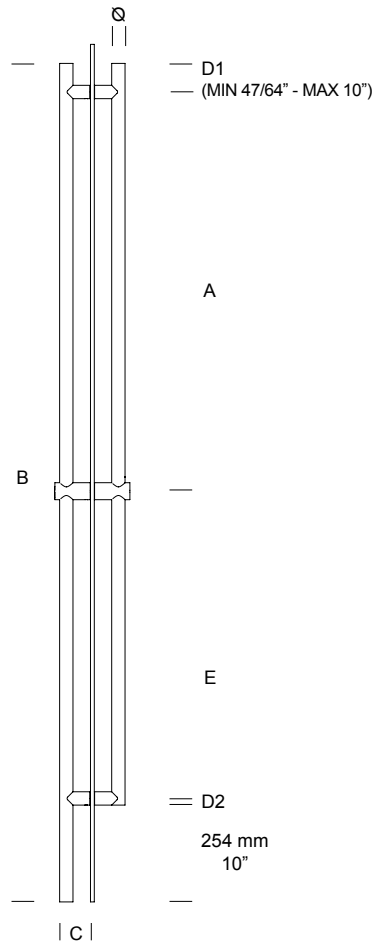
THESE PRODUCTS CONTRIBUTE TO **LEED®** CREDITS

ALL DIMENSIONS IN THE CATALOG DRAWINGS ARE APPROXIMATIONS.
REQUEST THE APPROPRIATE TECHNICAL DRAWING BEFORE DOOR
PREPARATION AND INSTALLATION.

FINISH CODE

.86 SATIN COPPER

NON LOCKING
FULL SIZE



ANTIMICROBIAL
COPPER

ADA
10"
clearance
layout

BACK TO BACK FIXING KIT
ALWAYS INCLUDED
SUITABLE FOR GLASS /
WOOD / METAL DOOR

PAIR

ITEM	A	B	C	D1	D2	E	Ø
PAIR KLU.0G4.00TU. 86	1050 mm 41 11/32"	2200 mm 86 5/8"	85 mm 3 11/32"	75 mm 2 15/16"	18,5 mm 47/64"	802,5 mm 31 19/32"	37 mm 1 29/64"
KLU.0G4.TU72. 86	custom	1828 mm 72"	85 mm 3 11/32"	custom	18,5 mm 47/64"	custom	37 mm 1 29/64"
KLU.0G4.TU84. 86	custom	2133 mm 84"	85 mm 3 11/32"	custom	18,5 mm 47/64"	custom	37 mm 1 29/64"
KLU.0G4.99TU. 86	custom	custom	85 mm 3 11/32"	custom	18,5 mm 47/64"	custom	37 mm 1 29/64"

DOOR PREPARATION DP1
page K-Lock_234

SPACERS FOR DOUBLE GLAZED DOOR
KLU.KIT.99U2.99
page K-Lock_233
SPACERS ARE IN COPPER COLOR
POWDER-COATED ALUMINUM

NON LOCKING TO MATCH PULL ON
page K-Lock_190

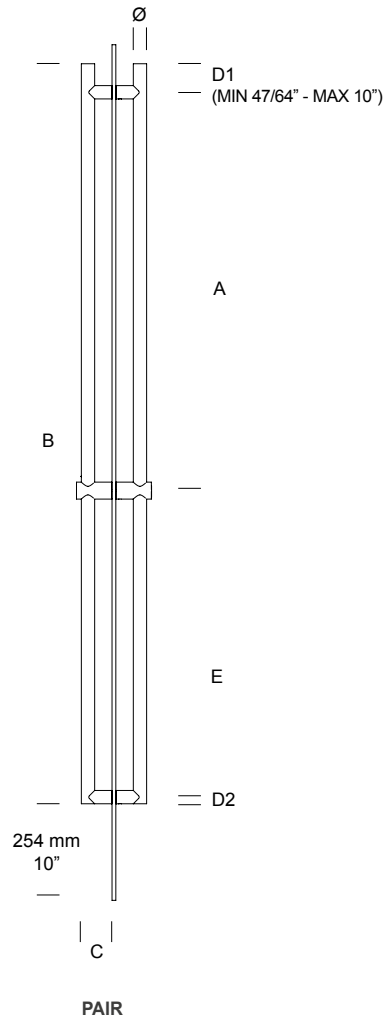
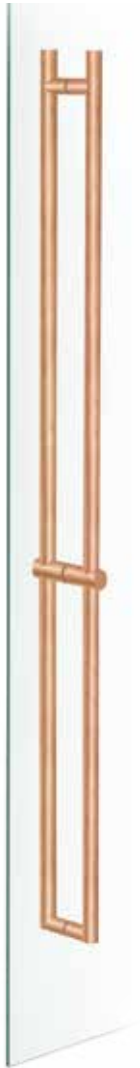
FINISH CODE

.86 SATIN COPPER

THESE PRODUCTS CONTRIBUTE TO LEED® CREDITS

ALL DIMENSIONS IN THE CATALOG DRAWINGS ARE APPROXIMATIONS.
REQUEST THE APPROPRIATE TECHNICAL DRAWING BEFORE DOOR
PREPARATION AND INSTALLATION.

NON LOCKING
FULL SIZE



ANTIMICROBIAL
COPPER

ADA
10"
clearance
l a y o u t

BACK TO BACK FIXING KIT
ALWAYS INCLUDED
SUITABLE FOR GLASS /
WOOD / METAL DOOR

ITEM	A	B	C	D1	D2	E	Ø
PAIR KLU.0G4.00RU. 86	1050 mm 41 11/32"	1945 mm 76 9/16"	85 mm 3 11/32"	75 mm 2 15/16"	18,5 mm 47/64"	802,5 mm 31 19/32"	37 mm 1 29/64"
KLU.0G4.RU72. 86	custom	1828 mm 72"	85 mm 3 11/32"	custom	18,5 mm 47/64"	custom	37 mm 1 29/64"
KLU.0G4.99RU. 86	custom	custom	85 mm 3 11/32"	custom	18,5 mm 47/64"	custom	37 mm 1 29/64"

DOOR PREPARATION DP1
page K-Lock_234

NON LOCKING TO MATCH PULL ON
page K-Lock_191

SPACERS FOR DOUBLE GLAZED DOOR
KLU.KIT.99U2.99
page K-Lock_233
SPACERS ARE IN COPPER COLOR
POWDER-COATED ALUMINUM

THESE PRODUCTS CONTRIBUTE TO LEED® CREDITS

ALL DIMENSIONS IN THE CATALOG DRAWINGS ARE APPROXIMATIONS.
REQUEST THE APPROPRIATE TECHNICAL DRAWING BEFORE DOOR
PREPARATION AND INSTALLATION.

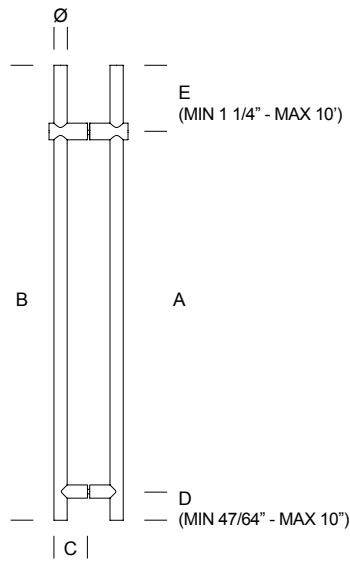
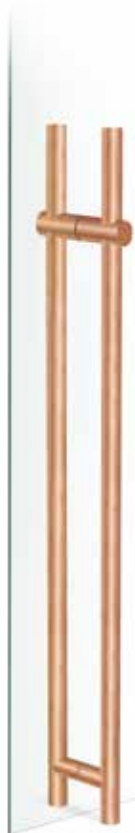
FINISH CODE

.86 SATIN COPPER

NON LOCKING
HALF SIZE

ANTIMICROBIAL
COPPER

BACK TO BACK FIXING KIT
ALWAYS INCLUDED
SUITABLE FOR GLASS /
WOOD / METAL DOOR



PAIR

PAIR



ITEM	A	B	C	D	E	Ø
KLU.0G2.000U. 86	1000 mm 39 3/8"	1250 mm 49 1/4"	85 mm 3 11/32"	75 mm 2 15/16"	175 mm 6 7/8"	37 mm 1 29/64"
KLU.0G2.0U48. 86	custom	1219 mm 48"	85 mm 3 11/32"	custom	custom	37 mm 1 29/64"
KLU.0G2.0U60. 86	custom	1524 mm 60"	85 mm 3 11/32"	custom	custom	37 mm 1 29/64"
KLU.0G2.999U. 86	custom	custom	85 mm 3 11/32"	custom	custom	37 mm 1 29/64"

DOOR PREPARATION DP2
page K-Lock_235

NON LOCKING TO MATCH PULL ON
page K-Lock_192

SPACERS FOR DOUBLE GLAZED DOOR
page K-Lock_233
SPACERS ARE IN COPPER COLOR
POWDER-COATED ALUMINUM

THESE PRODUCTS CONTRIBUTE TO LEED® CREDITS

ALL DIMENSIONS IN THE CATALOG DRAWINGS ARE APPROXIMATIONS.
REQUEST THE APPROPRIATE TECHNICAL DRAWING BEFORE DOOR
PREPARATION AND INSTALLATION.

FINISH CODE

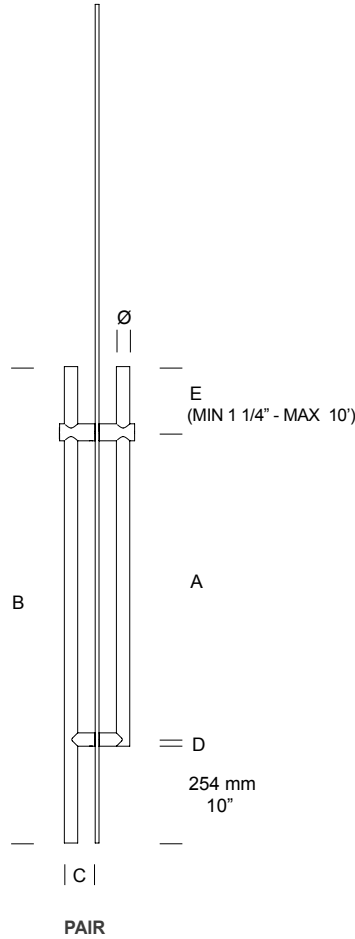
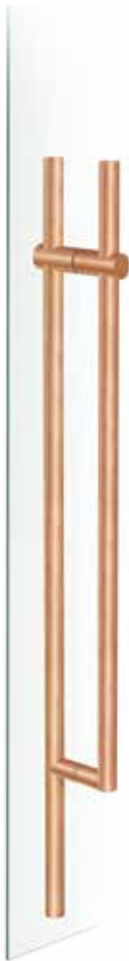
.86 SATIN COPPER

NON LOCKING
HALF SIZE

ANTIMICROBIAL
COPPER

ADA
10"
clearance
l a y o u t

BACK TO BACK FIXING KIT
ALWAYS INCLUDED
SUITABLE FOR GLASS /
WOOD / METAL DOOR



ITEM	A	B	C	D	E	Ø
PAIR KLU.0G2.00TU. 86	802,5 mm 31 19/32"	1250 mm 49 1/4"	85 mm 3 11/32"	18,5 mm 47/64"	175 mm 6 7/8"	37 mm 1 29/64"
KLU.0G2.TU48. 86	custom	1219 mm 48"	85 mm 3 11/32"	18,5 mm 47/64"	custom	37 mm 1 29/64"
KLU.0G2.TU60. 86	custom	1524 mm 60"	85 mm 3 11/32"	18,5 mm 47/64"	custom	37 mm 1 29/64"
KLU.0G2.99TU. 86	custom	custom	85 mm 3 11/32"	18,5 mm 47/64"	custom	37 mm 1 29/64"

DOOR PREPARATION DP2
page K-Lock_235

NON LOCKING TO MATCH PULL ON
page K-Lock_193

SPACERS FOR DOUBLE GLAZED DOOR
page K-Lock_233
SPACERS ARE IN COPPER COLOR
POWDER-COATED ALUMINUM

THESE PRODUCTS CONTRIBUTE TO LEED® CREDITS

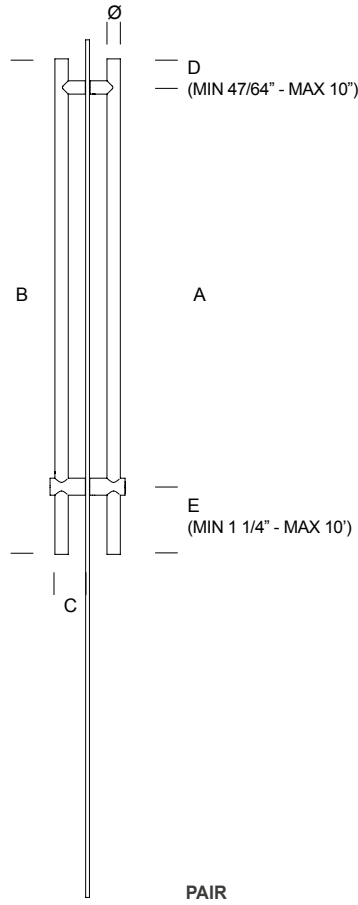
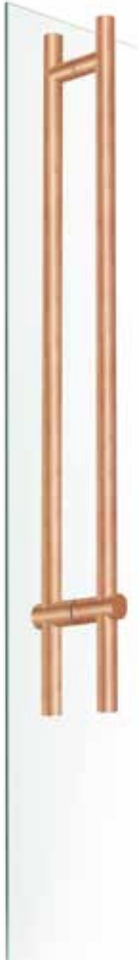
ALL DIMENSIONS IN THE CATALOG DRAWINGS ARE APPROXIMATIONS.
REQUEST THE APPROPRIATE TECHNICAL DRAWING BEFORE DOOR
PREPARATION AND INSTALLATION.

FINISH CODE

.86 SATIN COPPER

NON LOCKING
HALF SIZE

NON LOCKING
HALF SIZE



ANTIMICROBIAL
COPPER

ADA
10"
clearance
l a y o u t

BACK TO BACK FIXING KIT
ALWAYS INCLUDED
SUITABLE FOR GLASS /
WOOD / METAL DOOR

PAIR	ITEM	A	B	C	D	E	Ø
	KLU.0G2.00RU. 86	1050 mm 41 11/32"	1300 mm 51 3/16"	85 mm 3 11/32"	75 mm 2 15/16"	175 mm 6 7/8"	37 mm 1 29/64"
	KLU.0G2.RU48. 86	custom	1219 mm 48"	85 mm 3 11/32"	custom	custom	37 mm 1 29/64"
	KLU.0G2.RU60. 86	custom	1524 mm 60"	85 mm 3 11/32"	custom	custom	37 mm 1 29/64"
	KLU.0G2.RU72. 86	custom	1828 mm 72"	85 mm 3 11/32"	custom	custom	37 mm 1 29/64"
	KLU.0G2.99RU. 86	custom	custom	85 mm 3 11/32"	custom	custom	37 mm 1 29/64"

DOOR PREPARATION DP3
page K-Lock_236

NON LOCKING TO MATCH PULL ON
page K-Lock_194

SPACERS FOR DOUBLE GLAZED DOOR
page K-Lock_233
SPACERS ARE IN COPPER COLOR
POWDER-COATED ALUMINUM

THESE PRODUCTS CONTRIBUTE TO LEED® CREDITS

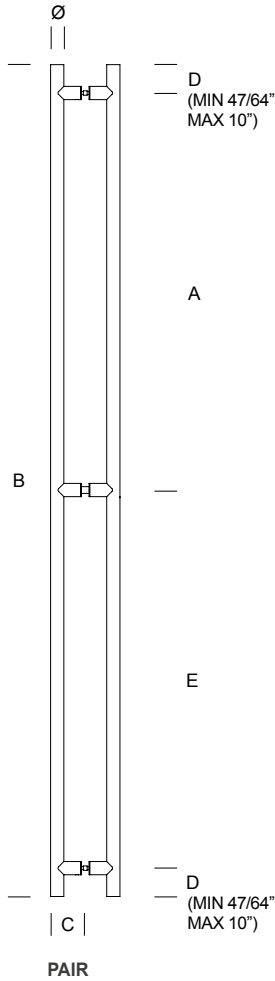
ALL DIMENSIONS IN THE CATALOG DRAWINGS ARE APPROXIMATIONS.
REQUEST THE APPROPRIATE TECHNICAL DRAWING BEFORE DOOR
PREPARATION AND INSTALLATION.

FINISH CODE

.86 SATIN COPPER

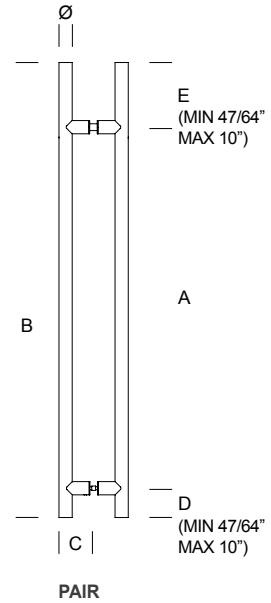
UNIVERSAL
NON LOCKING
FULL SIZE

ANTIMICROBIAL
COPPER



UNIVERSAL
NON LOCKING
HALF SIZE

ANTIMICROBIAL
COPPER



ITEM	A	B	C	D	E	Ø
KLU.0G4.0000.86	1050 mm 41 11/32"	2200 mm 86 5/8"	85 mm 3 11/32"	75 mm 2 15/16"	1000 mm 39 3/8"	37 mm 1 29/64"
KLU.0G4.0072.86	custom	1828 mm 72"	85 mm 3 11/32"	custom	custom	37 mm 1 29/64"
KLU.0G4.0084.86	custom	2133 mm 84"	85 mm 3 11/32"	custom	custom	37 mm 1 29/64"
KLU.0G4.9999.86	custom	custom	85 mm 3 11/32"	custom	custom	37 mm 1 29/64"

ITEM	A	B	C	D	E	Ø
KLU.0G2.0000.86	1000 mm 39 3/8"	1250 mm 49 1/4"	85 mm 3 11/32"	75 mm 2 15/16"	175 mm 6 7/8"	37 mm 1 29/64"
KLU.0G2.0048.86	custom	1219 mm 48"	85 mm 3 11/32"	custom	custom	37 mm 1 29/64"
KLU.0G2.0060.86	custom	1524 mm 60"	85 mm 3 11/32"	custom	custom	37 mm 1 29/64"
KLU.0G2.9999.86	custom	custom	85 mm 3 11/32"	custom	custom	37 mm 1 29/64"

FINISH CODE

.86 SATIN COPPER

DOOR PREPARATION:

DP4 (UNIVERSAL NO LOCKING FULL SIZE)
DP5 (UNIVERSAL NO LOCKING HALF SIZE)
page K-Lock_237 - page K-Lock_238

SPACERS FOR DOUBLE GLAZED DOOR

KLU.KIT.99G4.99 (UNIVERSAL NO LOCKING FULL SIZE)
KLU.KIT.99G2.99 (UNIVERSAL NO LOCKING HALF SIZE)
page K-Lock_233
SPACERS ARE IN COPPER COLOR POWDER-COATED ALUMINUM

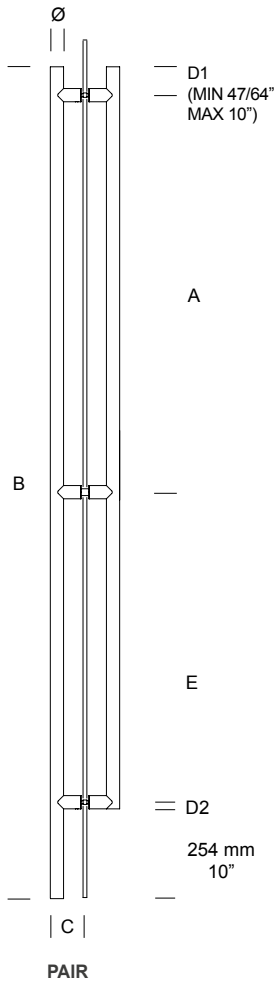
BACK TO BACK FIXING KIT ALWAYS INCLUDED
SUITABLE FOR GLASS / WOOD / METAL DOOR

ALL DIMENSIONS IN THE CATALOG DRAWINGS ARE APPROXIMATIONS.
REQUEST THE APPROPRIATE TECHNICAL DRAWING BEFORE DOOR
PREPARATION AND INSTALLATION.

THESE PRODUCTS CONTRIBUTE TO LEED® CREDITS

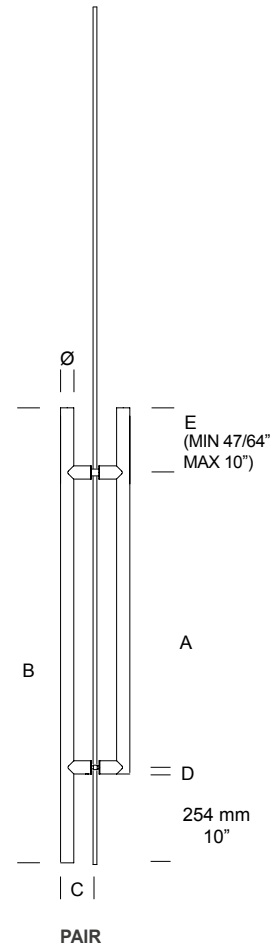
UNIVERSAL
NON LOCKING
FULL SIZE

ANTIMICROBIAL
COPPER



UNIVERSAL
NON LOCKING
HALF SIZE

ANTIMICROBIAL
COPPER



ITEM	A	B	C	D1-D2	E	Ø
KLU.0G4.999T.86 PAIR	custom	custom	85 mm 3 11/32"	custom	custom	37 mm 1 29/64

ITEM	A	B	C	D	E	Ø
KLU.0G2.999T.86 PAIR	custom	custom	85 mm 3 11/32"	18,5 mm 47/64"	custom	37 mm 1 29/64

FINISH CODE

.86 SATIN COPPER

DOOR PREPARATION:

DP4 (UNIVERSAL NO LOCKING FULL SIZE)
DP5 (UNIVERSAL NO LOCKING HALF SIZE)
page K-Lock_237 - page K-Lock_238

SPACERS FOR DOUBLE GLAZED DOOR

KLU.KIT.99G4.99 (UNIVERSAL NO LOCKING FULL SIZE)
KLU.KIT.99G2.99 (UNIVERSAL NO LOCKING HALF SIZE)
page K-Lock_233
SPACERS ARE IN COPPER COLOR POWDER-COATED ALUMINUM

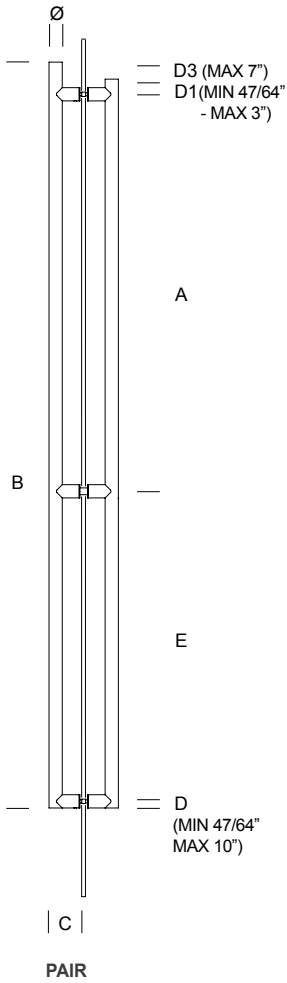
BACK TO BACK FIXING KIT ALWAYS INCLUDED
SUITABLE FOR GLASS / WOOD / METAL DOOR

ALL DIMENSIONS IN THE CATALOG DRAWINGS ARE APPROXIMATIONS.
REQUEST THE APPROPRIATE TECHNICAL DRAWING BEFORE DOOR
PREPARATION AND INSTALLATION.

THESE PRODUCTS CONTRIBUTE TO LEED® CREDITS

UNIVERSAL
NON LOCKING
FULL SIZE

ANTIMICROBIAL
COPPER



ITEM	A	B	C	D-D2-D3	E	Ø
KLU.0G4.999Z.86	custom	custom	85 mm 3 11/32"	custom	custom	37 mm 1 29/64

FINISH CODE

.86 SATIN COPPER

DOOR PREPARATION:

DP4 (UNIVERSAL NO LOCKING FULL SIZE)
DP5 (UNIVERSAL NO LOCKING HALF SIZE)
page K-Lock_237 - page K-Lock_238

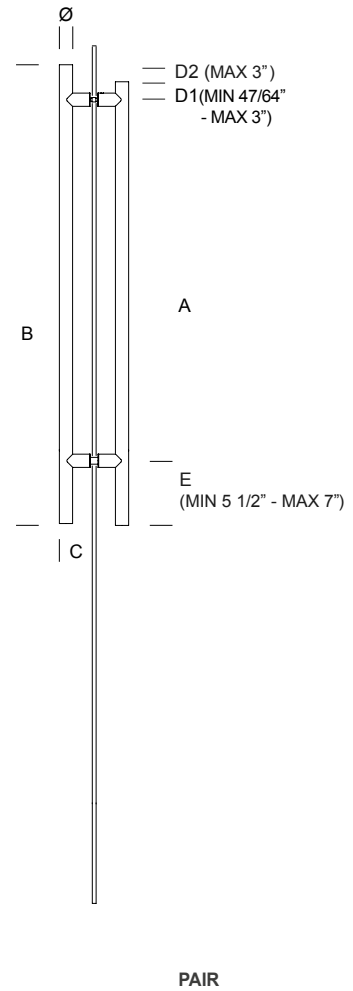
SPACERS FOR DOUBLE GLAZED DOOR

KLU.KIT.99G4.99 (UNIVERSAL NO LOCKING FULL SIZE)
KLU.KIT.99G2.99 (UNIVERSAL NO LOCKING HALF SIZE)
page K-Lock_233
SPACERS ARE IN COPPER COLOR POWDER-COATED ALUMINUM

BACK TO BACK FIXING KIT ALWAYS INCLUDED
SUITABLE FOR GLASS / WOOD / METAL DOOR

UNIVERSAL
NON LOCKING
HALF SIZE

ANTIMICROBIAL
COPPER

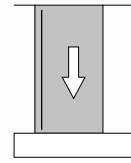


ITEM	A	B	C	D	E	Ø
KLU.0G2.999Z.86	custom	custom	85 mm 3 11/32"	custom	custom	37 mm 1 29/64

ALL DIMENSIONS IN THE CATALOG DRAWINGS ARE APPROXIMATIONS.
REQUEST THE APPROPRIATE TECHNICAL DRAWING BEFORE DOOR
PREPARATION AND INSTALLATION.

THESE PRODUCTS CONTRIBUTE TO LEED® CREDITS

SINGLE-MOTION UNLOCKING DOOR PULL
FOR SWING DOOR - PULL
ALUMINUM



PATENT
no. 11,519,199

SINGLE
MOTION

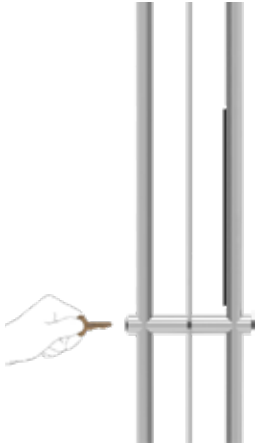
A D A
< 5 lbf



OUTSIDE

SINGLE-MOTION UNLOCKING DOOR PULL FOR SWING DOOR - PULL

USE KEY TO LOCK (L) AND UNLOCK (U)



U TOP BOLT RETRACTS INTO THE PULL



ACTIVATION BAR DRAWS BACK INTO PULL



THUMBTURN ROTATES INTO THE UPWARD POSITION

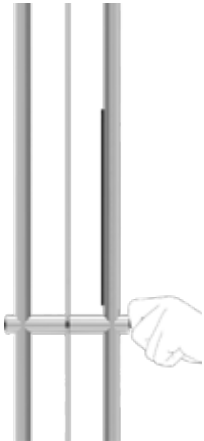
L TOP BOLT ENGAGES UPWARD INTO THE TOP STRIKE

ACTIVATION BAR PUSHES OUT OF THE PULL

THUMBTURN ROTATES DOWNWARD TO ITS SIDEWAYS POSITION

INSIDE

USE THUMBTURN TO LOCK (L)



L TOP BOLT ENGAGES UPWARD INTO THE TOP STRIKE



ACTIVATION BAR PUSHES OUT OF THE PULL



THUMBTURN ROTATES DOWNWARD TO ITS SIDEWAYS POSITION

INSIDE

UNLOCK (U) AND OPEN DOOR VIA ACTIVATION BAR



U TOP BOLT RETRACTS INTO THE PULL

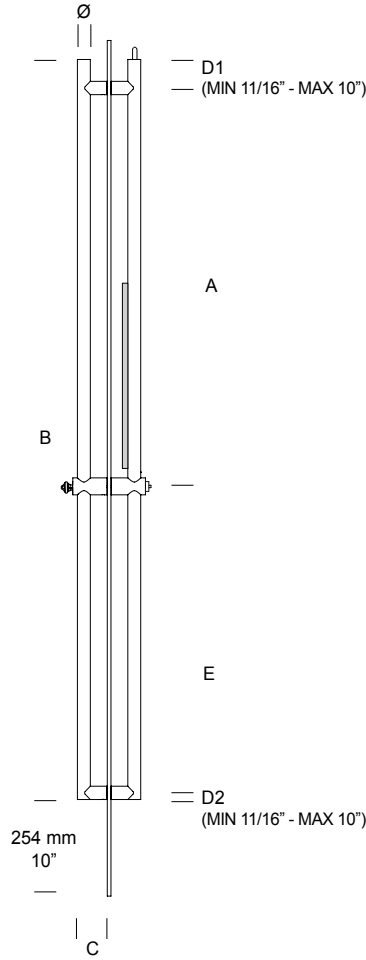
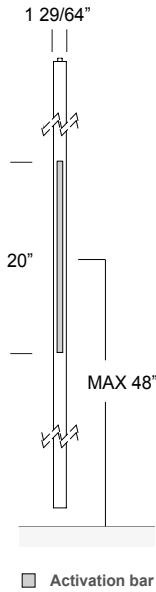
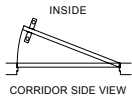
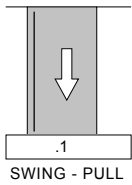


ACTIVATION BAR DRAWS BACK INTO PULL



THUMBTURN ROTATES INTO THE UPWARD POSITION

LOCKING FULL SIZE



PAIR



CYLINDER NOT INCLUDED



ON REQUEST: CUSTOM STRIKE

PAIR



TOP LOCKING

ITEM	A	B	C	D1	D2	E	∅
KLA.SP4.RU72. xx .1	custom	1828 mm 72"	85 mm 3 11/32"	custom	custom	custom	37 mm 1 29/64"
KLA.SP4.RU84. xx .1	custom	2133 mm 84"	85 mm 3 11/32"	custom	custom	custom	37 mm 1 29/64"
KLA.SP4.99RU. xx .1	custom	custom	85 mm 3 11/32"	custom	custom	custom	37 mm 1 29/64"

The additional support is necessary for A > 1752,60 mm - 69"

Dimension (A + D1) MIN = 990,6 mm - 39"

Dimension (E + D2) MIN = 178 mm - 7". Dimension E MIN = 160 mm

Activation bar midpoint has to be at MAX 48" (1219,2 mm) above finish floor

Silver Bronze Black



.XX = FINISH CODE

SATIN ANODIZED ALUMINUM

- .69 SILVER
- .67 BRONZE
- .68 BLACK

Custom anodized polished finish not available. Other custom finish feasibility to be validated before order

ACTIVATION BAR:

SILVER FOR BLACK PULL - BLACK FOR BRONZE PULL
CAPS: Black Activation Bar - Black Caps; Silver Activation Bar - Polyamide-6 Grey Caps;
On request: Champagne Activation Bar - Polyamide-6 Grey Caps

EDGE COMPONENT:

BLACK FOR BLACK AND BRONZE PULL - GREY FOR SILVER PULL

Differences in the finishing of (different) components are due to the different production methods. These variations are not considered defects and are a natural result of the finishing process.



DOOR PREPARATION DP6
page K_Lock_251

SPACERS FOR DOUBLE GLAZED DOOR
KLA.KIT.99U4
page K_Lock_250

STRIKE DETAILS
page K_Lock_246 - page K_Lock_247

THESE PRODUCTS CONTRIBUTE TO LEED® CREDITS

THE MANUFACTURER RESERVES THE RIGHT TO ALTER, IMPROVE AND DISCONTINUE ANY FEATURES OF THE PRODUCT [MAKE CHANGES AND IMPROVEMENTS IN DESIGNS AND DIMENSIONS] WITHOUT NOTICE.

ALL DIMENSIONS IN THE CATALOG DRAWINGS ARE APPROXIMATIONS. REQUEST THE APPROPRIATE TECHNICAL DRAWING BEFORE DOOR PREPARATION AND INSTALLATION.

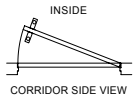
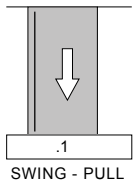
BRAND OF COMPATIBLE RIM CYLINDER:	
- ARROW	- BEST
- CORBIN RUSSWIN	- KABAILCO
- MEDECO	- SARGENT
- SCHLAGE	- YALE

COMBINED NON LOCKING page K_Lock_224

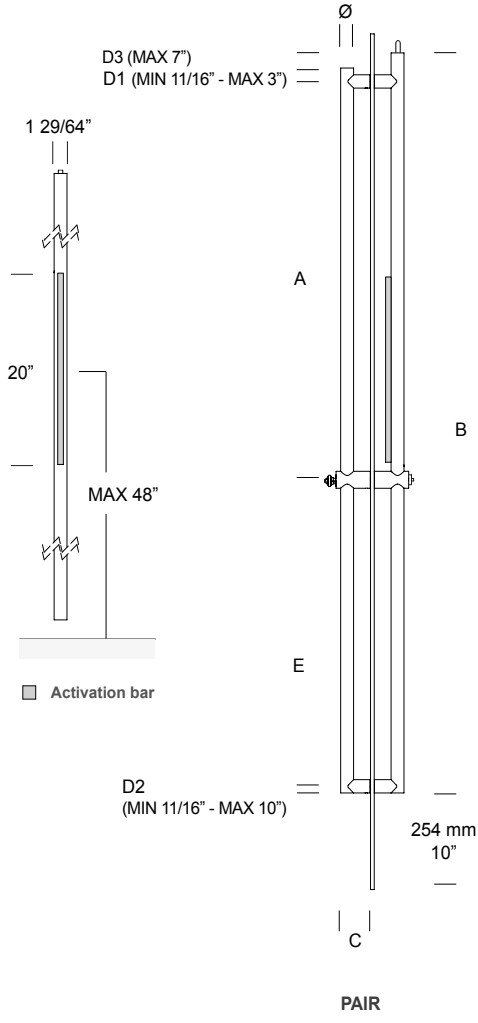
ITEM
KLA.0G4.00RU
KLA.0G4.99RU
KLA.0G4.RU72



LOCKING FULL SIZE



ADA
< 5 lbf



ADA
10" clearance layout

PATENT
no. 11.519.199

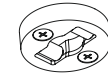
CYLINDER NOT INCLUDED



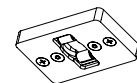
≈30 mm
1 3/16"



INCLUDED:
ADJUSTABLE
STEEL DEAD BOLT



INCLUDED:
STRIKE WITH
ROLLERS



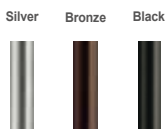
ON REQUEST:
ADJUSTABLE TOP STRIKE
WITH ROLLERS

ON REQUEST:
CUSTOM STRIKE

PAIR
TOP LOCKING

ITEM	A	B	C	D1	D2	D3	E	Ø
KLA.SP4.9ZU1. xx .1	custom	custom	85 mm 3 11/32"	custom	custom	custom	custom	37 mm 1 29/64"

The additional support is necessary for A > 1752,60 mm - 69"
 Dimension (A + D1) MIN = 990,6 mm - 39"
 Dimension (E + D2) MIN = 178 mm - 7". Dimension E MIN = 160 mm
 Activation bar midpoint has to be at MAX 48" (1219,2 mm) above finish floor



XX = FINISH CODE

SATIN ANODIZED ALUMINUM

- .69 SILVER
- .67 BRONZE
- .68 BLACK

Custom anodized polished finish not available. Other custom finish feasibility to be validated before order

ACTIVATION BAR:

SILVER FOR BLACK PULL - BLACK FOR BRONZE PULL
 CAPS: Black Activation Bar - Black Caps; Silver Activation Bar - Polyamide-6 Grey Caps;
 On request: Champagne Activation Bar - Polyamide-6 Grey Caps

EDGE COMPONENT:

BLACK FOR BLACK AND BRONZE PULL - GREY FOR SILVER PULL

Differences in the finishing of (different) components are due to the different production methods. These variations are not considered defects and are a natural result of the finishing process.



DOOR PREPARATION DP6
page K_Lock_251

SPACERS FOR DOUBLE GLAZED DOOR
KLA.KIT.99U4
page K_Lock_250

STRIKE DETAILS
page K_Lock_246 - page K_Lock_247

THESE PRODUCTS CONTRIBUTE TO LEED® CREDITS

THE MANUFACTURER RESERVES THE RIGHT TO ALTER, IMPROVE AND DISCONTINUE ANY FEATURES OF THE PRODUCT [MAKE CHANGES AND IMPROVEMENTS IN DESIGNS AND DIMENSIONS] WITHOUT NOTICE.

ALL DIMENSIONS IN THE CATALOG DRAWINGS ARE APPROXIMATIONS. REQUEST THE APPROPRIATE TECHNICAL DRAWING BEFORE DOOR PREPARATION AND INSTALLATION.

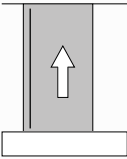
BRAND OF COMPATIBLE RIM CYLINDER:	
- ARROW	- BEST
- CORBIN RUSSWIN	- KABAILCO
- MEDECO	- SARGENT
- SCHLAGE	- YALE

COMBINED NON LOCKING page K_Lock_225

ITEM
KLA.0G4.99ZU



SINGLE-MOTION UNLOCKING DOOR PULL
FOR SWING DOOR - PUSH
ALUMINUM



PATENT
no. 11,519,199

SINGLE
MOTION

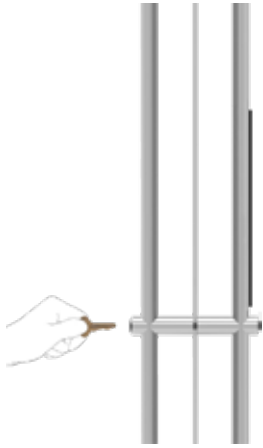
A D A
< 5 lbf



OUTSIDE

USE KEY TO LOCK (L) AND UNLOCK (U)

SINGLE-MOTION UNLOCKING DOOR PULL
FOR SWING DOOR - PUSH



U TOP BOLT RETRACTS INTO THE PULL



ACTIVATION BAR DRAWS BACK INTO PULL



THUMBTURN ROTATES INTO THE UPWARD POSITION

L TOP BOLT ENGAGES UPWARD INTO THE TOP STRIKE

ACTIVATION BAR PUSHES OUT OF THE PULL

THUMBTURN ROTATES DOWNWARD TO ITS SIDEWAYS POSITION

INSIDE

USE THUMBTURN TO LOCK (L)



L TOP BOLT ENGAGES UPWARD INTO THE TOP STRIKE



ACTIVATION BAR PUSHES OUT OF THE PULL



THUMBTURN ROTATES DOWNWARD TO ITS SIDEWAYS POSITION

INSIDE

UNLOCK (U) AND OPEN DOOR VIA ACTIVATION BAR



U TOP BOLT RETRACTS INTO THE PULL

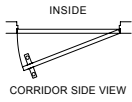
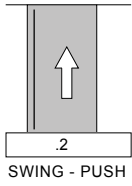


ACTIVATION BAR DRAWS BACK INTO PULL

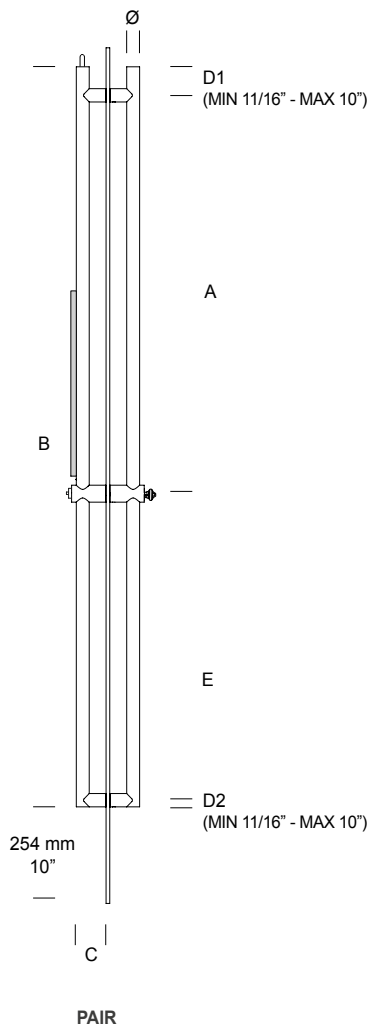
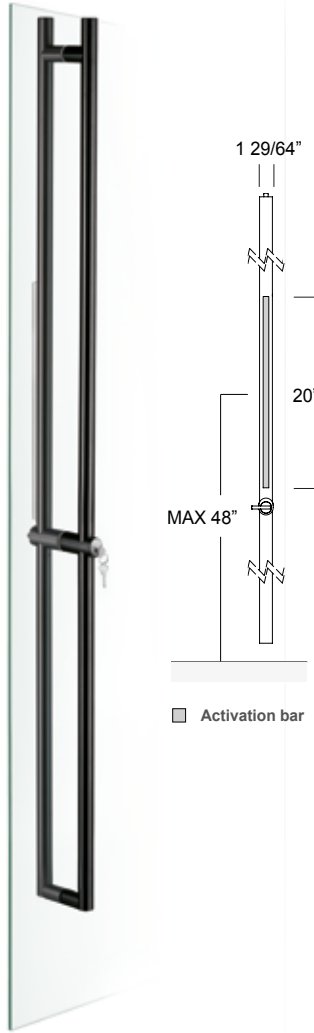


THUMBTURN ROTATES INTO THE UPWARD POSITION

LOCKING FULL SIZE



ADA
< 5 lbf



ADA
10" clearance layout

PATENT
no. 11.519.199

CYLINDER NOT INCLUDED



RIM CYLINDER WITH IC



RIM CYLINDER



INCLUDED: ADA 3 COMPLIANT THUMBTURN



ON REQUEST: ADA 3 COMPLIANT THUMBTURN

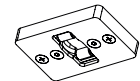
≈30 mm
1 3/16"



INCLUDED: ADJUSTABLE STEEL DEAD BOLT



INCLUDED: STRIKE WITH ROLLERS



ON REQUEST: ADJUSTABLE TOP STRIKE WITH ROLLERS

ON REQUEST: CUSTOM STRIKE

PAIR



TOP LOCKING

	ITEM	A	B	C	D1	D2	E	Ø
PAIR	KLA.SP4.RU72. xx .2	custom	1828 mm 72"	85 mm 3 11/32"	custom	custom	custom	37 mm 1 29/64"
TOP LOCKING	KLA.SP4.RU84. xx .2	custom	2133 mm 84"	85 mm 3 11/32"	custom	custom	custom	37 mm 1 29/64"
	KLA.SP4.99RU. xx .2	custom	custom	85 mm 3 11/32"	custom	custom	custom	37 mm 1 29/64"

The additional support is necessary for A > 1752,60 mm - 69"
Dimension (A + D1) MIN = 990,6 mm - 39"
Dimension (E + D2) MIN = 178 mm - 7". Dimension E MIN = 160 mm
Activation bar midpoint has to be at MAX 48" (1219,2 mm) above finish floor

Silver Bronze Black



.XX = FINISH CODE

SATIN ANODIZED ALUMINUM
.69 SILVER
.67 BRONZE
.68 BLACK

Custom anodized polished finish not available. Other custom finish feasibility to be validated before order

ACTIVATION BAR:

SILVER FOR BLACK PULL - BLACK FOR SILVER PULL - BLACK FOR BRONZE PULL
CAPS: Black Activation Bar - Black Caps; Silver Activation Bar - Polyamide-6 Grey Caps;
On request: Champagne Activation Bar - Polyamide-6 Grey Caps

EDGE COMPONENT:

BLACK FOR BLACK AND BRONZE PULL - GREY FOR SILVER PULL

Differences in the finishing of (different) components are due to the different production methods. These variations are not considered defects and are a natural result of the finishing process.



DOOR PREPARATION DP6
page K_Lock_251

SPACERS FOR DOUBLE GLAZED DOOR
KLA.KIT.99U4
page K_Lock_250

STRIKE DETAILS
page K_Lock_246 - page K_Lock_247

THESE PRODUCTS CONTRIBUTE TO LEED® CREDITS

THE MANUFACTURER RESERVES THE RIGHT TO ALTER, IMPROVE AND DISCONTINUE ANY FEATURES OF THE PRODUCT [MAKE CHANGES AND IMPROVEMENTS IN DESIGNS AND DIMENSIONS] WITHOUT NOTICE.

ALL DIMENSIONS IN THE CATALOG DRAWINGS ARE APPROXIMATIONS. REQUEST THE APPROPRIATE TECHNICAL DRAWING BEFORE DOOR PREPARATION AND INSTALLATION.

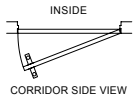
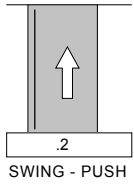
BRAND OF COMPATIBLE RIM CYLINDER:
- ARROW - BEST
- CORBIN RUSSWIN - KABAILCO
- MEDECO - SARGENT
- SCHLAGE - YALE

COMBINED NON LOCKING page K_Lock_224

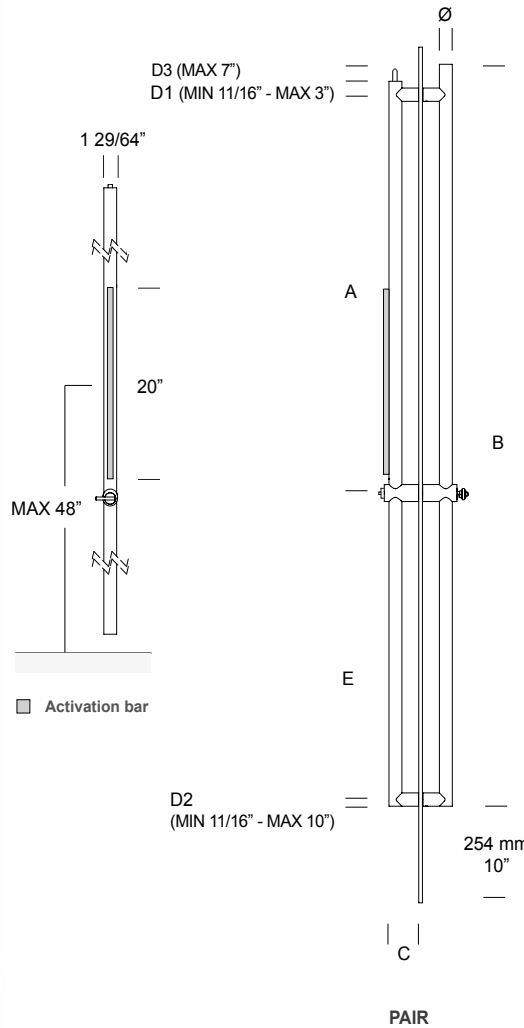
ITEM
KLA.0G4.00RU
KLA.0G4.99RU
KLA.0G4.RU72



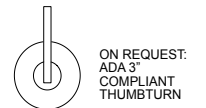
LOCKING FULL SIZE



ADA < 5 lbf



CYLINDER NOT INCLUDED

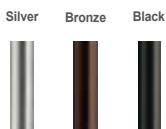


ON REQUEST: CUSTOM STRIKE

PAIR
TOP LOCKING

ITEM	A	B	C	D1	D2	D3	E	Ø
KLA.SP4.9ZU2. xx .2	custom	custom	85 mm 3 11/32"	custom	custom	custom	custom	37 mm 1 29/64"

The additional support is necessary for A > 1752,60 mm - 69"
Dimension (A + D1) MIN = 990,6 mm - 39"
Dimension (E + D2) MIN = 178 mm - 7". Dimension E MIN = 160 mm
Activation bar midpoint has to be at MAX 48" (1219,2 mm) above finish floor



XX = FINISH CODE

SATIN ANODIZED ALUMINUM

- .69 SILVER
- .67 BRONZE
- .68 BLACK

Custom anodized polished finish not available. Other custom finish feasibility to be validated before order

ACTIVATION BAR:

SILVER FOR BLACK PULL - BLACK FOR BRONZE PULL
CAPS: Black Activation Bar - Black Caps; Silver Activation Bar - Polyamide-6 Grey Caps;
On request: Champagne Activation Bar - Polyamide-6 Grey Caps

EDGE COMPONENT:

BLACK FOR BLACK AND BRONZE PULL - GREY FOR SILVER PULL

Differences in the finishing of (different) components are due to the different production methods. These variations are not considered defects and are a natural result of the finishing process.



DOOR PREPARATION DP6
page K_Lock_251

SPACERS FOR DOUBLE GLAZED DOOR
KLA.KIT.99U4
page K_Lock_250

STRIKE DETAILS
page K_Lock_246 - page K_Lock_247

THESE PRODUCTS CONTRIBUTE TO LEED® CREDITS

THE MANUFACTURER RESERVES THE RIGHT TO ALTER, IMPROVE AND DISCONTINUE ANY FEATURES OF THE PRODUCT [MAKE CHANGES AND IMPROVEMENTS IN DESIGNS AND DIMENSIONS] WITHOUT NOTICE.

ALL DIMENSIONS IN THE CATALOG DRAWINGS ARE APPROXIMATIONS. REQUEST THE APPROPRIATE TECHNICAL DRAWING BEFORE DOOR PREPARATION AND INSTALLATION.

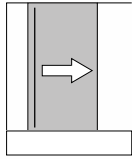
BRAND OF COMPATIBLE RIM CYLINDER:	
- ARROW	- BEST
- CORBIN RUSSWIN	- KABALCO
- MEDECO	- SARGENT
- SCHLAGE	- YALE

COMBINED NON LOCKING page K_Lock_225

ITEM
KLA.0G4.99ZU



SINGLE-MOTION UNLOCKING DOOR PULL
FOR SLIDING DOOR
ALUMINUM



PATENT
no. 11,519,199

SINGLE
MOTION

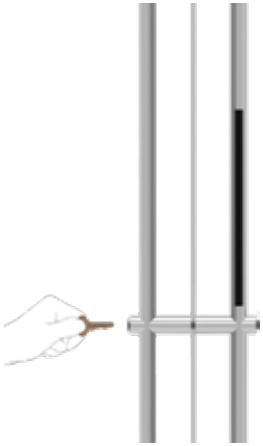
A D A
< 5 lbf



OUTSIDE

USE KEY TO LOCK (L) AND UNLOCK (U)

SINGLE-MOTION UNLOCKING DOOR PULL
FOR SLIDING DOOR



U TOP BOLT RETRACTS INTO THE PULL



ACTIVATION BAR DRAWS BACK INTO PULL



THUMBTURN ROTATES INTO THE UPWARD POSITION

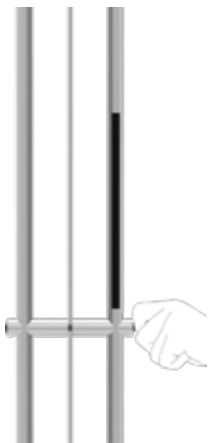
L TOP BOLT ENGAGES UPWARD INTO THE TOP STRIKE

ACTIVATION BAR PUSHES OUT OF THE PULL

THUMBTURN ROTATES DOWNWARD TO ITS SIDEWAYS POSITION

INSIDE

USE THUMBTURN TO LOCK (L)



L TOP BOLT ENGAGES UPWARD INTO THE TOP STRIKE



ACTIVATION BAR PUSHES OUT OF THE PULL



THUMBTURN ROTATES DOWNWARD TO ITS SIDEWAYS POSITION

INSIDE

UNLOCK (U) AND OPEN DOOR VIA ACTIVATION BAR



U TOP BOLT RETRACTS INTO THE PULL

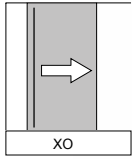


ACTIVATION BAR DRAWS BACK INTO PULL

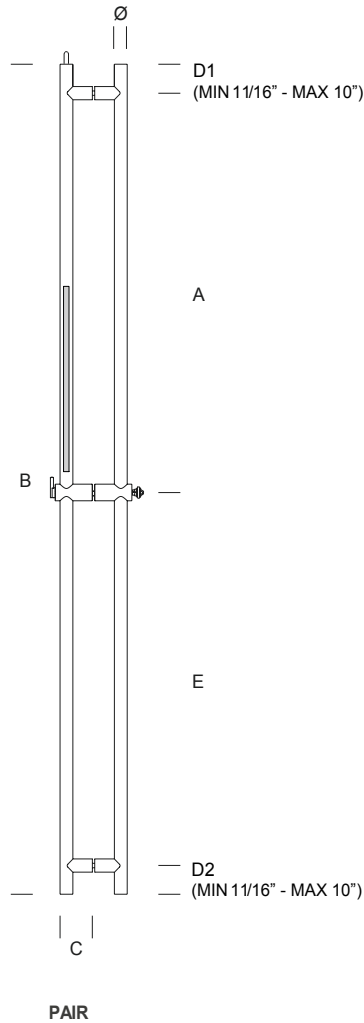
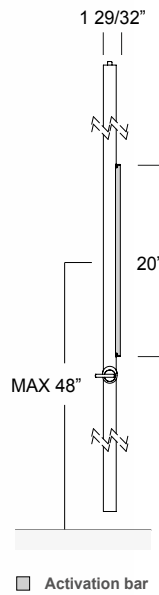


THUMBTURN ROTATES INTO THE UPWARD POSITION

LOCKING FULL SIZE



ADA
< 5 lbf



PATENT
no. 11.519.199

CYLINDER NOT INCLUDED



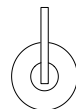
RIM CYLINDER WITH IC



RIM CYLINDER



INCLUDED: ADA 1-9/16" COMPLIANT THUMBTURN

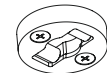


ON REQUEST: ADA 3" COMPLIANT THUMBTURN

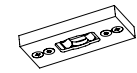
~30 mm
1 3/16"



INCLUDED: ADJUSTABLE STEEL DEAD BOLT



INCLUDED: STRIKE WITH ROLLERS



ON REQUEST: ADJUSTABLE TOP STRIKE WITH ROLLERS

ON REQUEST: CUSTOM STRIKE

PAIR

TOP LOCKING



ITEM	A	B	C	D1	D2	E	Ø
KLA.SS4.0U72. xx .2	custom	1828 mm 72"	85 mm 3 11/32"	custom	custom	custom	37 mm 1 29/64"
KLA.SS4.0U84. xx .2	custom	2133 mm 84"	85 mm 3 11/32"	custom	custom	custom	37 mm 1 29/64"
KLA.SS4.999U. xx .2	custom	custom	85 mm 3 11/32"	custom	custom	custom	37 mm 1 29/64"

The additional support is necessary for A > 1752,60 mm - 69"
Dimension (A + D1) MIN = 990,6 mm - 39"
Dimension (E + D2) MIN = 178 mm - 7". Dimension E MIN = 160 mm
Activation bar midpoint has to be at MAX 48" (1219,2 mm) above finish floor

BRAND OF COMPATIBLE RIM CYLINDER:
- ARROW - BEST
- CORBIN RUSSWIN - KABAILCO
- MEDECO - SARGENT
- SCHLAGE - YALE

Silver Bronze Black



.XX = FINISH CODE

SATIN ANODIZED ALUMINUM
.69 SILVER
.67 BRONZE
.68 BLACK

Custom anodized polished finish not available. Other custom finish feasibility to be validated before order



DOOR PREPARATION DP6
page K_Lock_251

SPACERS FOR DOUBLE GLAZED DOOR
KLA.KIT.99U4
page K_Lock_250

STRIKE DETAILS
page K_Lock_246 - page K_Lock_247

THESE PRODUCTS CONTRIBUTE TO LEED® CREDITS

THE MANUFACTURER RESERVES THE RIGHT TO ALTER, IMPROVE AND DISCONTINUE ANY FEATURES OF THE PRODUCT [MAKE CHANGES AND IMPROVEMENTS IN DESIGNS AND DIMENSIONS] WITHOUT NOTICE.

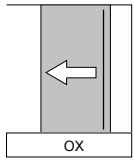
ALL DIMENSIONS IN THE CATALOG DRAWINGS ARE APPROXIMATIONS. REQUEST THE APPROPRIATE TECHNICAL DRAWING BEFORE DOOR PREPARATION AND INSTALLATION.

COMBINED NON LOCKING page K_Lock_223

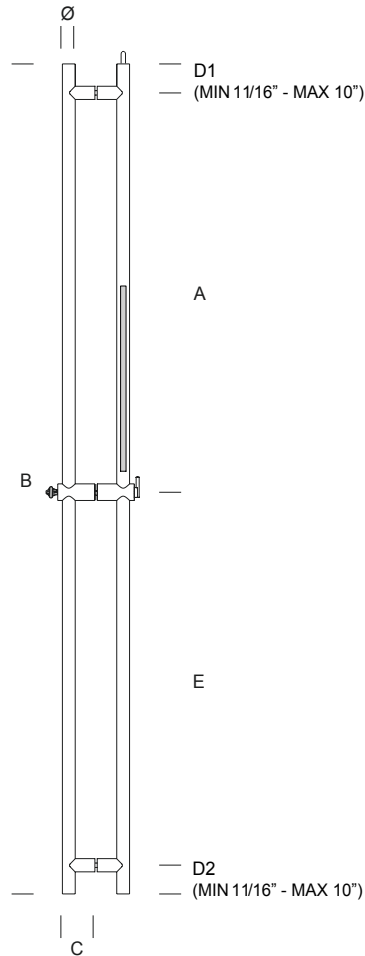
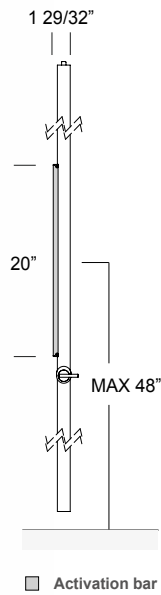
ITEM
KLA.0G4.000U
KLA.0G4.999U
KLA.0G4.0U72
KLA.0G4.0U84



LOCKING FULL SIZE



ADA
< 5 lbf

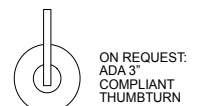


PAIR



PATENT
no. 11.519.199

CYLINDER NOT INCLUDED



ON REQUEST: CUSTOM STRIKE

PAIR
TOP LOCKING



ITEM	A	B	C	D1	D2	E	Ø
KLA.SS4.0U72. xx .1	custom	1828 mm 72"	85 mm 3 11/32"	custom	custom	custom	37 mm 1 29/64"
KLA.SS4.0U84. xx .1	custom	2133 mm 84"	85 mm 3 11/32"	custom	custom	custom	37 mm 1 29/64"
KLA.SS4.999U. xx .1	custom	custom	85 mm 3 11/32"	custom	custom	custom	37 mm 1 29/64"

The additional support is necessary for A > 1752,60 mm - 69"
Dimension (A + D1) MIN = 990,6 mm - 39"
Dimension (E + D2) MIN = 178 mm - 7". Dimension E MIN = 160 mm
Activation bar midpoint has to be at MAX 48" (1219,2 mm) above finish floor

BRAND OF COMPATIBLE RIM CYLINDER:
- ARROW - BEST
- CORBIN RUSSWIN - KABAILCO
- MEDECO - SARGENT
- SCHLAGE - YALE



.XX = FINISH CODE

SATIN ANODIZED ALUMINUM
.69 SILVER
.67 BRONZE
.68 BLACK

Custom anodized polished finish not available. Other custom finish feasibility to be validated before order

ACTIVATION BAR:
SILVER FOR BLACK PULL - BLACK FOR SILVER PULL - BLACK FOR BRONZE PULL
CAPS: Black Activation Bar - Black Caps; Silver Activation Bar - Polyamide-6 Grey Caps;
On request: Champagne Activation Bar - Polyamide-6 Grey Caps

EDGE COMPONENT:
BLACK FOR BLACK AND BRONZE PULL - GREY FOR SILVER PULL

Differences in the finishing of (different) components are due to the different production methods. These variations are not considered defects and are a natural result of the finishing process.



DOOR PREPARATION DP6
page K_Lock_251

SPACERS FOR DOUBLE GLAZED DOOR
KLA.KIT.99U4
page K_Lock_250

STRIKE DETAILS
page K_Lock_246 - page K_Lock_247

THESE PRODUCTS CONTRIBUTE TO LEED® CREDITS

THE MANUFACTURER RESERVES THE RIGHT TO ALTER, IMPROVE AND DISCONTINUE ANY FEATURES OF THE PRODUCT [MAKE CHANGES AND IMPROVEMENTS IN DESIGNS AND DIMENSIONS] WITHOUT NOTICE.

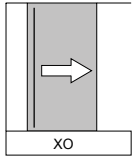
ALL DIMENSIONS IN THE CATALOG DRAWINGS ARE APPROXIMATIONS. REQUEST THE APPROPRIATE TECHNICAL DRAWING BEFORE DOOR PREPARATION AND INSTALLATION.

COMBINED NON LOCKING page K_Lock_223

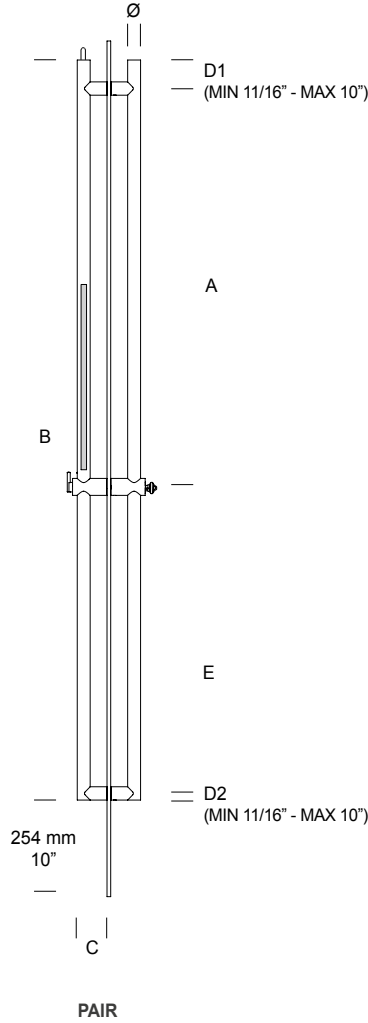
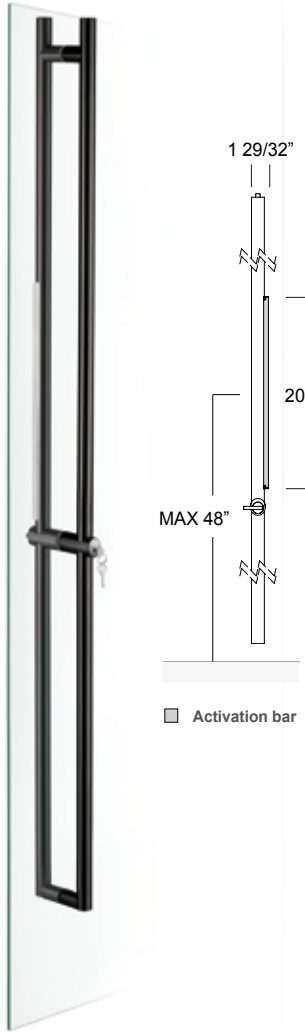
ITEM
KLA.0G4.000U
KLA.0G4.999U
KLA.0G4.0U72
KLA.0G4.0U84



LOCKING FULL SIZE



ADA
< 5 lbf



ADA
10" clearance
1 a y o u i

PATENT
no. 11,519,199

CYLINDER NOT INCLUDED



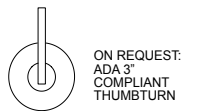
RIM CYLINDER WITH IC



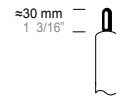
RIM CYLINDER



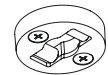
INCLUDED: ADA 1-9/16" COMPLIANT THUMBTURN



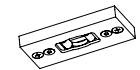
ON REQUEST: ADA 3" COMPLIANT THUMBTURN



INCLUDED: ADJUSTABLE STEEL DEAD BOLT



INCLUDED: STRIKE WITH ROLLERS



ON REQUEST: ADJUSTABLE TOP STRIKE WITH ROLLERS

ON REQUEST: CUSTOM STRIKE

PAIR



TOP LOCKING

ITEM	A	B	C	D1	D2	E	Ø
KLA.SS4.RU72. xx .2	custom	1828 mm 72"	85 mm 3 11/32"	custom	custom	custom	37 mm 1 29/64"
KLA.SS4.RU84. xx .2	custom	2133 mm 84"	85 mm 3 11/32"	custom	custom	custom	37 mm 1 29/64"
KLA.SS4.99RU. xx .2	custom	custom	85 mm 3 11/32"	custom	custom	custom	37 mm 1 29/64"

The additional support is necessary for A > 1752,60 mm - 69"
Dimension (A + D1) MIN = 990,6 mm - 39"
Dimension (E + D2) MIN = 178 mm - 7". Dimension E MIN = 160 mm
Activation bar midpoint has to be at MAX 48" (1219,2 mm) above finish floor

BRAND OF COMPATIBLE RIM CYLINDER:	
- ARROW	- BEST
- CORBIN RUSSWIN	- KABAILCO
- MEDECO	- SARGENT
- SCHLAGE	- YALE

Silver Bronze Black



.XX = FINISH CODE

SATIN ANODIZED ALUMINUM

- .69 SILVER
- .67 BRONZE
- .68 BLACK

Custom anodized polished finish not available. Other custom finish feasibility to be validated before order



DOOR PREPARATION DP6
page K_Lock_251

SPACERS FOR DOUBLE GLAZED DOOR
KLA.KIT.99U4
page K_Lock_250

STRIKE DETAILS
page K_Lock_246 - page K_Lock_247

THESE PRODUCTS CONTRIBUTE TO LEED® CREDITS

THE MANUFACTURER RESERVES THE RIGHT TO ALTER, IMPROVE AND DISCONTINUE ANY FEATURES OF THE PRODUCT [MAKE CHANGES AND IMPROVEMENTS IN DESIGNS AND DIMENSIONS] WITHOUT NOTICE.

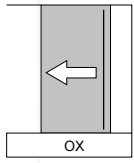
ALL DIMENSIONS IN THE CATALOG DRAWINGS ARE APPROXIMATIONS. REQUEST THE APPROPRIATE TECHNICAL DRAWING BEFORE DOOR PREPARATION AND INSTALLATION.

COMBINED NON LOCKING page K_Lock_224

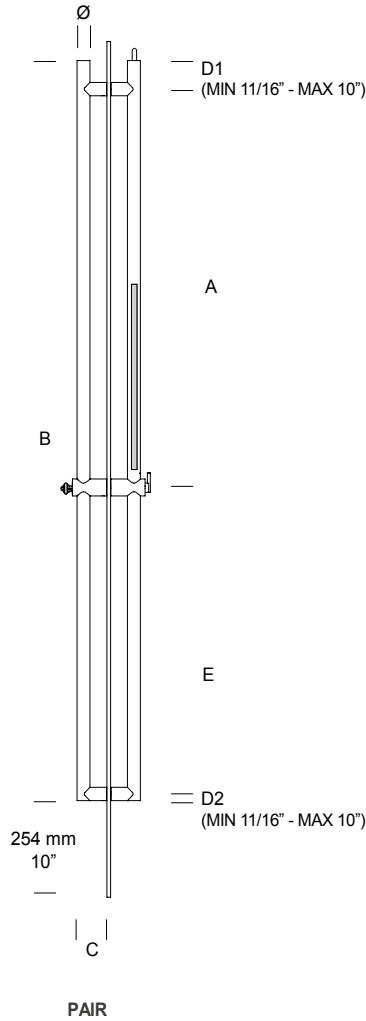
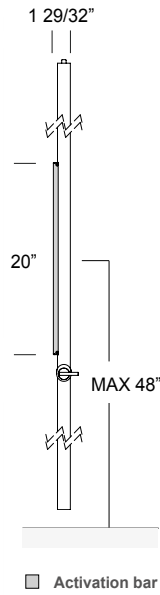
ITEM
KLA.0G4.00RU
KLA.0G4.99RU
KLA.0G4.RU72



LOCKING FULL SIZE



ADA
< 5 lbf



ADA
10"
clearance
layout

PATENT
no. 11,519,199

CYLINDER NOT INCLUDED



RIM CYLINDER WITH IC



RIM CYLINDER



INCLUDED:
ADA 1-9/16"
COMPLIANT
THUMBTURN



ON REQUEST:
ADA 3"
COMPLIANT
THUMBTURN

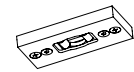
≈30 mm
1 3/16"



INCLUDED:
ADJUSTABLE
STEEL DEAD BOLT



INCLUDED:
STRIKE WITH
ROLLERS



ON REQUEST:
ADJUSTABLE TOP STRIKE
WITH ROLLERS

ON REQUEST:
CUSTOM STRIKE

PAIR

TOP
LOCKING



ITEM	A	B	C	D1	D2	E	Ø
KLA.SS4.RU72. xx .1	custom	1828 mm 72"	85 mm 3 11/32"	custom	custom	custom	37 mm 1 29/64"
KLA.SS4.RU84. xx .1	custom	2133 mm 84"	85 mm 3 11/32"	custom	custom	custom	37 mm 1 29/64"
KLA.SS4.99RU. xx .1	custom	custom	85 mm 3 11/32"	custom	custom	custom	37 mm 1 29/64"

The additional support is necessary for A > 1752,60 mm - 69"
Dimension (A + D1) MIN = 990,6 mm - 39"
Dimension (E + D2) MIN = 178 mm - 7". Dimension E MIN = 160 mm
Activation bar midpoint has to be at MAX 48" (1219,2 mm) above finish floor

Silver Bronze Black



XX = FINISH CODE

SATIN ANODIZED ALUMINUM

.69 SILVER
.67 BRONZE
.68 BLACK

Custom anodized polished finish not available. Other custom finish feasibility to be validated before order

ACTIVATION BAR:

SILVER FOR BLACK PULL - BLACK FOR SILVER PULL - BLACK FOR BRONZE PULL
CAPS: Black Activation Bar - Black Caps; Silver Activation Bar - Polyamide-6 Grey Caps;
On request: Champagne Activation Bar - Polyamide-6 Grey Caps

EDGE COMPONENT:

BLACK FOR BLACK AND BRONZE PULL - GREY FOR SILVER PULL

Differences in the finishing of (different) components are due to the different production methods.
These variations are not considered defects and are a natural result of the finishing process.



DOOR PREPARATION DP6
page K_Lock_251

SPACERS FOR DOUBLE GLAZED DOOR
KLA.KIT.99U4
page K_Lock_250

STRIKE DETAILS
page K_Lock_246 - page K_Lock_247

THESE PRODUCTS CONTRIBUTE TO LEED® CREDITS

THE MANUFACTURER RESERVES THE RIGHT TO ALTER, IMPROVE AND DISCONTINUE ANY FEATURES OF THE PRODUCT [MAKE CHANGES AND IMPROVEMENTS IN DESIGNS AND DIMENSIONS] WITHOUT NOTICE.

ALL DIMENSIONS IN THE CATALOG DRAWINGS ARE APPROXIMATIONS.
REQUEST THE APPROPRIATE TECHNICAL DRAWING BEFORE DOOR PREPARATION AND INSTALLATION.

BRAND OF COMPATIBLE RIM CYLINDER:

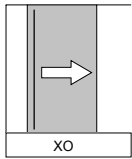
- ARROW
- CORBIN RUSSWIN
- MEDECO
- SCHLAGE
- BEST
- KABAILCO
- SARGENT
- YALE

COMBINED NON
LOCKING page K_Lock_224

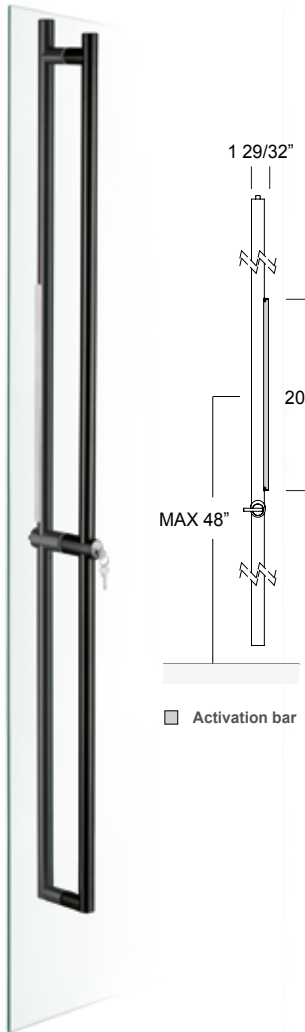
ITEM
KLA.0G4.00RU
KLA.0G4.99RU
KLA.0G4.RU72



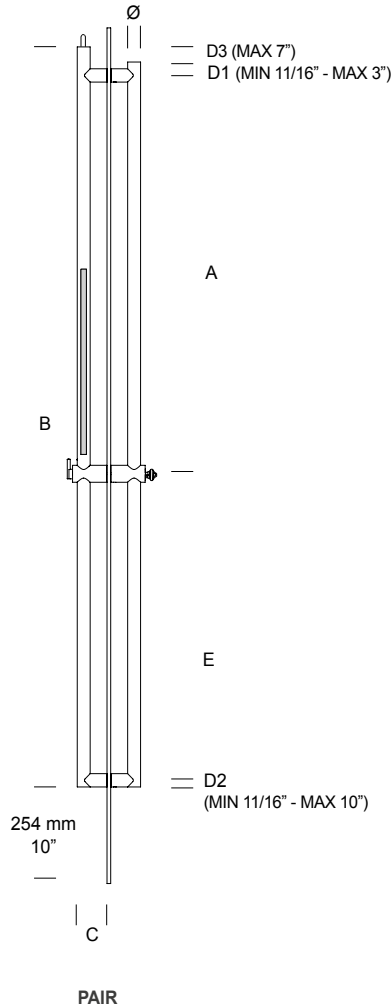
LOCKING FULL SIZE



ADA
< 5 lbf



Activation bar



ADA
10" clearance layout

PATENT
no. 11.519.199

CYLINDER NOT INCLUDED



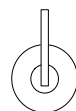
RIM CYLINDER WITH IC



RIM CYLINDER



INCLUDED: ADA 1.9/16" COMPLIANT THUMBTURN

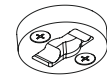


ON REQUEST: ADA 3" COMPLIANT THUMBTURN

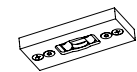
≈30 mm
1 3/16"



INCLUDED: ADJUSTABLE STEEL DEAD BOLT



INCLUDED: STRIKE WITH ROLLERS



ON REQUEST: ADJUSTABLE TOP STRIKE WITH ROLLERS

ON REQUEST: CUSTOM STRIKE

PAIR



TOP LOCKING

ITEM	A	B	C	D1	D2	D3	E	Ø
KLA.SS4.9ZU1. xx .2	custom	custom	85 mm 3 11/32"	custom	custom	custom	custom	37 mm 1 29/64"

The additional support is necessary for A > 1752,60 mm - 69"
Dimension (A + D1) MIN = 990,6 mm - 39"
Dimension (E + D2) MIN = 178 mm - 7". Dimension E MIN = 160 mm
Activation bar midpoint has to be at MAX 48" (1219,2 mm) above finish floor

Silver Bronze Black



.XX = FINISH CODE

SATIN ANODIZED ALUMINUM
.69 SILVER
.67 BRONZE
.68 BLACK

Custom anodized polished finish not available. Other custom finish feasibility to be validated before order



DOOR PREPARATION DP6
page K_Lock_251

SPACERS FOR DOUBLE GLAZED DOOR
KLA.KIT.99U4
page K_Lock_250

STRIKE DETAILS
page K_Lock_246 - page K_Lock_247

THESE PRODUCTS CONTRIBUTE TO LEED® CREDITS

THE MANUFACTURER RESERVES THE RIGHT TO ALTER, IMPROVE AND DISCONTINUE ANY FEATURES OF THE PRODUCT (MAKE CHANGES AND IMPROVEMENTS IN DESIGNS AND DIMENSIONS) WITHOUT NOTICE.

ALL DIMENSIONS IN THE CATALOG DRAWINGS ARE APPROXIMATIONS. REQUEST THE APPROPRIATE TECHNICAL DRAWING BEFORE DOOR PREPARATION AND INSTALLATION.

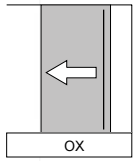
BRAND OF COMPATIBLE RIM CYLINDER:	
- ARROW	- BEST
- CORBIN RUSSWIN	- KABAILCO
- MEDECO	- SARGENT
- SCHLAGE	- YALE

COMBINED NON LOCKING
page K_Lock_225

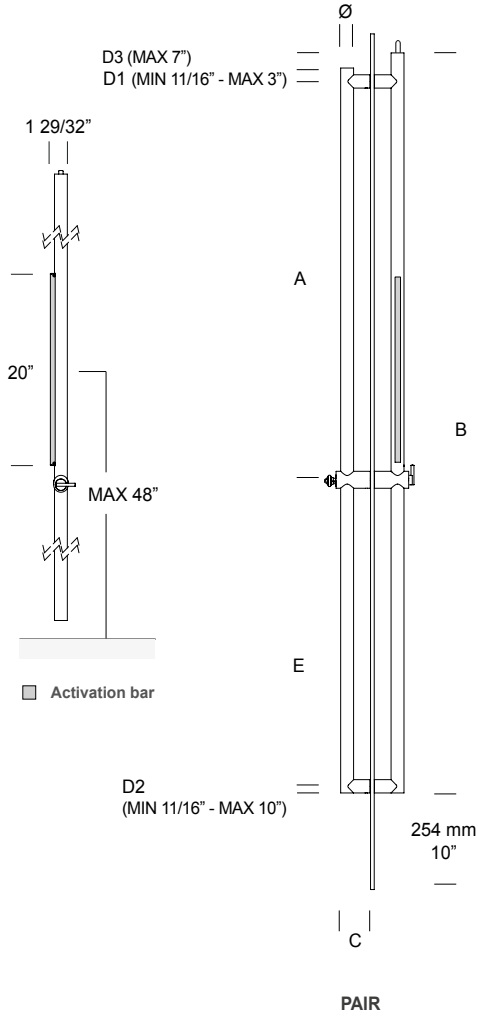
ITEM
KLA.0G4.99ZU



LOCKING FULL SIZE



ADA
< 5 lbf



CYLINDER NOT INCLUDED



ON REQUEST: CUSTOM STRIKE

PAIR
TOP LOCKING



ITEM	A	B	C	D1	D2	D3	E	Ø
KLA.SS4.9ZU1. xx .1	custom	custom	85 mm 3 11/32"	custom	custom	custom	custom	37 mm 1 29/64"
The additional support is necessary for A > 1752,60 mm - 69" Dimension (A + D1) MIN = 990,6 mm - 39" Dimension (E + D2) MIN = 178 mm - 7". Dimension E MIN = 160 mm Activation bar midpoint has to be at MAX 48" (1219,2 mm) above finish floor								

Silver Bronze Black



XX = FINISH CODE

SATIN ANODIZED ALUMINUM

- .69 SILVER
- .67 BRONZE
- .68 BLACK

Custom anodized polished finish not available. Other custom finish feasibility to be validated before order



ACTIVATION BAR:

SILVER FOR BLACK PULL - BLACK FOR BRONZE PULL
CAPS: Black Activation Bar - Black Caps; Silver Activation Bar - Polyamide-6 Grey Caps;
On request: Champagne Activation Bar - Polyamide-6 Grey Caps

EDGE COMPONENT:

BLACK FOR BLACK AND BRONZE PULL - GREY FOR SILVER PULL

Differences in the finishing of (different) components are due to the different production methods. These variations are not considered defects and are a natural result of the finishing process.

DOOR PREPARATION DP6
page K_Lock_251

SPACERS FOR DOUBLE GLAZED DOOR
KLA.KIT.99U4
page K_Lock_250

STRIKE DETAILS
page K_Lock_246 - page K_Lock_247

THESE PRODUCTS CONTRIBUTE TO LEED® CREDITS

THE MANUFACTURER RESERVES THE RIGHT TO ALTER, IMPROVE AND DISCONTINUE ANY FEATURES OF THE PRODUCT [MAKE CHANGES AND IMPROVEMENTS IN DESIGNS AND DIMENSIONS] WITHOUT NOTICE.

ALL DIMENSIONS IN THE CATALOG DRAWINGS ARE APPROXIMATIONS. REQUEST THE APPROPRIATE TECHNICAL DRAWING BEFORE DOOR PREPARATION AND INSTALLATION.

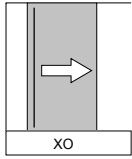
BRAND OF COMPATIBLE RIM CYLINDER:	
- ARROW	- BEST
- CORBIN RUSSWIN	- KABAILCO
- MEDECO	- SARGENT
- SCHLAGE	- YALE

COMBINED NON LOCKING page K_Lock_225

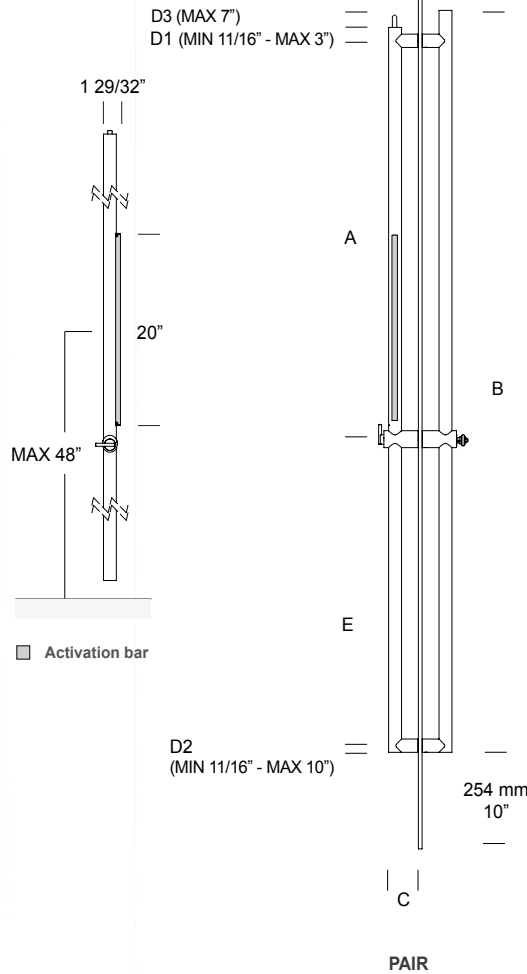
ITEM
KLA.0G4.99ZU



LOCKING FULL SIZE



ADA
< 5 lbf



ADA
10" clearance layout

PATENT
no. 11.519.199

CYLINDER NOT INCLUDED



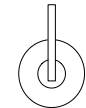
RIM CYLINDER WITH IC



RIM CYLINDER



INCLUDED: ADA 1-9/16" COMPLIANT THUMBTURN

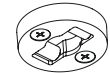


ON REQUEST: ADA 3" COMPLIANT THUMBTURN

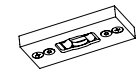
≈30 mm
1 3/16"



INCLUDED: ADJUSTABLE STEEL DEAD BOLT



INCLUDED: STRIKE WITH ROLLERS



ON REQUEST: ADJUSTABLE TOP STRIKE WITH ROLLERS

ON REQUEST: CUSTOM STRIKE

PAIR



TOP LOCKING

ITEM	A	B	C	D1	D2	D3	E	Ø
KLA.SS4.9ZU2. xx .2	custom	custom	85 mm 3 11/32"	custom	custom	custom	custom	37 mm 1 29/64"
The additional support is necessary for A > 1752,60 mm - 69" Dimension (A + D1) MIN = 990,6 mm - 39" Dimension (E + D2) MIN = 178 mm - 7". Dimension E MIN = 160 mm Activation bar midpoint has to be at MAX 48" (1219,2 mm) above finish floor								

Silver Bronze Black



.XX = FINISH CODE

SATIN ANODIZED ALUMINUM
.69 SILVER
.67 BRONZE
.68 BLACK

Custom anodized polished finish not available. Other custom finish feasibility to be validated before order



DOOR PREPARATION DP6
page K_Lock_251

SPACERS FOR DOUBLE GLAZED DOOR
KLA.KIT.99U4
page K_Lock_250

STRIKE DETAILS
page K_Lock_246 - page K_Lock_247

THESE PRODUCTS CONTRIBUTE TO LEED® CREDITS

THE MANUFACTURER RESERVES THE RIGHT TO ALTER, IMPROVE AND DISCONTINUE ANY FEATURES OF THE PRODUCT [MAKE CHANGES AND IMPROVEMENTS IN DESIGNS AND DIMENSIONS] WITHOUT NOTICE.

ALL DIMENSIONS IN THE CATALOG DRAWINGS ARE APPROXIMATIONS. REQUEST THE APPROPRIATE TECHNICAL DRAWING BEFORE DOOR PREPARATION AND INSTALLATION.

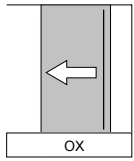
BRAND OF COMPATIBLE RIM CYLINDER:
- ARROW - BEST
- CORBIN RUSSWIN - KABAILCO
- MEDECO - SARGENT
- SCHLAGE - YALE

COMBINED NON LOCKING
page K_Lock_225

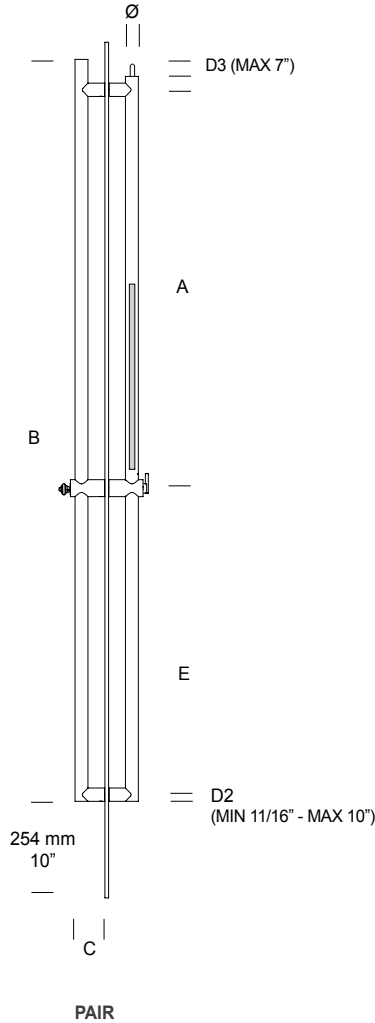
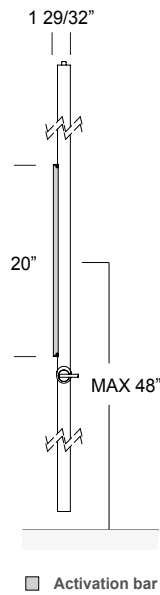
ITEM
KLA.0G4.99ZU



LOCKING FULL SIZE



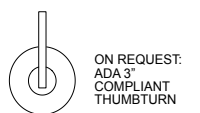
ADA
< 5 lbf



ADA
10"
clearance
layout

PATENT
no. 11,519,199

CYLINDER NOT INCLUDED



ON REQUEST:
CUSTOM STRIKE

PAIR
TOP
LOCKING



ITEM	A	B	C	D1	D2	D3	E	Ø
KLA.SS4.9ZU2. xx .1	custom	custom	85 mm 3 11/32"	custom	custom	custom	custom	37 mm 1 29/64"
The additional support is necessary for A > 1752,60 mm - 69"								
Dimension (A + D1) MIN = 990,6 mm - 39"								
Dimension (E + D2) MIN = 178 mm - 7". Dimension E MIN = 160 mm								
Activation bar midpoint has to be at MAX 48" (1219,2 mm) above finish floor								

Silver Bronze Black



.XX = FINISH CODE

SATIN ANODIZED ALUMINUM

- .69 SILVER
- .67 BRONZE
- .68 BLACK

Custom anodized polished finish not available. Other custom finish feasibility to be validated before order



ACTIVATION BAR:

SILVER FOR BLACK PULL - BLACK FOR BRONZE PULL
CAPS: Black Activation Bar - Black Caps; Silver Activation Bar - Polyamide-6 Grey Caps;
On request: Champagne Activation Bar - Polyamide-6 Grey Caps

EDGE COMPONENT:

BLACK FOR BLACK AND BRONZE PULL - GREY FOR SILVER PULL

Differences in the finishing of (different) components are due to the different production methods. These variations are not considered defects and are a natural result of the finishing process.

DOOR PREPARATION DP6
page K_Lock_251

SPACERS FOR DOUBLE GLAZED DOOR
KLA.KIT.99U4
page K_Lock_250

STRIKE DETAILS
page K_Lock_246 - page K_Lock_247

THESE PRODUCTS CONTRIBUTE TO LEED® CREDITS

THE MANUFACTURER RESERVES THE RIGHT TO ALTER, IMPROVE AND DISCONTINUE ANY FEATURES OF THE PRODUCT [MAKE CHANGES AND IMPROVEMENTS IN DESIGNS AND DIMENSIONS] WITHOUT NOTICE.

ALL DIMENSIONS IN THE CATALOG DRAWINGS ARE APPROXIMATIONS. REQUEST THE APPROPRIATE TECHNICAL DRAWING BEFORE DOOR PREPARATION AND INSTALLATION.

BRAND OF COMPATIBLE RIM CYLINDER:	
- ARROW	- BEST
- CORBIN RUSSWIN	- KABALCO
- MEDECO	- SARGENT
- SCHLAGE	- YALE

COMBINED NON
LOCKING page K_Lock_225

ITEM
KLA.0G4.99ZU



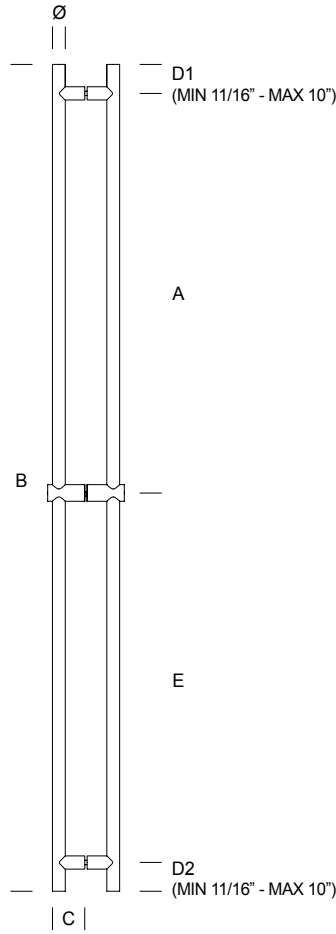
NON LOCKING LADDER PULL
FOR SWING AND SLIDING DOOR
ALUMINUM



NON LOCKING
FULL SIZE



BACK TO BACK FIXING KIT
ALWAYS INCLUDED
SUITABLE FOR GLASS /
WOOD / METAL DOOR



PAIR

PAIR	ITEM	A	B	C	D1	D2	E	Ø
	KLA.0G4.000U. xx	1050 mm 41 11/32"	2200 mm 86 5/8"	85 mm 3 11/32"	75 mm 2 15/16"	75 mm 2 15/16"	1000 mm 39 3/8"	37 mm 1 29/64"
	KLA.0G4.0U72. xx	custom	1828 mm 72"	85 mm 3 11/32"	custom	custom	custom	37 mm 1 29/64"
	KLA.0G4.0U84. xx	custom	2133 mm 84"	85 mm 3 11/32"	custom	custom	custom	37 mm 1 29/64"
	KLA.0G4.999U. xx	custom	custom	85 mm 3 11/32"	custom	custom	custom	37 mm 1 29/64"

Silver Bronze Black



.XX = FINISH CODE

SATIN ANODIZED ALUMINUM

- .69 SILVER
- .67 BRONZE
- .68 BLACK

Custom anodized polished finish not available. Other custom finish feasibility to be validated before order

EDGE COMPONENT:

BLACK FOR BLACK AND BRONZE PULL - GREY FOR SILVER PULL

Differences in the finishing of (different) components are due to the different production methods. These variations are not considered defects and are a natural result of the finishing process.



DOOR PREPARATION DP1
page K_Lock_252

SPACERS FOR DOUBLE GLAZED DOOR
KLA.KIT.99U4
page K_Lock_250

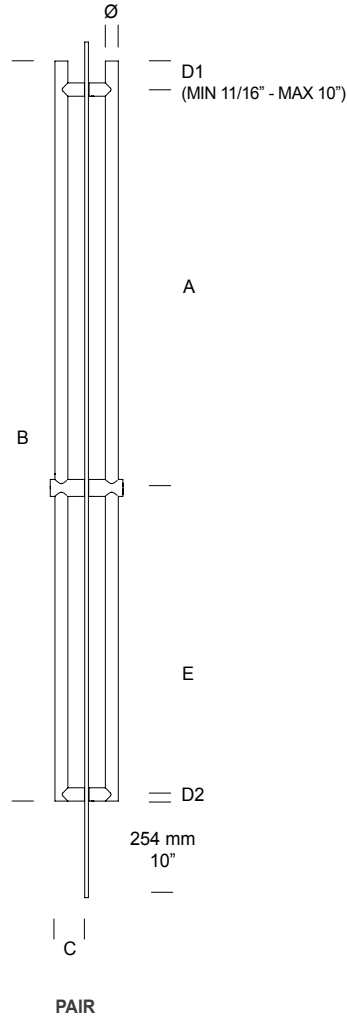
THESE PRODUCTS CONTRIBUTE TO LEED® CREDITS

THE MANUFACTURER RESERVES THE RIGHT TO ALTER, IMPROVE AND DISCONTINUE ANY FEATURES OF THE PRODUCT [MAKE CHANGES AND IMPROVEMENTS IN DESIGNS AND DIMENSIONS] WITHOUT NOTICE.

ALL DIMENSIONS IN THE CATALOG DRAWINGS ARE APPROXIMATIONS. REQUEST THE APPROPRIATE TECHNICAL DRAWING BEFORE DOOR PREPARATION AND INSTALLATION.

NON LOCKING TO MATCH PULL ON
page K_Lock_214
page K_Lock_215

NON LOCKING
FULL SIZE



BACK TO BACK FIXING KIT
ALWAYS INCLUDED
SUITABLE FOR GLASS /
WOOD / METAL DOOR

PAIR	ITEM	A	B	C	D1	D2	E	Ø
	KLA.0G4.00RU. xx	1050 mm 41 11/32"	1945 mm 76 9/16"	85 mm 3 11/32"	75 mm 2 15/16"	17,5 mm 11/16"	802 mm 31 9/16"	37 mm 1 29/64"
	KLA.0G4.RU72. xx	custom	1828 mm 72"	85 mm 3 11/32"	custom	17,5 mm 11/16"	custom	37 mm 1 29/64"
	KLA.0G4.99RU. xx	custom	custom	85 mm 3 11/32"	custom	17,5 mm 11/16"	custom	37 mm 1 29/64"

Silver Bronze Black



.XX = FINISH CODE

SATIN ANODIZED ALUMINUM

- .69 SILVER
- .67 BRONZE
- .68 BLACK

Custom anodized polished finish not available. Other custom finish feasibility to be validated before order

EDGE COMPONENT:

BLACK FOR BLACK AND BRONZE PULL - GREY FOR SILVER PULL

Differences in the finishing of (different) components are due to the different production methods. These variations are not considered defects and are a natural result of the finishing process.



DOOR PREPARATION DP1
page K_Lock_252

SPACERS FOR DOUBLE GLAZED DOOR
KLA.KIT.99U4
page K_Lock_250

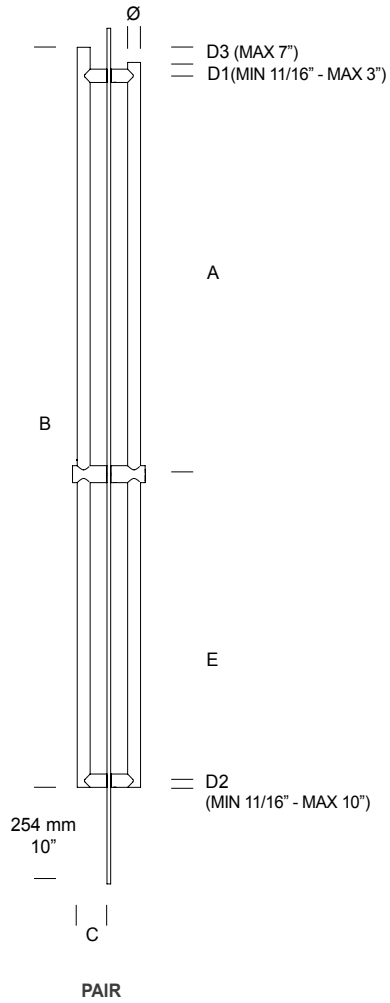
NON LOCKING TO MATCH PULL ON
page K_Lock_206
page K_Lock_210
page K_Lock_216
page K_Lock_217

THESE PRODUCTS CONTRIBUTE TO LEED® CREDITS

THE MANUFACTURER RESERVES THE RIGHT TO ALTER, IMPROVE AND DISCONTINUE ANY FEATURES OF THE PRODUCT [MAKE CHANGES AND IMPROVEMENTS IN DESIGNS AND DIMENSIONS] WITHOUT NOTICE.

ALL DIMENSIONS IN THE CATALOG DRAWINGS ARE APPROXIMATIONS. REQUEST THE APPROPRIATE TECHNICAL DRAWING BEFORE DOOR PREPARATION AND INSTALLATION.

NON LOCKING
FULL SIZE



BACK TO BACK FIXING KIT
ALWAYS INCLUDED
SUITABLE FOR GLASS /
WOOD / METAL DOOR

ITEM	A	B	C	D1	D2	D3	E	Ø
PAIR KLA.0G4.99ZU. xx	custom	custom	85 mm 3 11/32"	custom	custom	custom	custom	37 mm 1 29/64"

Silver Bronze Black



.XX = FINISH CODE

SATIN ANODIZED ALUMINUM

- .69 SILVER
- .67 BRONZE
- .68 BLACK

Custom anodized polished finish not available. Other custom finish feasibility to be validated before order

EDGE COMPONENT:

BLACK FOR BLACK AND BRONZE PULL - GREY FOR SILVER PULL

Differences in the finishing of (different) components are due to the different production methods. These variations are not considered defects and are a natural result of the finishing process.



DOOR PREPARATION DP1
page K_Lock_252

SPACERS FOR DOUBLE GLAZED DOOR
KLA.KIT.99U4
page K_Lock_250

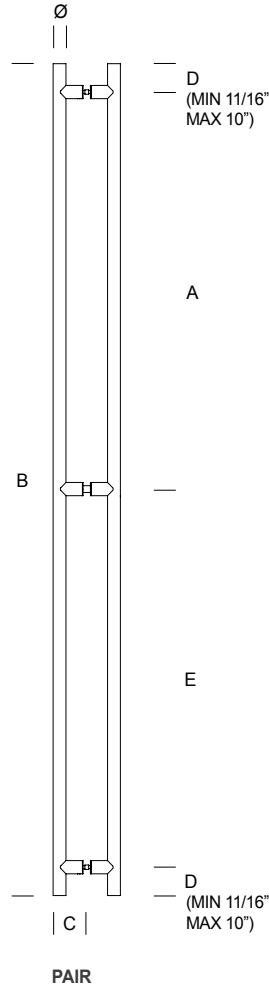
THESE PRODUCTS CONTRIBUTE TO LEED® CREDITS

THE MANUFACTURER RESERVES THE RIGHT TO ALTER, IMPROVE AND DISCONTINUE ANY FEATURES OF THE PRODUCT [MAKE CHANGES AND IMPROVEMENTS IN DESIGNS AND DIMENSIONS] WITHOUT NOTICE.

ALL DIMENSIONS IN THE CATALOG DRAWINGS ARE APPROXIMATIONS. REQUEST THE APPROPRIATE TECHNICAL DRAWING BEFORE DOOR PREPARATION AND INSTALLATION.

NON LOCKING TO MATCH PULL ON
page K_Lock_207
page K_Lock_211
page K_Lock_218
page K_Lock_219
page K_Lock_220
page K_Lock_221

UNIVERSAL
NON LOCKING
FULL SIZE



PAIR	ITEM	A	B	C	D	E	Ø
	KLA.0G4.0000. xx	1050 mm 41 11/32"	2200 mm 86 5/8"	85 mm 3 11/32"	75 mm 2 15/16"	1000 mm 39 3/8"	37 mm 1 29/64"
	KLA.0G4.0072. xx	custom	1828 mm 72"	85 mm 3 11/32"	custom	custom	37 mm 1 29/64"
	KLA.0G4.0084. xx	custom	2133 mm 84"	85 mm 3 11/32"	custom	custom	37 mm 1 29/64"
	KLA.0G4.9999. xx	custom	custom	85 mm 3 11/32"	custom	custom	37 mm 1 29/64"

Silver Bronze Black



.XX = FINISH CODE

SATIN ANODIZED ALUMINUM

- .69 SILVER
- .67 BRONZE
- .68 BLACK

Custom anodized polished finish not available. Other custom finish feasibility to be validated before order

EDGE COMPONENT:

BLACK FOR BLACK AND BRONZE PULL - GREY FOR SILVER PULL

Differences in the finishing of (different) components are due to the different production methods. These variations are not considered defects and are a natural result of the finishing process.



DOOR PREPARATION DP4
(UNIVERSAL NO LOCKING FULL SIZE)
page K_Lock_253

SPACERS FOR DOUBLE GLAZED DOOR
2AT.KIT.9910 (UNIVERSAL NO LOCKING FULL SIZE)
page K_Lock_250

BACK TO BACK FIXING KIT ALWAYS INCLUDED
SUITABLE FOR GLASS / WOOD / METAL DOOR

THESE PRODUCTS CONTRIBUTE TO LEED® CREDITS

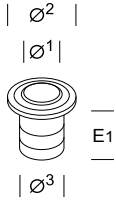
THE MANUFACTURER RESERVES THE RIGHT TO ALTER, IMPROVE AND DISCONTINUE ANY FEATURES OF THE PRODUCT [MAKE CHANGES AND IMPROVEMENTS IN DESIGNS AND DIMENSIONS] WITHOUT NOTICE.

ALL DIMENSIONS IN THE CATALOG DRAWINGS ARE APPROXIMATIONS. REQUEST THE APPROPRIATE TECHNICAL DRAWING BEFORE DOOR PREPARATION AND INSTALLATION.

TECHNICAL INFORMATION

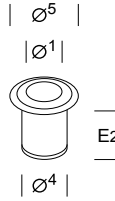
LOCKING LADDER PULLS

DUST-FREE FLOOR SOCKET POZZETTO ANTIPOLVERE



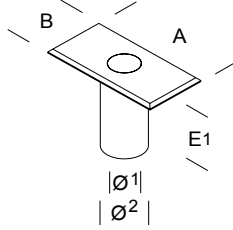
Nickel-plated brass
Ottone nichelato

KLO.OSK.0000.00



Stainless Steel
Acciaio Inox

KLO.SKI.0000. xx

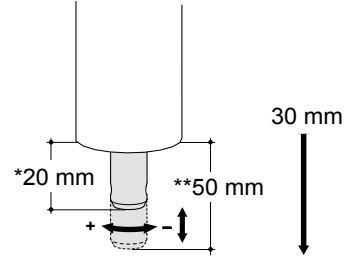


Stainless Steel
Acciaio Inox

KLP.SKI.0000. xx

ADJUSTABLE STEEL DEAD BOLT PUNTALE DI CHIUSURA REGOLABILE

STANDARD EXTENSION* 20 mm 25/32"
ADDITIONAL EXTENSION 30 mm 1 3/16"
MAXIMUM EXTENSION** 50 mm 1 31/32"



Ø¹	Ø²	Ø³	Ø⁴	Ø⁵	E1	E2
14 mm 9/16"	24 mm 15/16"	18 mm 45/64"	20 mm 25/32"	35 mm 1 3/8"	29 mm 1 9/64"	40 mm 1 9/16"

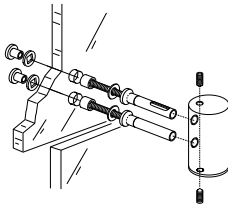
Ø¹	Ø²	A	B	E1
14 mm 9/16"	20 mm 25/32"	60 mm 2 3/8"	30 mm 1 3/16"	41 mm 1 39/64"

FOR TOP LOCKING PULLS PER MANIGLIONI CON CHIUSURA IN ALTO

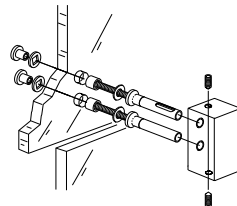
STRIKER INCONTRO SUPERIORE



KLO.SBR.000T. xx

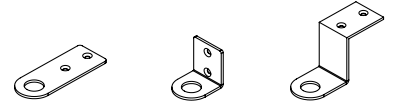


KLO.0BR.0000. xx



KLO.QBR.0000. xx

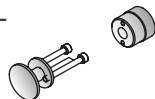
CUSTOM STRIKES INCONTRI SUPERIORI SPECIALI



CYLINDER AND DOOR KNOB DUMMY FOR CONVERSION LOCKING TO NON LOCKING LADDER PULL CILINDRO E POMOLO DUMMY PER CONVERSIONE DA MANIGLIONE CON SERRATURA A MANIGLIONE SENZA SERRATURA

PROGRAMMA K-LOCK STAINLESS STEEL

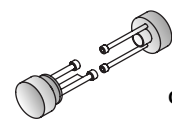
CYLINDER AND DOOR KNOB DUMMY
CILINDRO E POMOLO DUMMY



CIL.RIM.003D. ..

PROGRAMMA K-LOCK ALUMINUM

CYLINDER AND DOOR KNOB DUMMY
CILINDRO E POMOLO DUMMY

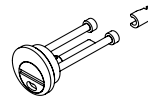


CIL.RIM.005D. ..

OCCUPANCY INDICATOR UNIVERSAL KIT FOR K-LOCK WITH RIM CYLINDER IN STAINLESS STEEL AND ALUMINUM

KIT LIBERO/OCCUPATO UNIVERSALE
PER K-LOCK USA RIM ACCIAIO INOX E ALLUMINIO

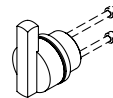
CIL.RIM.0002. xx



KIT TO CONVERT FUNCTION NON LOCKING TO LOCKING FOR ALUMINUM K-LOCK RIM CYLINDER WITH PREINSTALLED DUMMY KIT

KIT TRANSIZIONE DA NON LOCKING A LOCKING
PER K-LOCK USA RIM ALLUMINIO CON KIT DUMMY PRE-INSTALLATO

CIL.RIM.0003. xx



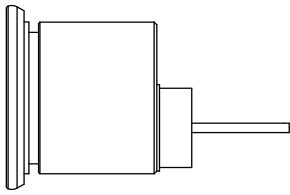
KIT TO CONVERT FUNCTION NON LOCKING TO LOCKING FOR STAINLESS STEEL K-LOCK RIM CYLINDER WITH PREINSTALLED DUMMY KIT

KIT TRANSIZIONE DA NON LOCKING A LOCKING
PER K-LOCK USA RIM ACCIAIO INOX CON KIT DUMMY PRE-INSTALLATO

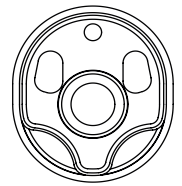
CIL.RIM.0004. xx



RIM CYLINDERS - FOR STAINLESS STEEL AND ALUMINUM LOCKING LADDER PULLS



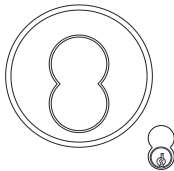
PBA UNIVERSAL BACKPLATE INCLUDED WITH LOCKING PULL
 ALLOWS TO ACCOMMODATE ANY RIM CYLINDER BRAND OR FORMAT



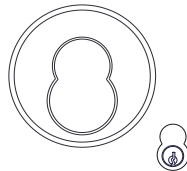
AVAILABLE FORMATS:



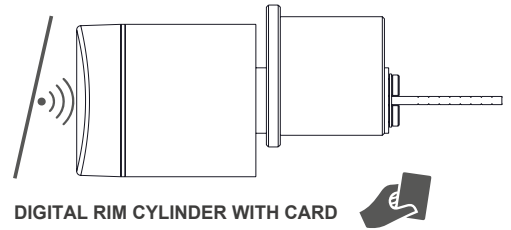
CONVENTIONAL



HOUSING FOR SFIC



HOUSING FOR LFIC



DIGITAL RIM CYLINDER WITH CARD

CONVENTIONAL RIM CYLINDER

CIL.RIM.0001.00
 ILCO RIM CYLINDER



OTHER BRANDS AVAILABLE ON REQUEST:
 ARROW - CORBIN RUSSWIN - KABA - MEDECO - SCHLAGE - SARGENT - YALE

HOUSING FOR SFIC

CIL.HOU.RS01.00
 SCHLAGE SFIC RIM HOUSING



OTHER BRANDS AVAILABLE ON REQUEST:
 ARROW - CORBIN RUSSWIN - KABA - ILCO - MEDECO - SARGENT - YALE

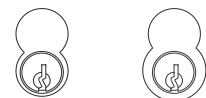
HOUSING FOR LFIC

CIL.HOU.RL01.00
 SCHLAGE FSIC RIM HOUSING



OTHER BRANDS AVAILABLE ON REQUEST:
 ARROW - CORBIN RUSSWIN - KABA - ILCO - MEDECO - SARGENT - YALE

CORE FOR SFIC HOUSING AND FSIC HOUSING



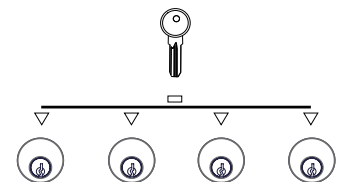
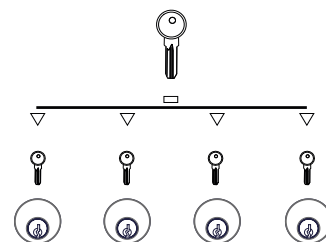
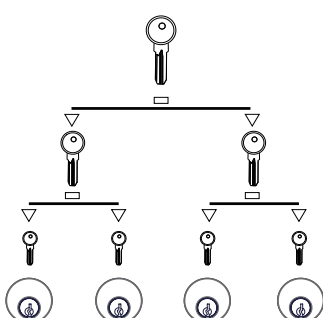
BRAND OF COMPATIBLE CORE FOR SFIC AND LFIC ON REQUEST:
 ARROW - CORBIN RUSSWIN - KABA - ILCO - MEDECO - SCHLAGE - SARGENT - YALE

DIGITAL RIM CYLINDER WITH CARD



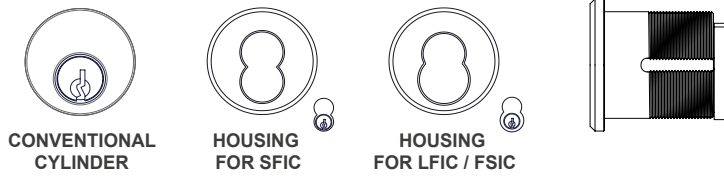
SUGGESTED BRAND:
 SALTO Neo - SALTO Geo

SPECIAL APPLICATION WITH KEY SYSTEM ON REQUEST

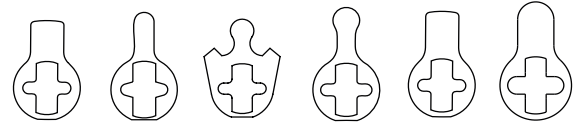


MORTISE CYLINDERS - FOR STAINLESS STEEL AND ALUMINUM LOCKING LADDER PULLS KEYSIDE BOLT

AVAILABLE FORMATS:



PBA LOCKING LADDER PULLS KEYSIDE BOLT WITH MORTISE CYLINDER CAN WORK WITH EVERY BRAND OR MODEL AND THE MOST COMMON MORTISE CAMS.



MORTISE CONVENTIONAL CYLINDER

CIL.MOR.0001.00

MORTISE CONVENTIONAL CYLINDER BATON L=15/16" WITH YA CAM

OTHER BRANDS AVAILABLE ON REQUEST:

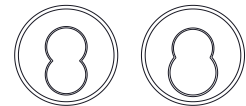
ARROW - CORBIN RUSSWIN - KABA - ILCO - MEDECO - SCHLAGE - SARGENT - YALE



MORTISE HOUSING FOR IC

AVAILABLE ON REQUEST MORTISE HOUSINGS FOR SFIC - LFIC / FSIC OF THE FOLLOWING BRANDS:

ARROW - CORBIN RUSSWIN - KABA - ILCO - MEDECO - SCHLAGE - SARGENT - YALE



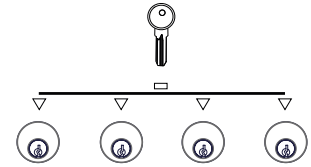
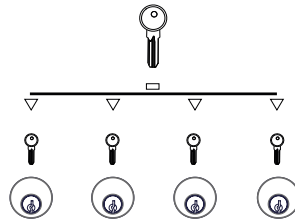
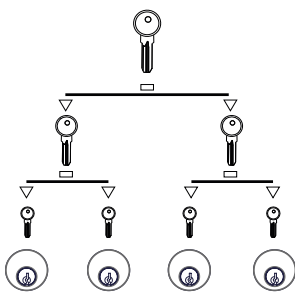
CORE FOR SFIC HOUSING AND LFIC / FSIC HOUSING

AVAILABLE ON REQUEST SFIC - LFIC / FSIC CORES OF THE FOLLOWING BRANDS:

ARROW - CORBIN RUSSWIN - KABA - ILCO - MEDECO - SCHLAGE - SARGENT - YALE



SPECIAL APPLICATION WITH KEY SYSTEM ON REQUEST



CYLINDER FOR ITEM KLO.V03.xxxx



KLO.00V.0CIL. xx

Standard
Standard



Coded key / Master key
Copia chiave / Chiave master

KLO.00K.0000. xx
KLO.00Y.000K. xx
KLO.00V.000K. xx

DIGITAL CYLINDER FOR ART. KLD.Y01.0000 - KLD.Y02.0000



digital cylinder inside



product
design
award
2011

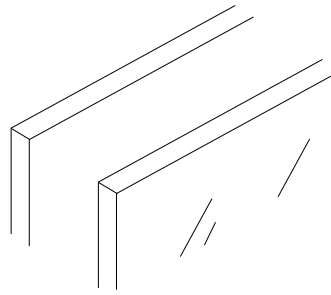
TECHNICAL SPECIFICATION

- ANTI-DRILLING PROTECTION
- SPLASH PROTECTION IP55
- CORROSION
DIN EN 1670 Grade 3
- DURABILITY
EN 1303 Grade 6
>130,000 cycles
- POWER SUPPLY:
3V, Type CR2 Lithium
- BATTERY LIFE
Whitelist appr.
50,000 cycles with acoustic signal
Whitelist appr.
65,000 cycles without acoustic signal

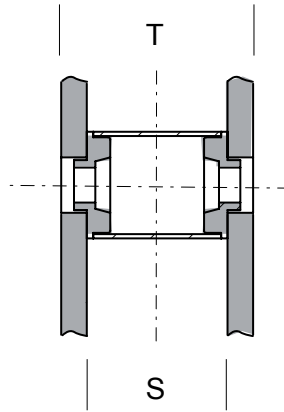
CARATTERISTICHE TECNICHE

- PROTEZIONE ANTITRAPANO
- CLASSE DI PROTEZIONE
IP 55 (esterno)
- CORROSIONE
DIN EN 1670 Classe 3
- CICLI OPERATIVI
EN 1303 Classe 6
>130'000 cicli
- ALIMENTAZIONE:
Batteria 3V, CR2 al litio
- CICLO DI VITA DELLE BATTERIE
Whitelist:
50'000 cicli con segnalazione acustica
65'000 cicli senza segnalazione acustica

SPACERS FOR DOUBLE GLAZED DOOR



Double glazed doors

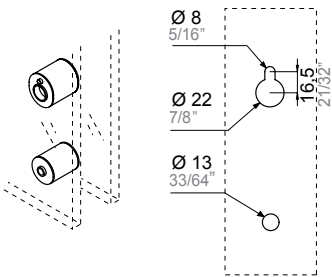


T = custom
S = custom

OVAL + ROUND SPACERS

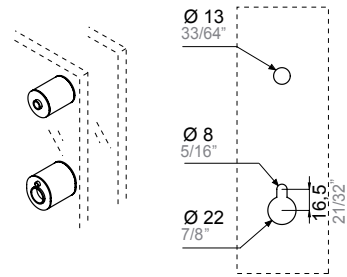
KLO LINE RIM - SPACERS FOR STAINLESS STEEL Ø35 LOCKING AND NON LOCKING PULLS

1 OVAL POST (UP) +
1 Ø35 ROUND POST (BOTTOM)



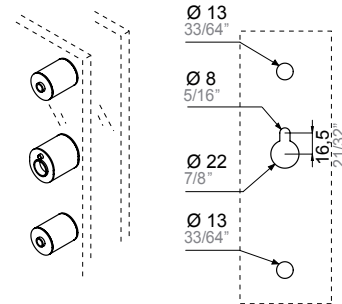
ITEM
KLO.KIT.99U2

1 OVAL POST (BOTTOM) +
1 Ø35 ROUND POST (TOP)



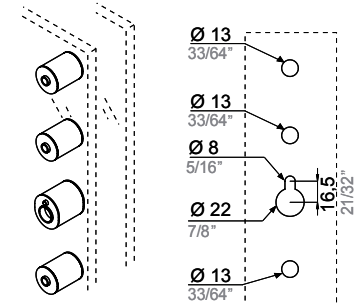
ITEM
KLO.KIT.9RU2

1 OVAL POST (CENTER) +
2 Ø35 ROUND POSTS (TOP/BOTTOM)



ITEM
KLO.KIT.99U4

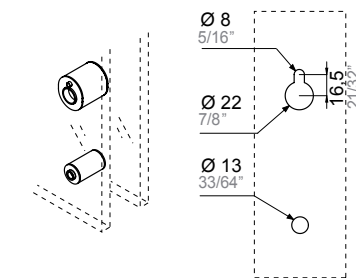
1 OVAL POST +
3 Ø35 ROUND POSTS



ITEM
KLO.KIT.99U6

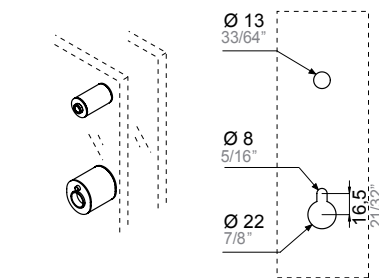
KLR LINE RIM - SPACERS FOR STAINLESS STEEL Ø25 LOCKING AND NON LOCKING PULLS

1 OVAL POST (UP) +
1 Ø25 ROUND POST (BOTTOM)



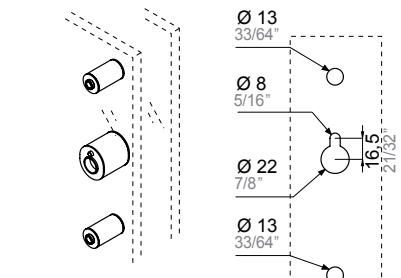
ITEM
KLR.KIT.99U2

1 OVAL POST (BOTTOM) +
1 Ø25 ROUND POST (TOP)



ITEM
KLR.KIT.9RU2

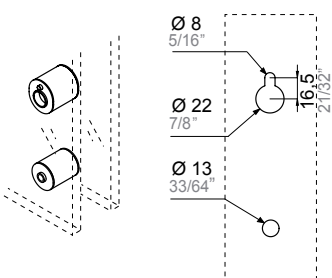
1 OVAL POST (CENTER) +
2 Ø25 ROUND POSTS (TOP/BOTTOM)



ITEM
KLR.KIT.99U4

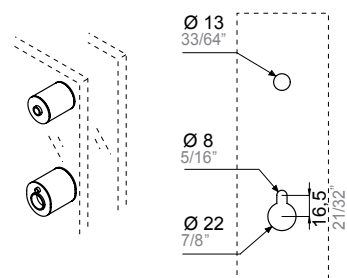
KLA LINE RIM - SPACERS FOR ALUMINUM Ø37 LOCKING AND NON LOCKING PULLS

1 OVAL POST (UP) +
1 Ø35 ROUND POST (BOTTOM)



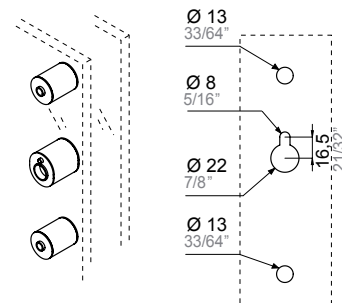
ITEM
KLA.KIT.99U2

1 OVAL POST (BOTTOM) +
1 Ø35 ROUND POST (TOP)



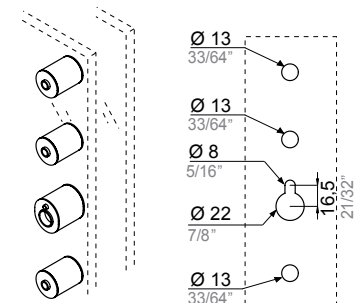
ITEM
KLA.KIT.9RU2

1 OVAL POST (CENTER) +
2 Ø35 ROUND POSTS (TOP/BOTTOM)



ITEM
KLA.KIT.99U4

1 OVAL POST +
3 Ø35 ROUND POSTS

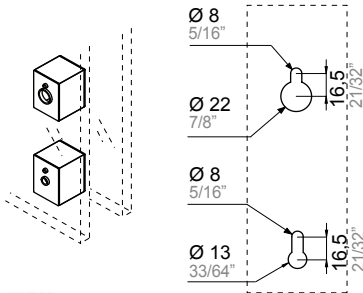


ITEM
KLA.KIT.99U6

RECTANGULAR SPACERS

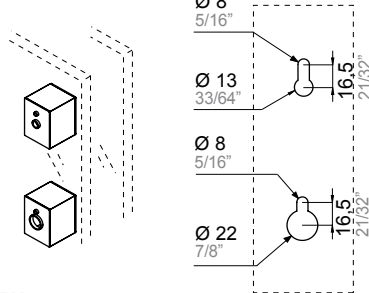
KLP LINE RIM - SPACERS FOR STAINLESS STEEL RECTANGULAR PROFILE LOCKING AND NON LOCKING PULLS

1 POST LARGE HOLE (UP) + 1 POST SMALL HOLE (BOTTOM)



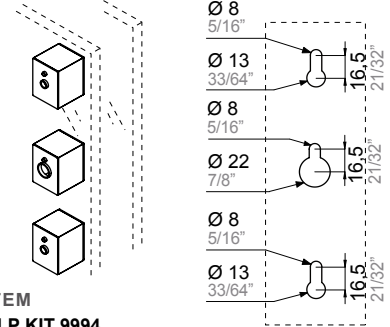
ITEM
KLP.KIT.9992

1 POST LARGE HOLE (BOTTOM) + 1 POST SMALL HOLE (TOP)



ITEM
KLP.KIT.99R2

1 POST LARGE HOLE (CENTER) + 2 POSTS SMALL HOLE (TOP/BOTTOM)

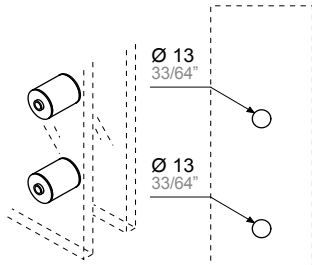


ITEM
KLP.KIT.9994

ROUND SPACERS

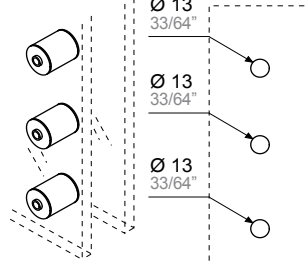
2CC LINE - SPACERS FOR STAINLESS STEEL NON LOCKING PULLS

2 ROUND POSTS



ITEM	Ø
2CC.KIT.0005	25 mm
2CC.KIT.0007	30 mm
2CC.KIT.0009	35 mm

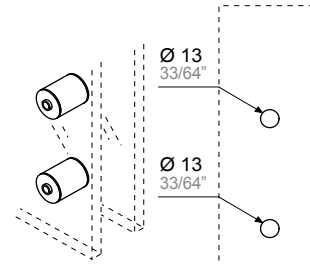
3 ROUND POSTS



ITEM	Ø
2CC.KIT.0006	25 mm
2CC.KIT.0008	30 mm
2CC.KIT.0010	35 mm

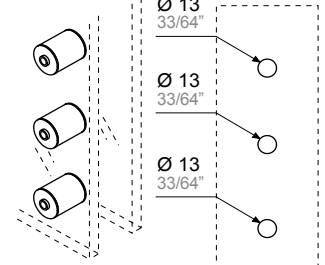
2AT LINE - SPACERS FOR ALUMINUM NON LOCKING PULLS

2 ROUND POSTS



ITEM	Ø
2AT.KIT.9905	25 mm
2AT.KIT.9907	30 mm
2AT.KIT.9909	35 mm

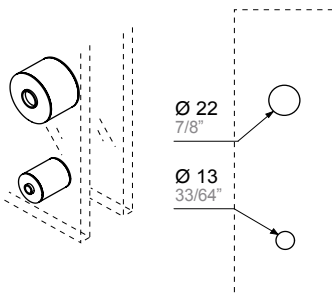
3 ROUND POSTS



ITEM	Ø
2AT.KIT.9906	25 mm
2AT.KIT.9908	30 mm
2AT.KIT.9910	35 mm

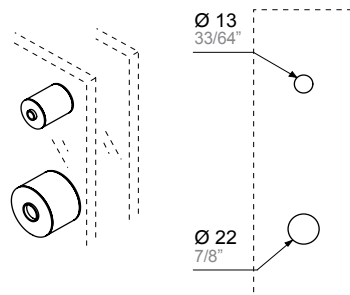
KLO LINE MORTISE - SPACERS FOR STAINLESS STEEL Ø35 LOCKING AND NON LOCKING PULLS (Ø60 CENTRAL POST)

1 Ø60 POST (UP) + 1 Ø35 POST (BOTTOM)



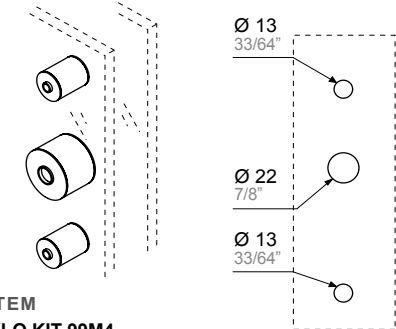
ITEM
KLO.KIT.99M2

1 Ø60 POST (BOTTOM) + 1 Ø35 POST (TOP)



ITEM
KLO.KIT.99RM2

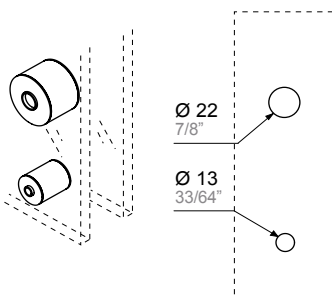
1 Ø60 POST (CENTER) + 2 Ø35 ROUND POSTS (TOP/BOTTOM)



ITEM
KLO.KIT.99M4

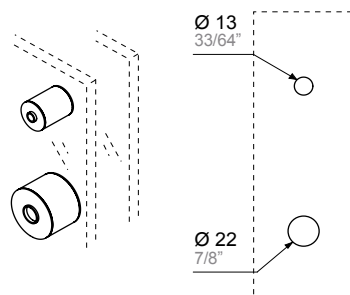
KLA LINE MORTISE - SPACERS FOR ALUMINUM Ø37 LOCKING AND NON LOCKING PULLS (Ø60 CENTRAL POST)

1 Ø60 POST (UP) + 1 Ø35 POST (BOTTOM)



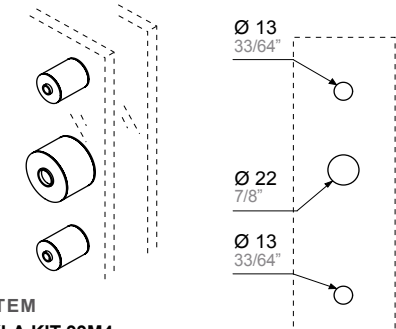
ITEM
KLA.KIT.99M2

1 Ø60 POST (BOTTOM) + 1 Ø35 POST (TOP)



ITEM
KLA.KIT.99RM2

1 Ø60 POST (CENTER) + 2 Ø35 ROUND POSTS (TOP/BOTTOM)

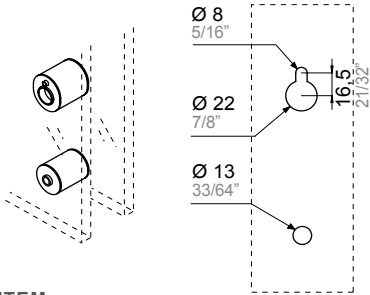


ITEM
KLA.KIT.99M4

OVAL + ROUND SPACERS

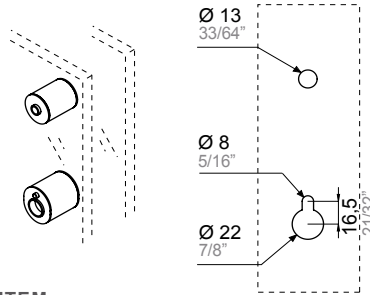
KLU LINE RIM - SPACERS FOR COPPER Ø37 LOCKING AND NON LOCKING PULLS

1 OVAL POST (UP) + 1 Ø37 ROUND POST (BOTTOM)



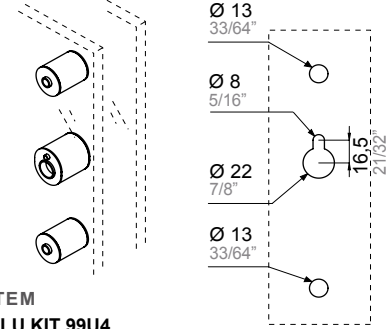
ITEM
KLU.KIT.99U2

1 OVAL POST (BOTTOM) + 1 Ø37 ROUND POST (TOP)



ITEM
KLU.KIT.9RU2

1 OVAL POST (CENTER) + 2 Ø37 ROUND POSTS (TOP/BOTTOM)

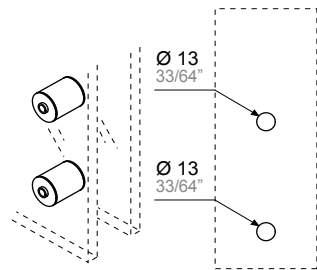


ITEM
KLU.KIT.99U4

ROUND SPACERS

KLU LINE - SPACERS FOR COPPER NON LOCKING PULLS

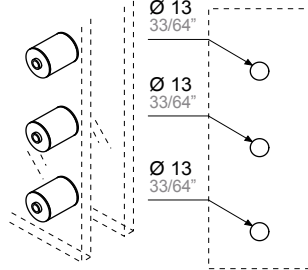
2 ROUND POSTS



ITEM
KLU.KIT.99G2

Ø
37 mm

3 ROUND POSTS



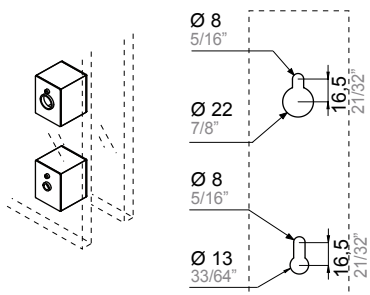
ITEM
KLU.KIT.99G4

Ø
37 mm

RECTANGULAR SPACERS

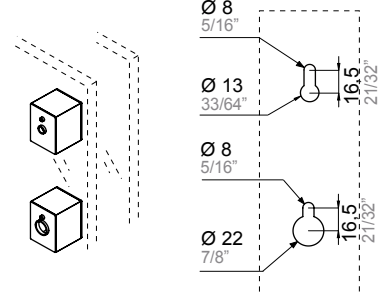
KLO LINE RIM - SPACERS FOR STAINLESS STEEL SQUARE PROFILE LOCKING AND NON LOCKING PULLS

1 POST LARGE HOLE (UP) + 1 POST SMALL HOLE (BOTTOM)



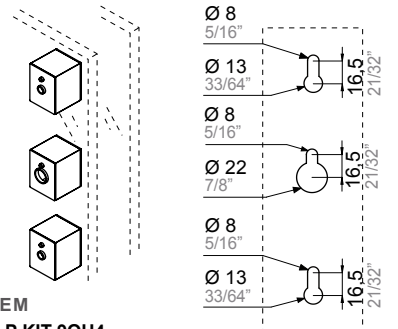
ITEM
KLO.KIT.9QU2

1 POST LARGE HOLE (BOTTOM) + 1 POST SMALL HOLE (TOP)



ITEM
KLO.KIT.9QU2

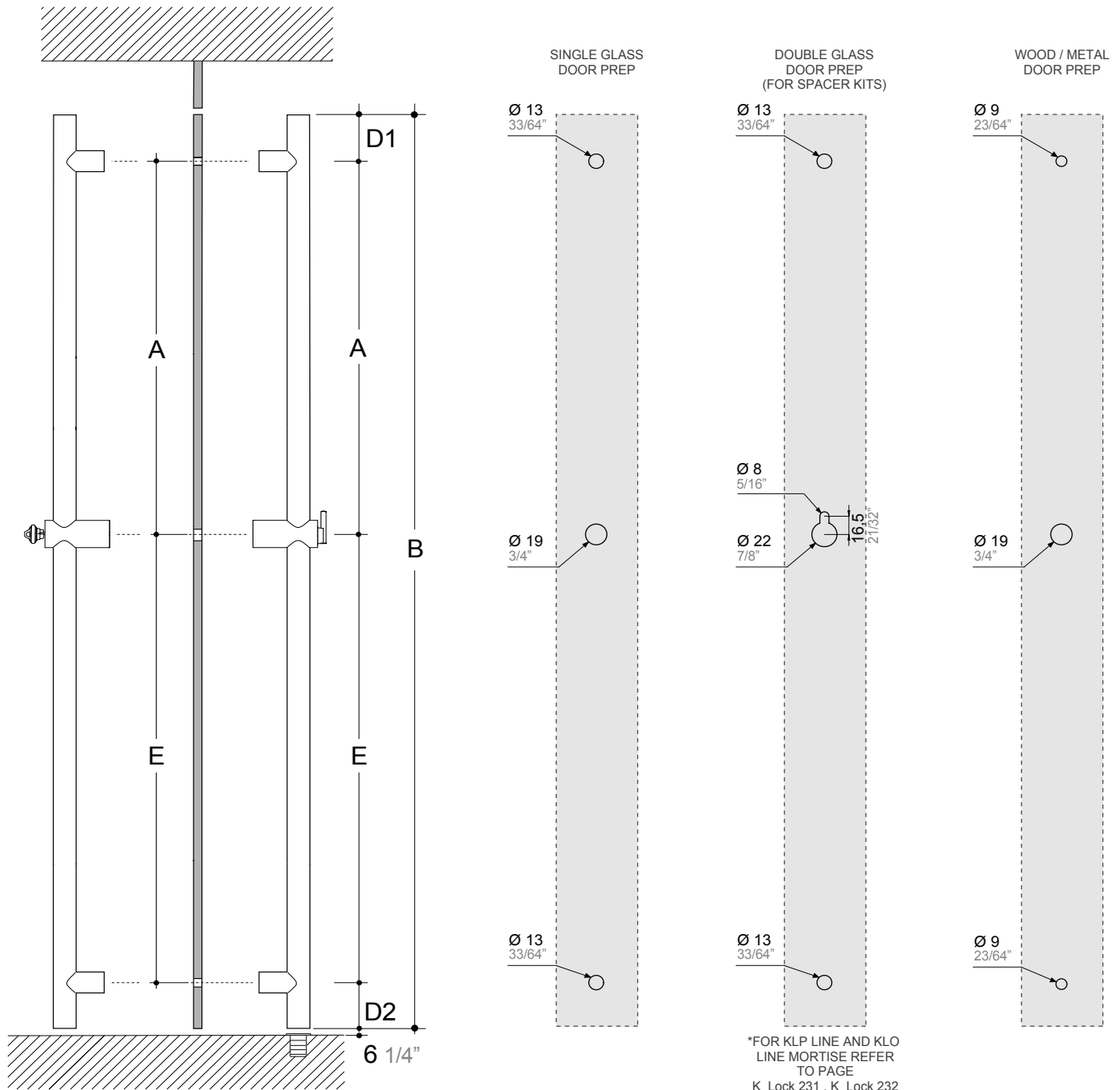
1 POST LARGE HOLE (CENTER) + 2 POSTS SMALL HOLE (TOP/BOTTOM)



ITEM
KLP.KIT.9QU4

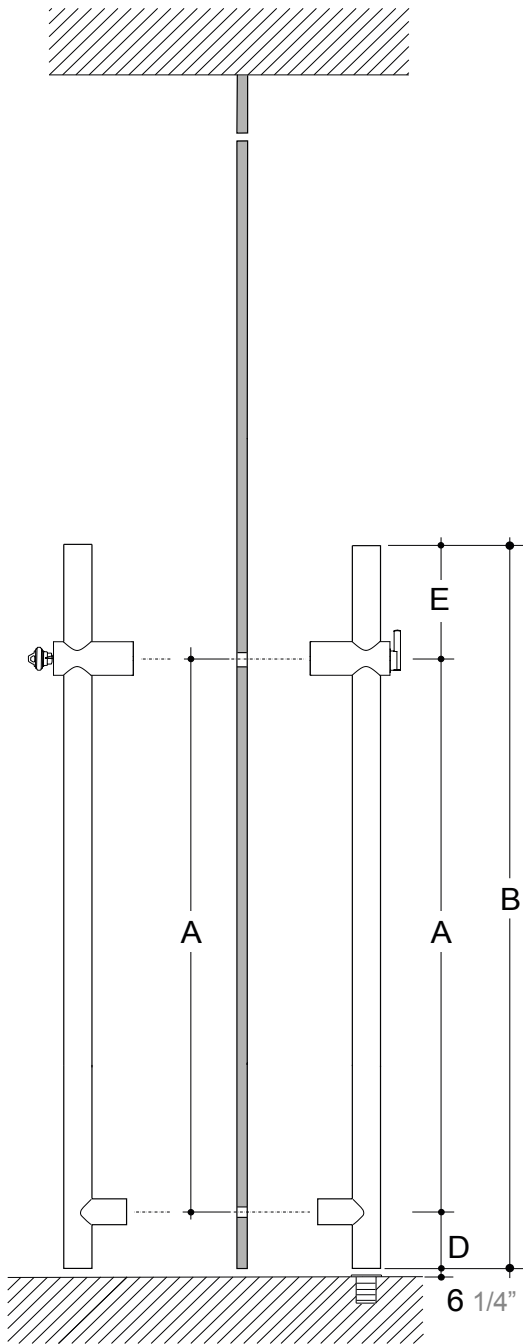
DP1 - DOOR PREPARATION FOR FULL SIZE LADDER PULLS LOCKING / NON LOCKING (KLO - KLA - KLR - KLP - KLU)

HOLES DIAMETERS AND CENTER TO CENTER SIZES
 INTERASSI E DIAMETRI FORI

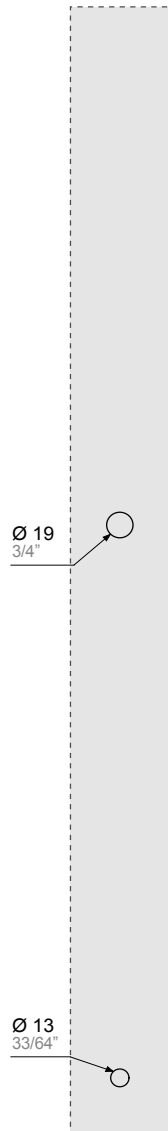


DP2 - DOOR PREPARATION FOR HALF SIZE LADDER PULLS LOCKING / NON LOCKING (KLO - KLA - KLR - KLP - KLU) WITH CYLINDER POST ON TOP

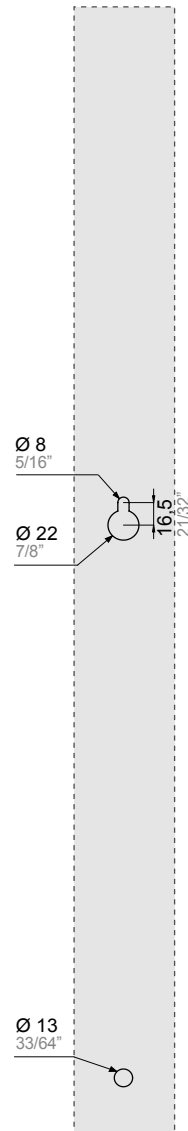
HOLES DIAMETERS AND CENTER TO CENTER SIZES
 INTERASSI E DIAMETRI FORI



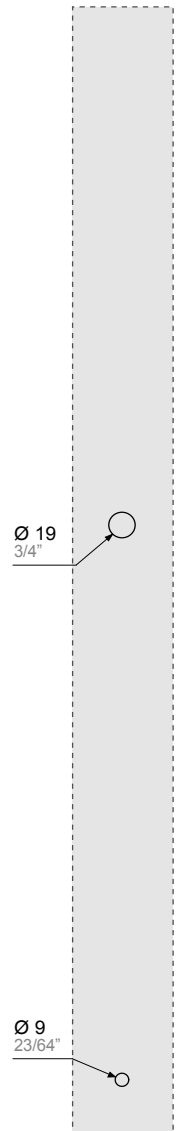
SINGLE GLASS
 DOOR PREP



DOUBLE GLASS
 DOOR PREP
 (FOR SPACER KITS)



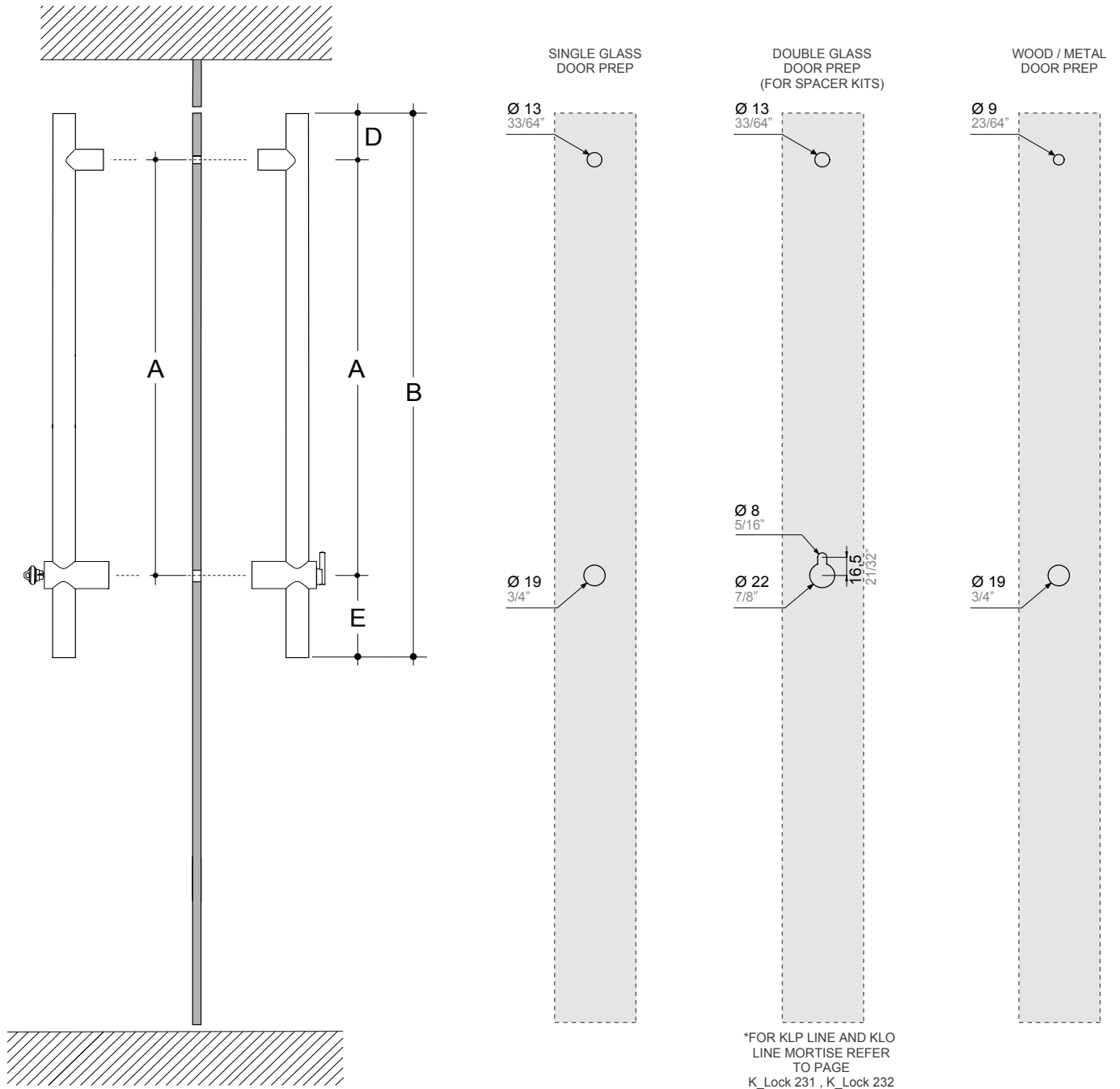
WOOD / METAL
 DOOR PREP



*FOR KLP LINE AND KLO
 LINE MORTISE REFER
 TO PAGE
 K_Lock 231 , K_Lock 232

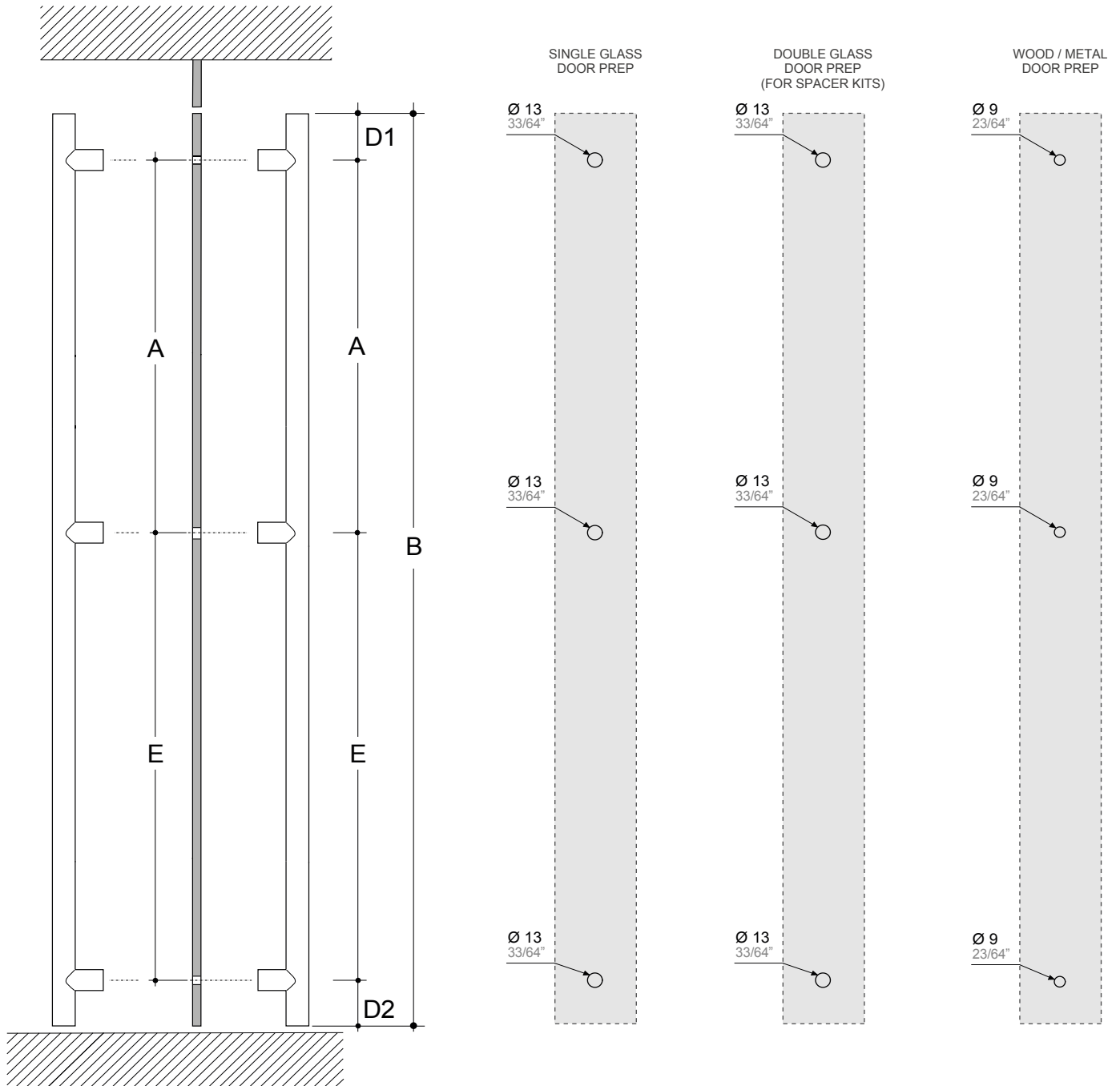
DP3 - DOOR PREPARATION FOR HALF SIZE LADDER PULLS LOCKING / NON LOCKING (KLO - KLA - KLR - KLP - KLU) WITH CYLINDER POST ON BOTTOM

HOLES DIAMETERS AND CENTER TO CENTER SIZES
 INTERASSI E DIAMETRI FORI



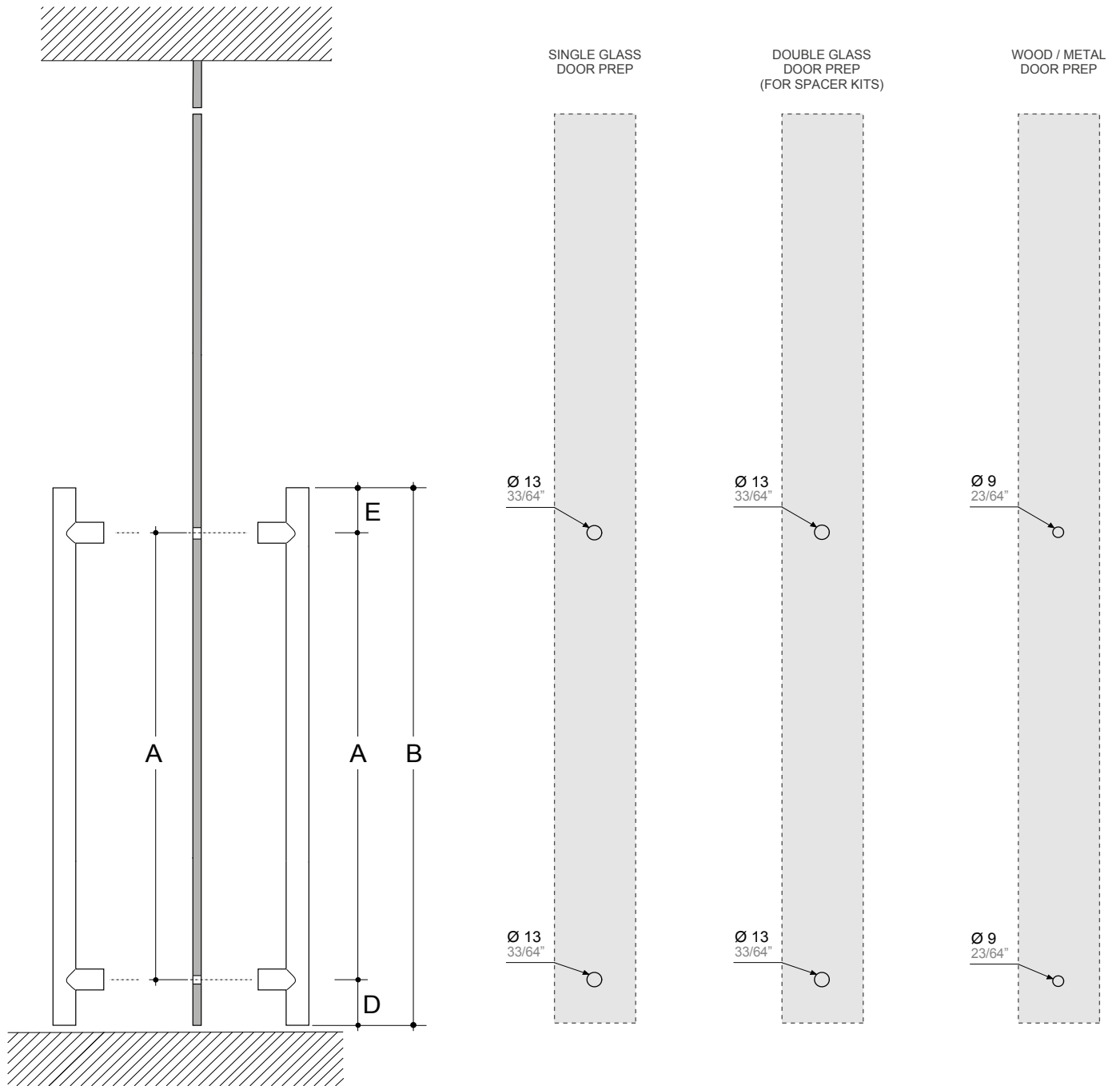
DP4 - DOOR PREPARATION FOR FULL SIZE LADDER PULLS NON LOCKING (ONLY ROUND POSTS)

HOLES DIAMETERS AND CENTER TO CENTER SIZES
 INTERASSI E DIAMETRI FORI



DP5 - DOOR PREPARATION FOR HALF SIZE LADDER PULLS NON LOCKING (ONLY ROUND POSTS)

HOLES DIAMETERS AND CENTER TO CENTER SIZES
 INTERASSI E DIAMETRI FORI

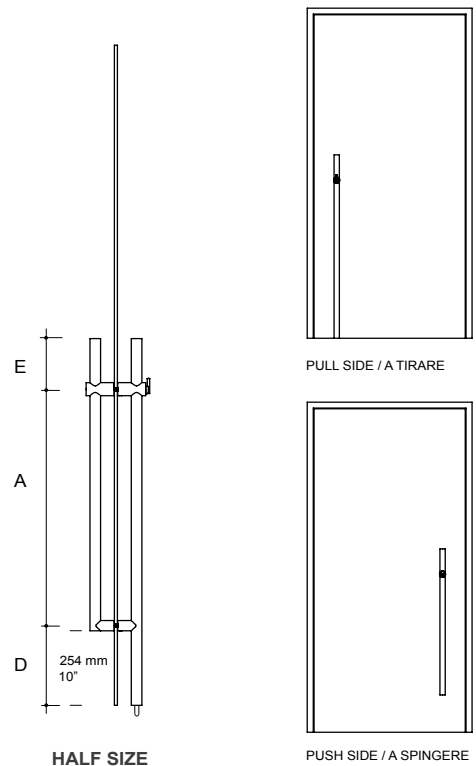
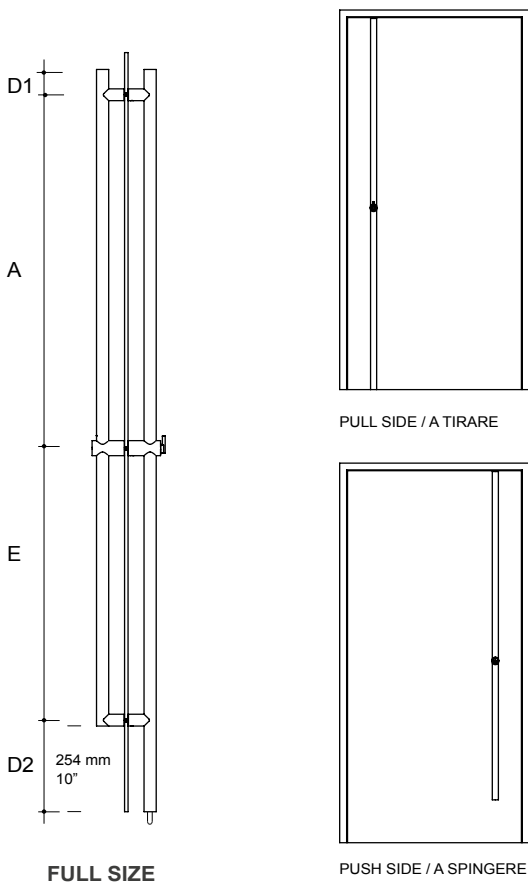
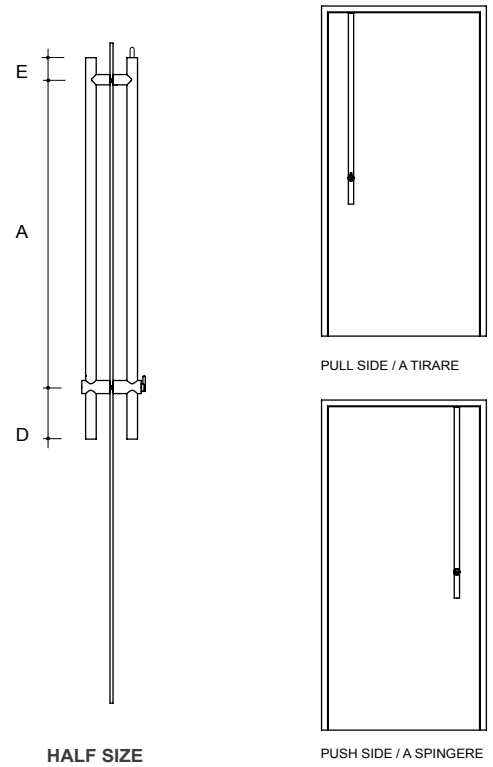
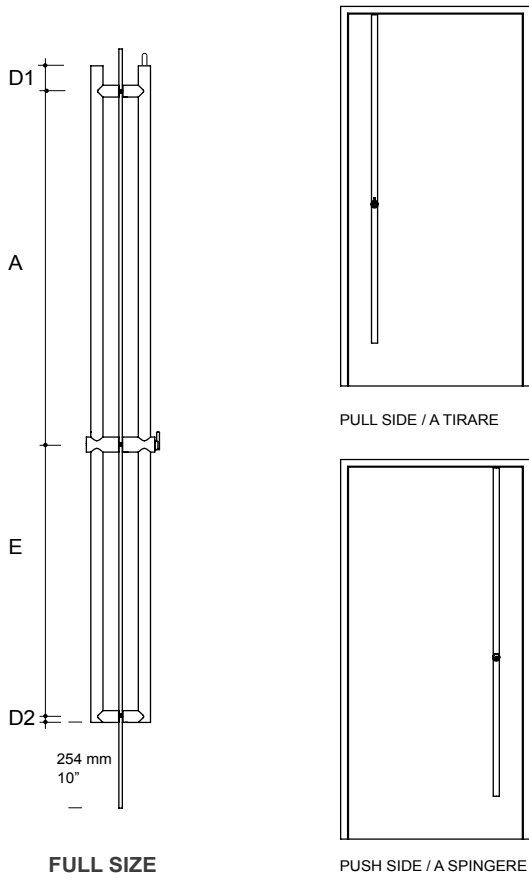


CONFIGURATION TO COMPLYE ADA STANDARD (254 mm - 10" clearance from the floor)

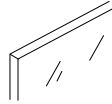
Final interpretation of ADA compliance is the responsibility of the specifier and should be determined relative to specific project conditions and local codes.

MANIGLIONI SECONDO NORMATIVA ADA (254 mm - 10" spazio libero da pavimento)

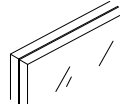
ADA
10"
clearance
Layout



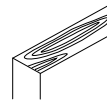
INSTALLATION ON ANY TYPE OF MATERIAL
 INSTALLAZIONE SU QUALSIASI MATERIALE



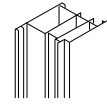
Glass doors
 Porte in vetro



Double glazed doors
 Porte doppio vetro

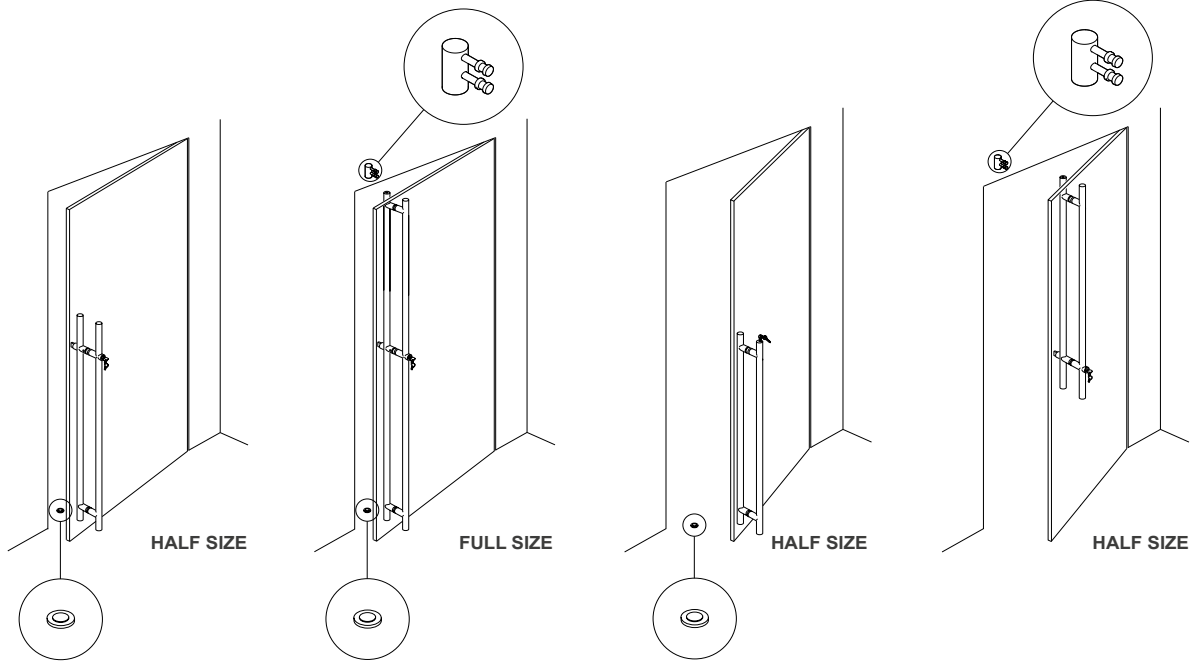
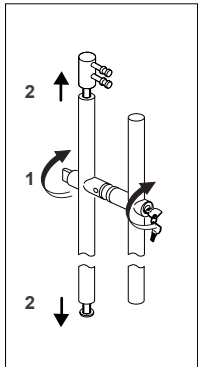


Wood doors
 Porte in legno

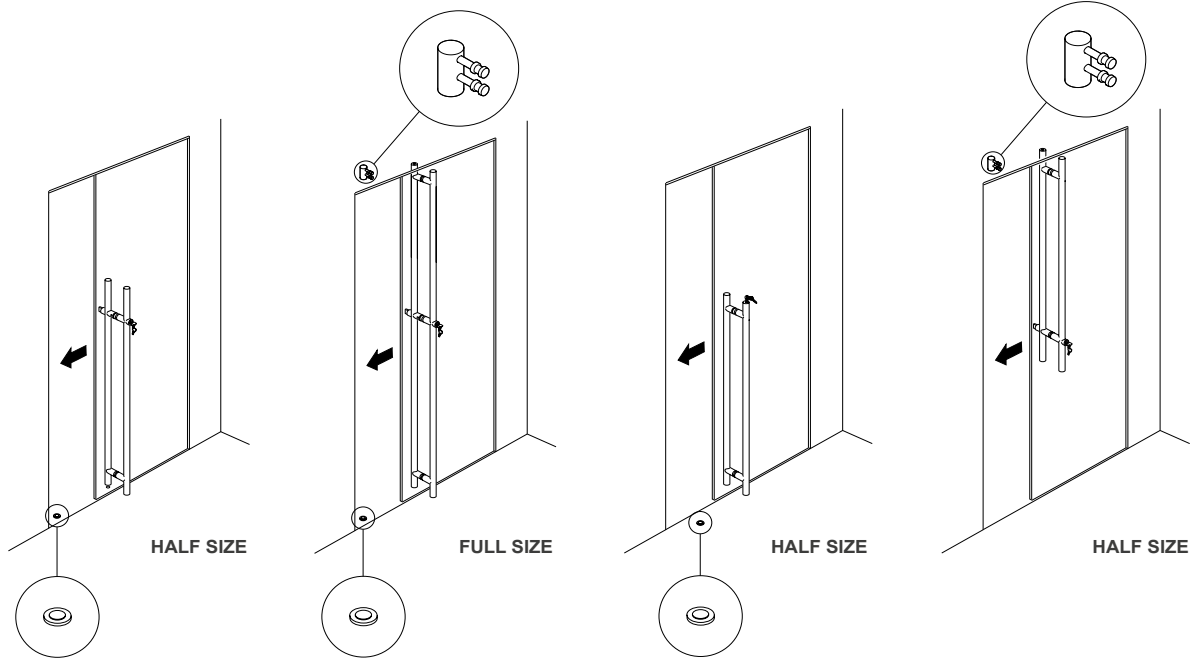
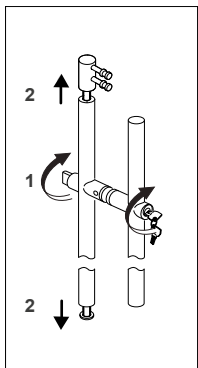


Metal doors
 Porte in metallo

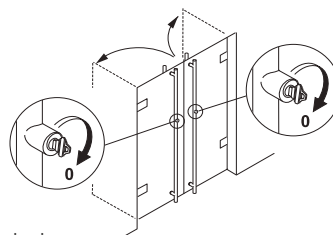
HINGED DOORS
 PORTE A BATTENTE



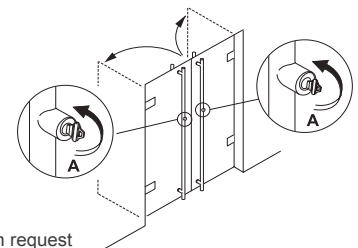
SLIDING DOORS
 PORTE SCORREVOLI



ROTATION OF THE KEY
 ROTAZIONE DELLA CHIAVE



Standard
 Standard



On request
 A richiesta

SINGLE-MOTION UNLOCKING DOOR PULL FOR SWING AND SLIDING DOORS

PATENT
no. 11,519,199

SINGLE
MOTION

A D A
< 5 lbf

UNLOCK AND OPEN DOOR
WITH A SINGLE MOVEMENT
USING THE ACTIVATION BAR

WITH THE DOOR LATCHED,
THE ACTIVATION BAR IS
OPERATED BY A FORCE
LOWER THAN 5 LBF (22 N)
UNTIL THE LOCKING BOLT IS
COMPLETELY RETRACTED (ADA
309.4 – OPERABLE PARTS AND
ANSI/BHMA A 156.3 REF. 8.2.1)



ACTIVATION BAR

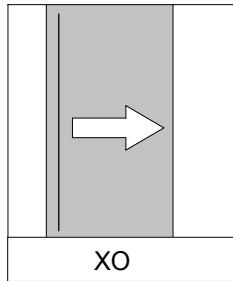


With the door latched, the activation bar is operated by a force lower than 5 lbf (22 N) until the locking bolt is completely retracted (ADA 309.4 – OPERABLE PARTS and ANSI/BHMA A 156.3 ref. 8.2.1).

Black Activation Bar - Polyamide-6 Black Caps
 Silver Activation Bar - Polyamide-6 Grey Caps
 On request: Champagne Activation Bar - Polyamide-6 Grey Caps

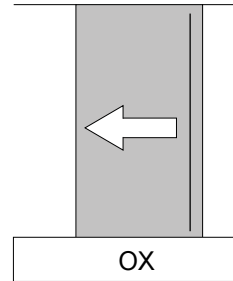
SLIDING DOOR HANDING

“HANDEDNESS” OF A SLIDING DOOR IS EXPRESSED AS SEEN BY AN OBSERVER OUTSIDE THE BUILDING. A LEFT-HANDED DOOR OPENS ON THE LEFT SIDE, AND A RIGHT-HANDED DOOR OPENS ON THE RIGHT. THESE RELATIONSHIPS ARE SOMETIMES DESCRIBED WITH THE LETTERS **O** AND **X**, WHERE **O** IS THE FIXED PANEL AND **X** IS THE SLIDING PANEL.



LEFT HANDED

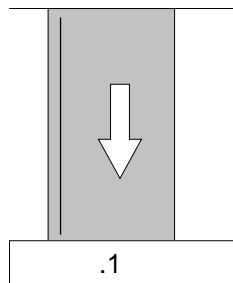
LEFT PANEL SLIDES RIGHT



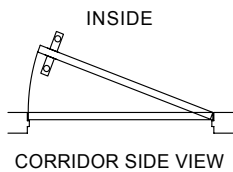
RIGHT HANDED

RIGHT PANEL SLIDES LEFT

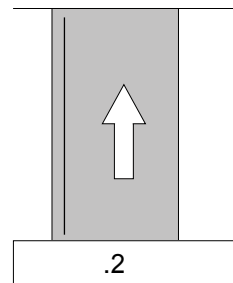
SWING DOOR



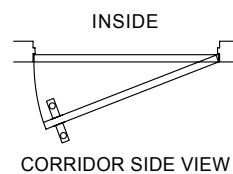
SWING - PULL



PULL TO EXIT (room side)
PUSH TO ENTER (corridor side)

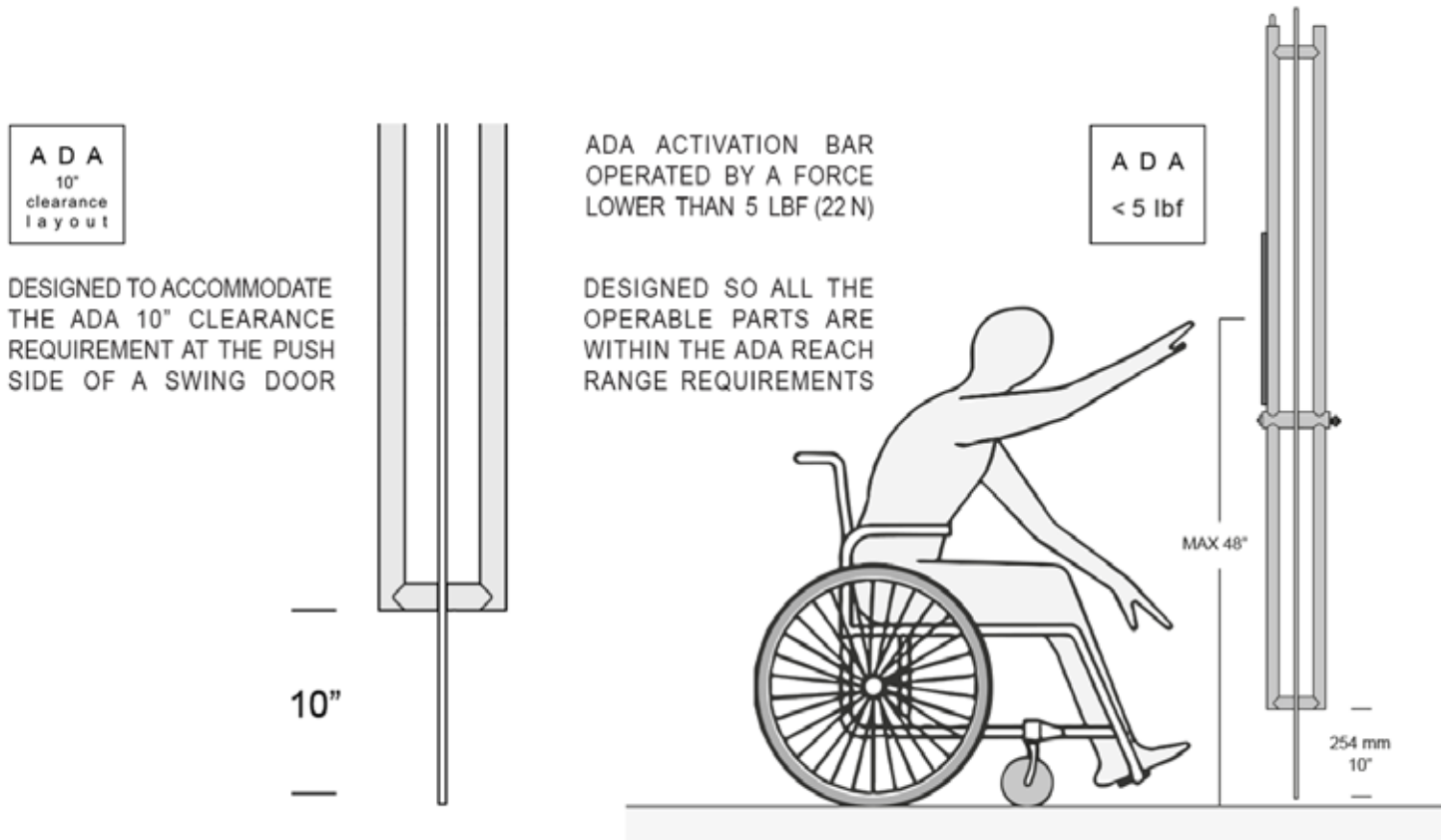


SWING - PUSH

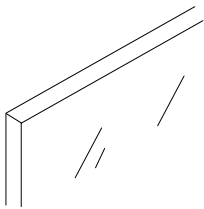


PUSH TO EXIT (room side)
PULL TO ENTER (corridor side)

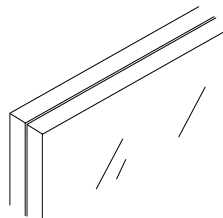
CONFIGURATION TO COMPLY WITH ADA STANDARD



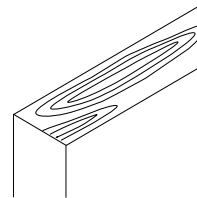
INSTALLATION ON ANY TYPE OF MATERIAL



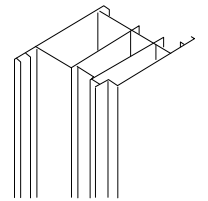
GLASS DOORS



DOUBLE GLAZED DOORS



WOOD DOORS



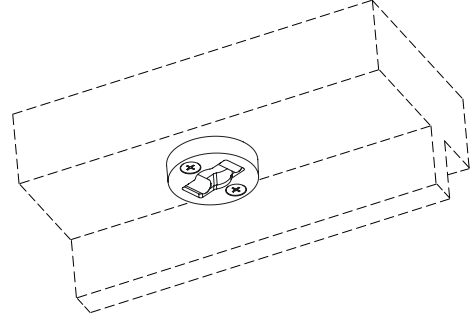
METAL DOORS

MANDATORY STRIKE WITH ROLLERS (INCLUDED)

TO ENSURE PROPER OPERATION, THE SINGLE MOTION UNLOCKING DOOR PULL SHOULD BE USED WITH THE pba "ROLLERS" STRIKE SHIPPED WITH THE PRODUCT. THE pba STRIKE SHOULD BE REVIEWED AND APPROVED BY THE DESIGN TEAM FOR USE WITH THE INTENDED DEMOUNTABLE PARTITION SYSTEM. WHEN REQUIRED, CUSTOM STRIKES ARE AVAILABLE TO ADAPT THE PULL TO VIRTUALLY ANY DEMOUNTABLE PARTITION SYSTEM. CONTACT PBA FOR MORE INFORMATION.

STANDARD:

STANDARD STRIKE WITH ROLLERS INCLUDED



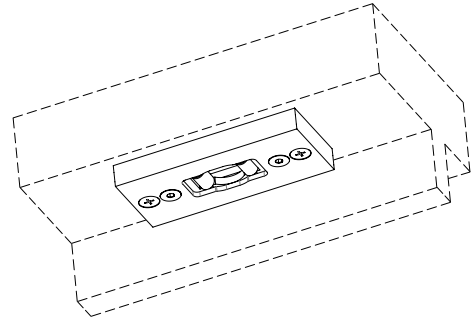
KLO.SKI.0001.40:
STANDARD STRIKE WITH ROLLERS FOR BLACK ANODIZED ALUMINUM SINGLE MOTION UNLOCKING DOOR PULL

KLO.SKI.0001.39:
STANDARD STRIKE WITH ROLLERS FOR BRONZE ANODIZED ALUMINUM SINGLE MOTION UNLOCKING DOOR PULL

KLO.SKI.0001.41:
STANDARD STRIKE WITH ROLLERS FOR SILVER ANODIZED ALUMINUM SINGLE MOTION UNLOCKING DOOR PULL

ON REQUEST:

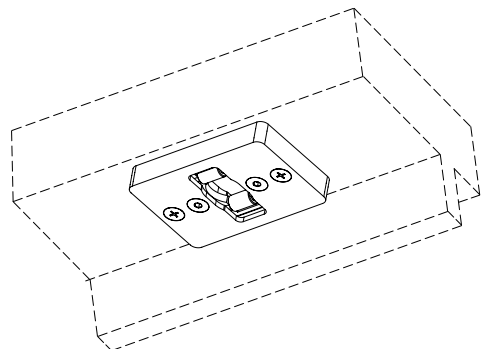
ADJUSTABLE TOP STRIKE PLATE IN 316L STAINLESS STEEL WITH ROLLERS



KLO.SKI.0002.44:
ADJUSTABLE STRIKE PLATE WITH ROLLERS FOR SLIDING DOORS

ON REQUEST:

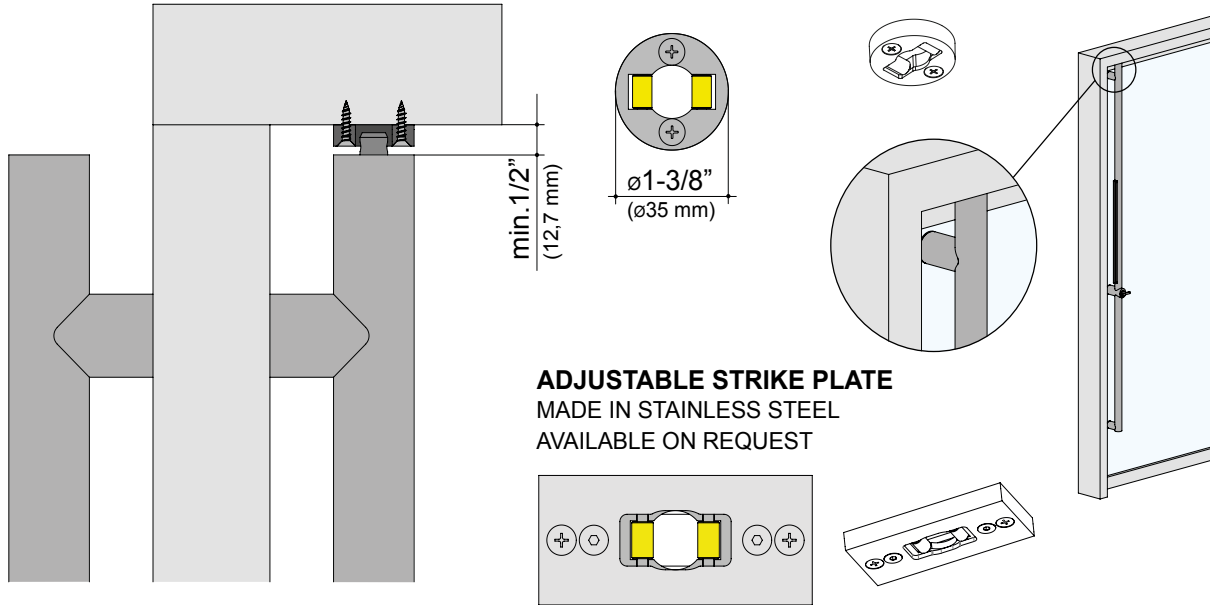
ADJUSTABLE TOP STRIKE PLATE IN 316L STAINLESS STEEL WITH ROLLERS



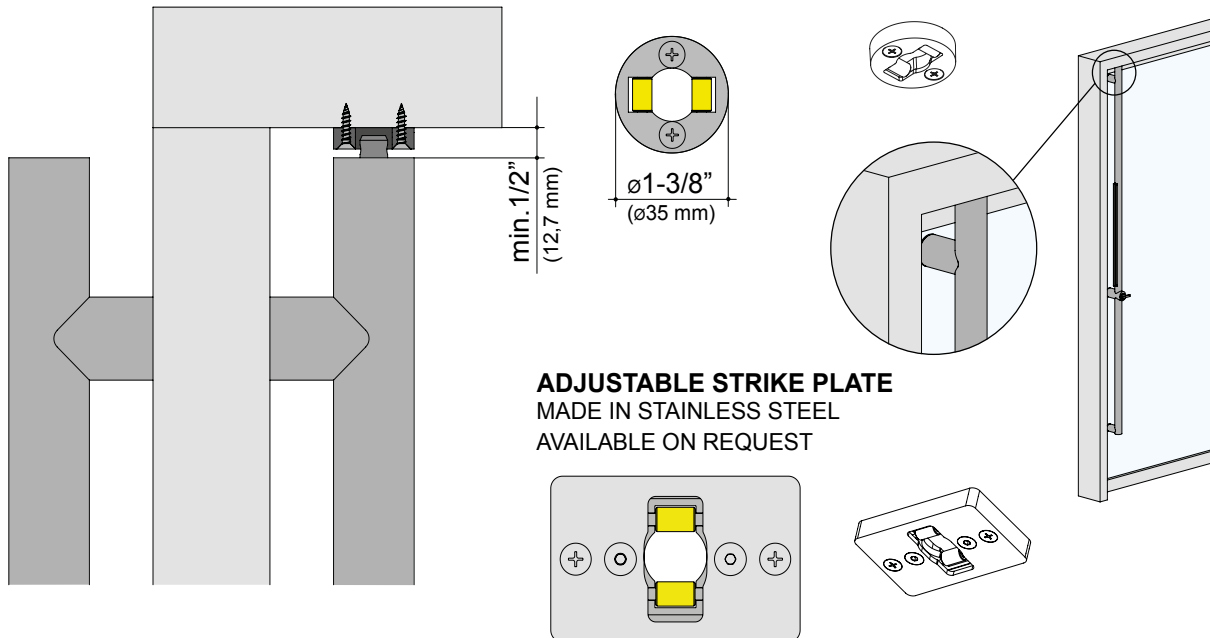
KLO.SKI.0005.44:
ADJUSTABLE STRIKE PLATE WITH ROLLERS FOR SWING DOORS

STRIKES OPTIONS FOR TOP LOCKING PULLS

STANDARD STRIKES FOR SLIDING DOORS INCLUDED



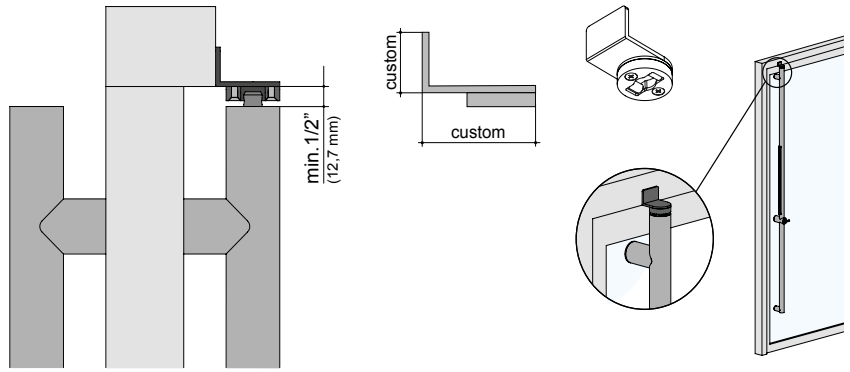
STANDARD STRIKES FOR SWING DOORS INCLUDED



STRIKES OPTIONS FOR TOP LOCKING PULLS

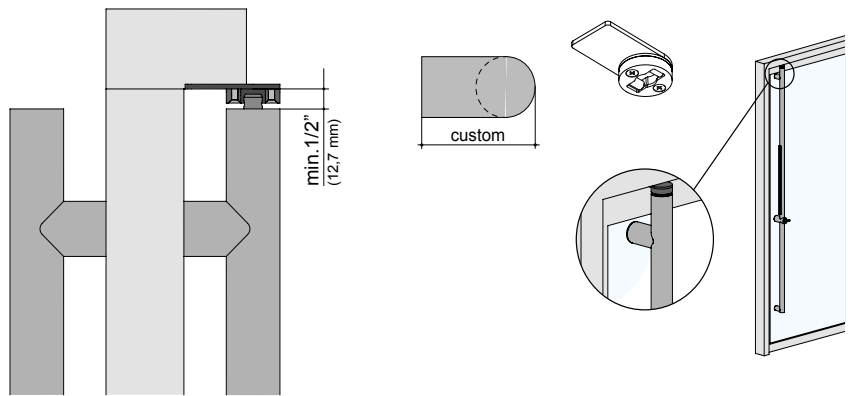
**CUSTOM "L" STRIKE PLATE
IN 316L STAINLESS STEEL**
ON REQUEST

KLO.SKI.9993



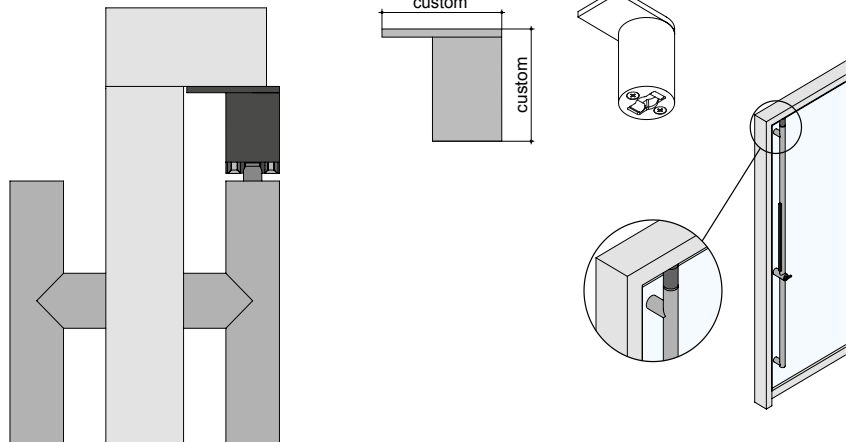
**CUSTOM STRAIGHT STRIKE PLATE
IN 316L STAINLESS STEEL**
ON REQUEST

KLO.SKI.9994



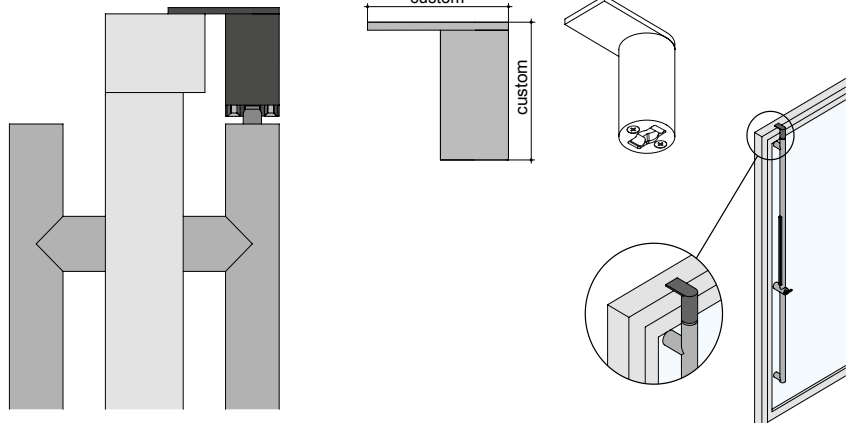
**CUSTOM STRAIGHT TUBULAR STRIKE
IN 316L STAINLESS STEEL**
ON REQUEST

Frame Installation



**CUSTOM STRAIGHT TUBULAR STRIKE
IN 316L STAINLESS STEEL**
ON REQUEST

Ceiling Installation

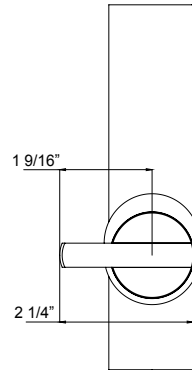


ADA COMPLIANT THUMBTURN

STANDARD:
ADA 1-9/16" COMPLIANT THUMBTURN



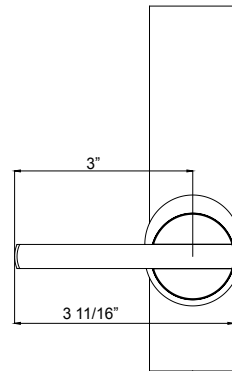
STANDARD
ALUMINUM



ON REQUEST:
ADA 3" COMPLIANT THUMBTURN

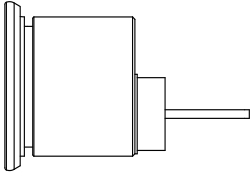


ON REQUEST
ALUMINUM

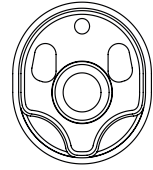


CYLINDER OPTIONS

RIM CYLINDERS - FOR ALUMINUM LOCKING LADDER PULLS



PBA UNIVERSAL BACKPLATE INCLUDED WITH LOCKING PULL
 ALLOWS TO ACCOMMODATE ANY RIM CYLINDER BRAND OR FORMAT



AVAILABLE FORMATS:



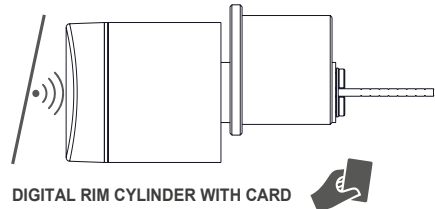
CONVENTIONAL



HOUSING FOR SFIC



HOUSING FOR LFIC



DIGITAL RIM CYLINDER WITH CARD

CONVENTIONAL RIM CYLINDER

CIL.RIM.0001.00
 ILCO RIM CYLINDER

OTHER BRANDS AVAILABLE ON REQUEST:
 ARROW - CORBIN RUSSWIN - KABA - MEDECO - SCHLAGE - SARGENT - YALE



HOUSING FOR SFIC

CIL.HOU.RS01.00
 SCHLAGE SFIC RIM HOUSING

OTHER BRANDS AVAILABLE ON REQUEST:
 ARROW - CORBIN RUSSWIN - KABA - ILCO - MEDECO - SARGENT - YALE



HOUSING FOR LFIC

CIL.HOU.RL01.00
 SCHLAGE FSIC RIM HOUSING

OTHER BRANDS AVAILABLE ON REQUEST:
 ARROW - CORBIN RUSSWIN - KABA - ILCO - MEDECO - SARGENT - YALE



CORE FOR SFIC HOUSING AND FSIC HOUSING

BRAND OF COMPATIBLE CORE FOR SFIC AND LFIC ON REQUEST:
 ARROW - CORBIN RUSSWIN - KABA - ILCO - MEDECO - SCHLAGE - SARGENT - YALE

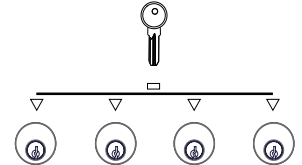
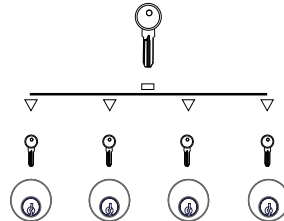
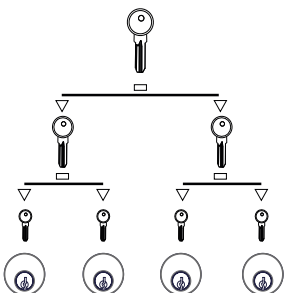


DIGITAL RIM CYLINDER WITH CARD

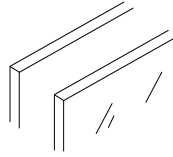
SUGGESTED BRAND:
 SALTO Neo
 SALTO Geo



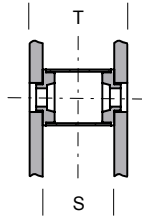
SPECIAL APPLICATION WITH KEY SYSTEM ON REQUEST



SPACERS FOR DOUBLE GLAZED DOOR



Double glazed doors

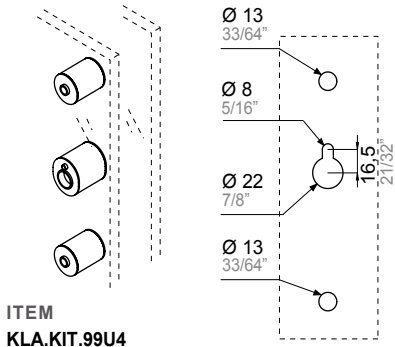


T = custom
S = custom

OVAL + ROUND SPACERS

KLA LINE RIM - SPACERS FOR ALUMINIUM Ø37 LOCKING AND NON LOCKING PULLS

1 OVAL POST (CENTER) + 2 Ø35 ROUND POSTS (TOP/BOTTOM)

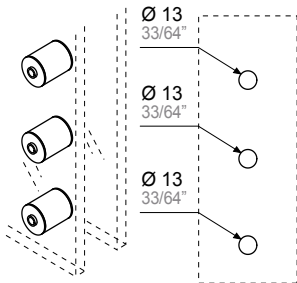


ITEM
KLA.KIT.99U4

ROUND SPACERS

SPACERS FOR ALUMINIUM NON LOCKING PULLS

3 ROUND POSTS

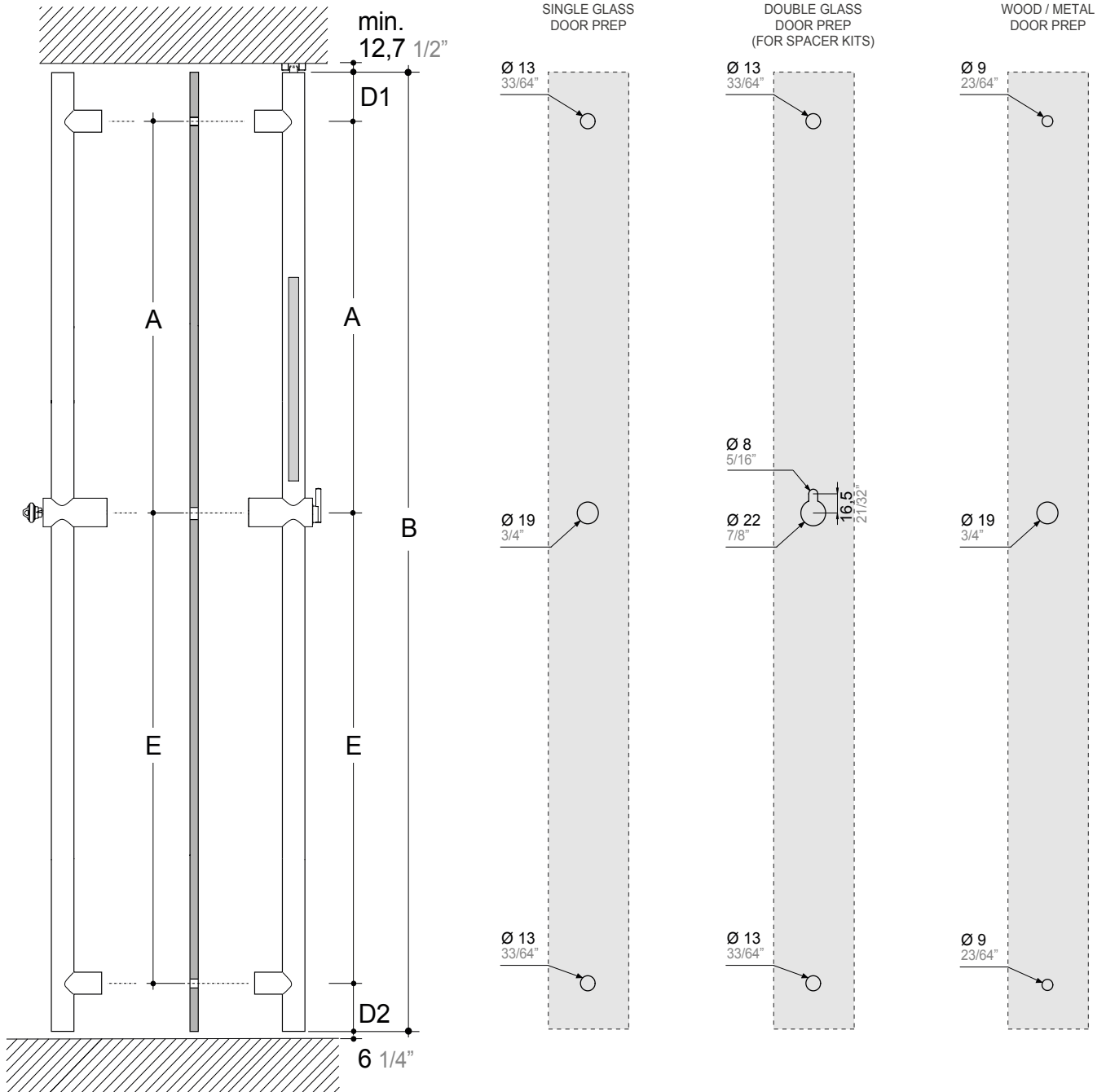


ITEM
2AT.KIT.9910

Ø
35 mm

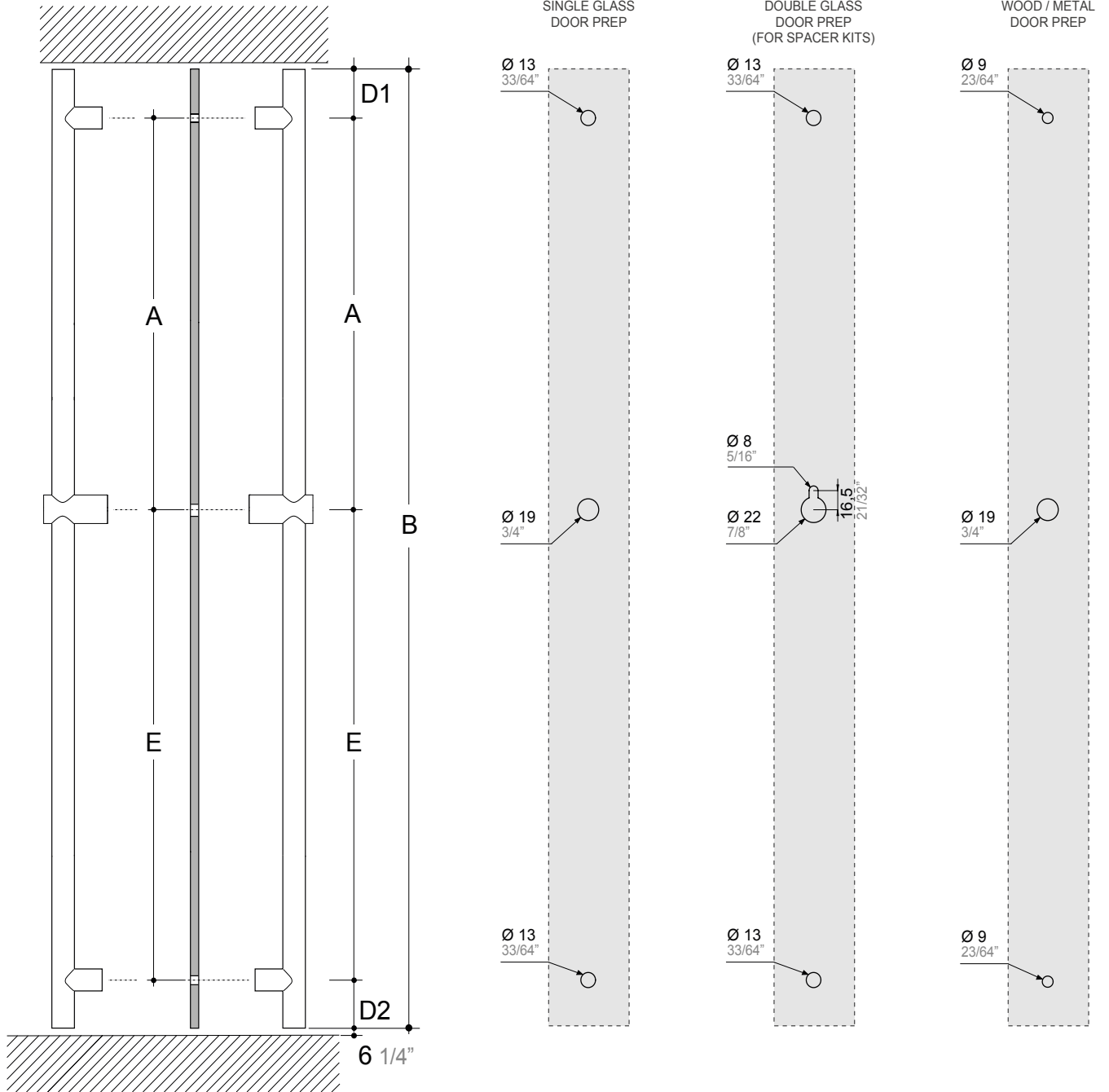
DP6 - DOOR PREPARATION FOR FULL SIZE SINGLE-MOTION UNLOCKING DOOR PULLS

HOLES DIAMETERS AND CENTER TO CENTER SIZES



DP1 - DOOR PREPARATION FOR FULL SIZE LADDER PULLS NON LOCKING

HOLES DIAMETERS AND CENTER TO CENTER SIZES



DP4 - DOOR PREPARATION FOR FULL SIZE LADDER PULLS NON LOCKING (ONLY ROUND POSTS)

HOLES DIAMETERS AND CENTER TO CENTER SIZES

